

Model	Year	MG	SG	Illustration	Restrictions	Update	10:02	18.08.2004
997	05	0	01	1-00		179		

Pos	Part Number	Name	Remarks	Qty	Model
-	997 721 115 00	tool jack		1	
-	-	tool kit with contents comprising:		1	
-	-	double-end spanner 10 X 13		1	
-	-	screw driver		1	
-	-	handle for screw driver		1	
-	999 571 077 02	socket wrench - 5 - for headlamp		1	
-	996 721 211 00	scissors type jack		1	I447
-	996 722 101 00	foam part		1	I447
-	999 571 074 30	threaded bolt for assembly wheels		1	I447
-	997 721 551 00	towing lug		1	
-	000 722 722 05	warning triangle		1	
-	993 722 041 00	first-aid kit		1	
		- - - E N D - - -			

PORSCHE

PET

PORSCHE

Model	Year	MG	SG	Illustration	Restrictions	Update	10:03	18.08.2004
997	05	0	01	1-05		179		

Pos	Part Number	Name	Remarks	Qty	Model
		stickers			
		stickers emergency wheel		1	I447
2	996 361 701 20	sticker english		1	(AUS)
2	928 701 150 00	sticker "MAX 80 KM/H"		1	
		stickers engine specifications			
3	997 006 107 00	sticker	05	1	CARRERA(AUS)
3	997 006 107 01	sticker	05	1	CARRERA S (AUS)
3	996 006 108 00	sticker		1	I068
4	996 006 120 00	indication sticker expansion tank coolant		1	
5	993 006 544 01	sticker engine oil - MOBIL 1 -		1	
		stickers type of fuel			
6	996 006 117 00	sticker 98 ROZ		1	
6	996 006 117 02	sticker 96 ROZ		1	(AUS)
6	996 006 117 01	sticker 98 ROZ		1	I150
6	996 006 117 03	sticker 93 RON/MON/2		1	(J)
		stickers airbag			
8	3B0 010 219 B	sticker child car seat		1	
8	997 701 430 00	sticker child car seat german		1	
8	997 701 430 01	sticker child car seat english		1	
8	997 701 430 02	sticker child car seat french		1	

PORSCHE

PET

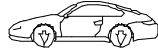
PORSCHE

Model	Year	MG	SG	Illustration	Restrictions	Update	10:03	18.08.2004
997	05	0	01	1-05		179		

Pos	Part Number	Name	Remarks	Qty	Model
8	997 701 430 03	sticker child car seat italian		1	
8	997 701 430 04	sticker child car seat swedish		1	
8	997 701 430 05	sticker child car seat spanish		1	
8	997 701 430 06	sticker child car seat arabic		1	
11	996 701 141 01	sticker air conditioner		1	
12	997 701 170 00	sticker first-aid kit		1	
- - - E N D - - -					

Model	Year	MG	SG	Illustration	Restrictions	Update	10:03	18.08.2004	PORSCHE	PET	PORSCHE
997	05	0	04	4-00		179					

Color 234 L161 Turbo Interic



Made in Germany

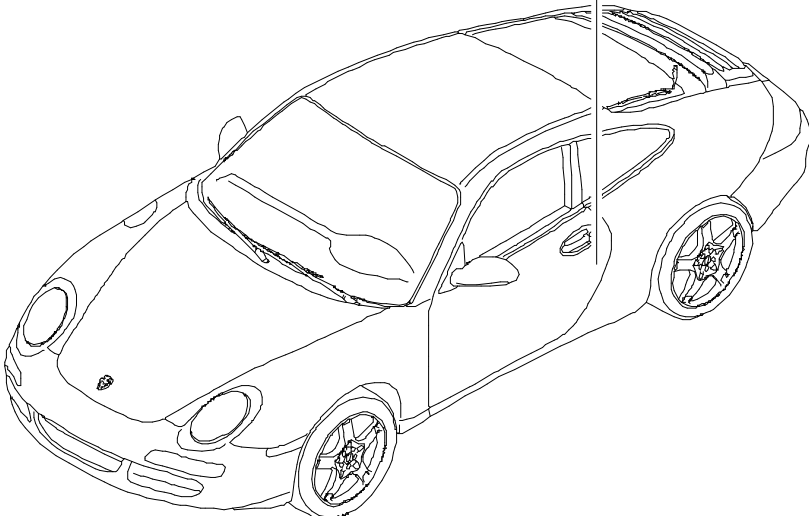
Reifenfülldruck kalte Reifen (20°). Nur Porsche freigegebene Reifen verwenden. Bei Reifenpanne siehe Fahrzeug Bedienungsanleitung.

Cold tyre inflation pressure (20°). Use only tyres released by Porsche. In case of tyre trouble see Operating Instructions.

Pression des pneus froids (20°). N'utilisez que des pneus autorisés par Porsche. En cas de crevaisson d'un pneu consulter les Instructions de service.

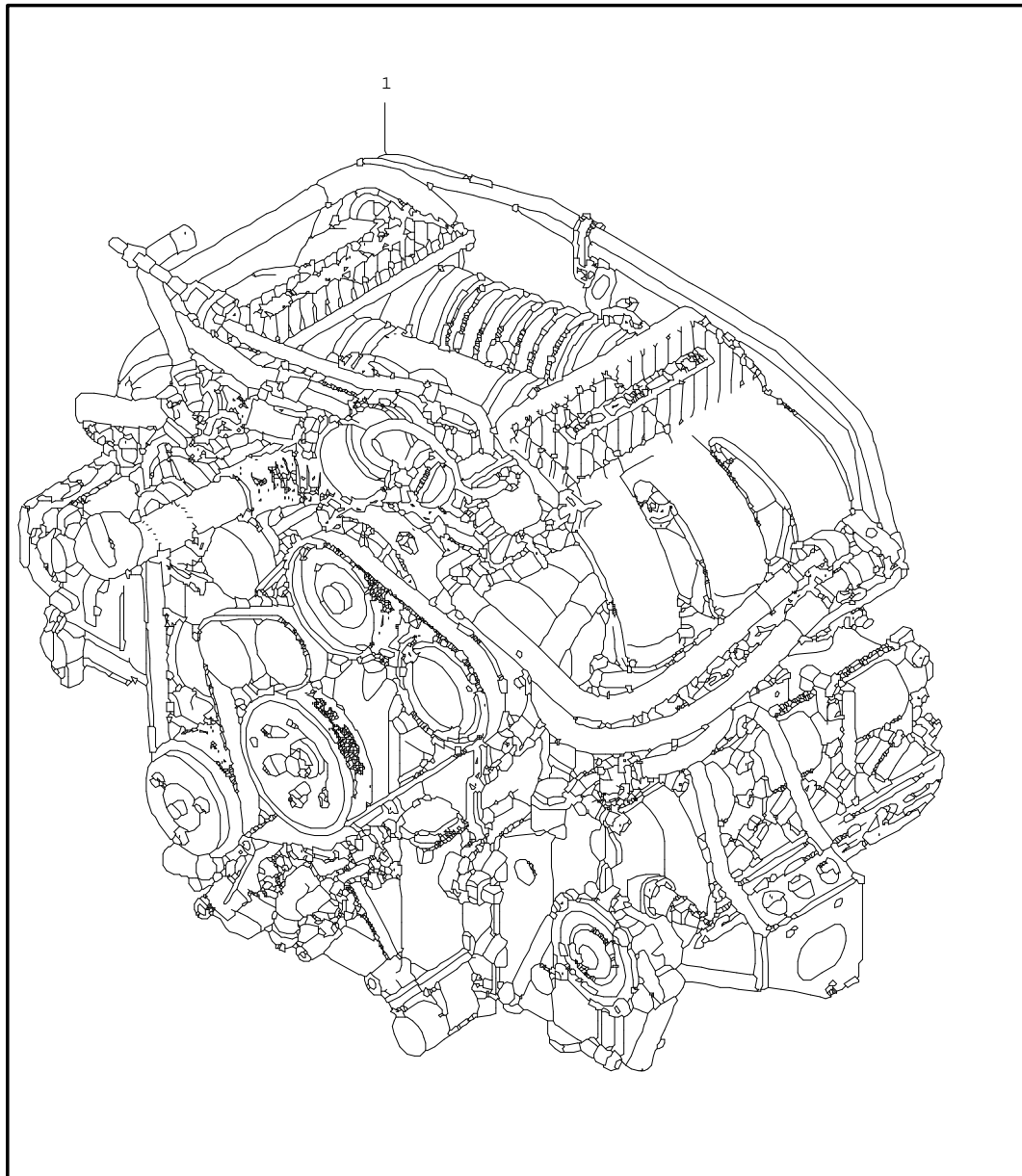
Presión de neumáticos fríos (20°). Utilice únicamente neumáticos homologados por Porsche. En caso de pinchazo de neumático consulte las instrucciones de servicio del automóvil.

Pressione pneumatici freddi (20°). Usare soltanto pneumatici omologati da Porsche. In caso di foratura vedere libretto uso e manutenzione.



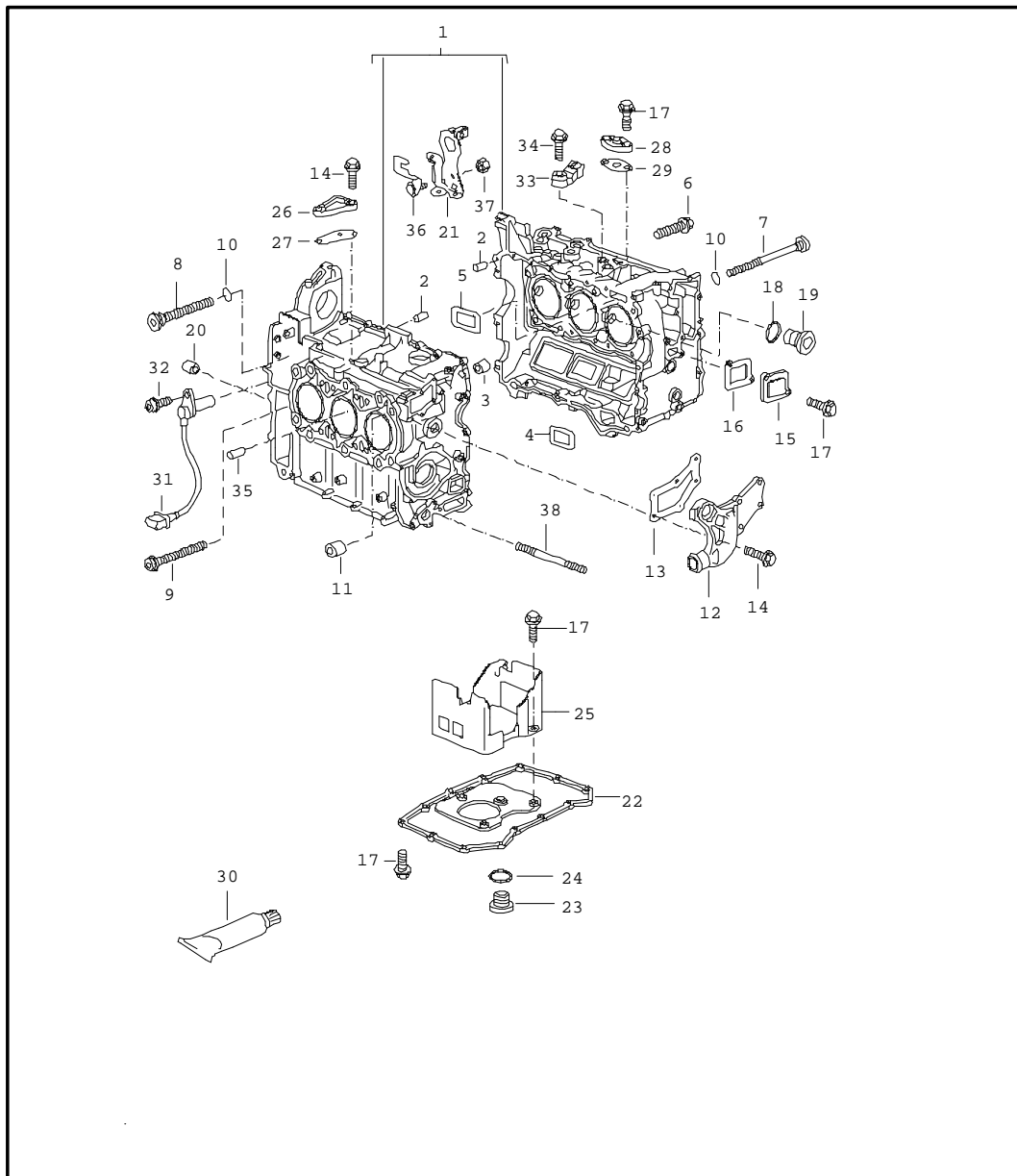
Pos	Part Number	Name	Remarks	Qty	Model
-	911 095 932 20	paint touch-up applicator lacquers		X	
	719	black		A	1
	80K	guards red		G	1
	B9A	carrara white		B	4
	12G	speed yellow		X	4
-	911 095 933 20	paint touch-up applicator set comprising: paint touch-up applicator primer paint touch-up applicator clear lacquer		X	
	92T	arctic silver metallic		X	1
	M3W	carmon red metallic		E	4
	M5W	lapis blue metallic		J	2
	M6W	lagoon green metallic		G	4
	C9Z	basalt black metallic		Z	4
	M7X	atlas grey metallic		E	7
	37W	midnight blue metallic		E	9
	6B5	seal grey metallic		Y	1
	22E	forest green metallic			53
	37U	cobalt blue metallic			56
	22D	slate grey metallic			59
	M7Z	gt silver metallic		U	2
	M6X	dark olive-metallic			7 G
		- - - E N D - - -			

Model	Year	MG	SG	Illustration	Restrictions	Update	10:03	18.08.2004	PORSCHE	PET	PORSCHE
997	05	1	01	101-00		179					



Pos	Part Number	Name	Remarks	Qty	Model
		replacement engine			M97.01 M96.05
		without drive plate tiptronic without flywheel manual transmission without compressor			
1	997 100 997 00	replacement engine	I 480	1	M97.01
1	997 100 997 01	replacement engine	I 249	1	M97.01
(1)	996 100 996 21	replacement engine	I 480	1	M96.05
(1)	996 100 996 22	replacement engine	I 249	1	M96.05
		- - - E N D - - -			

Model	Year	MG	SG	Illustration	Restrictions	Update	10:04	18.08.2004	PORSCHE	PET	PORSCHE
997	05	1	01	101-05		179					

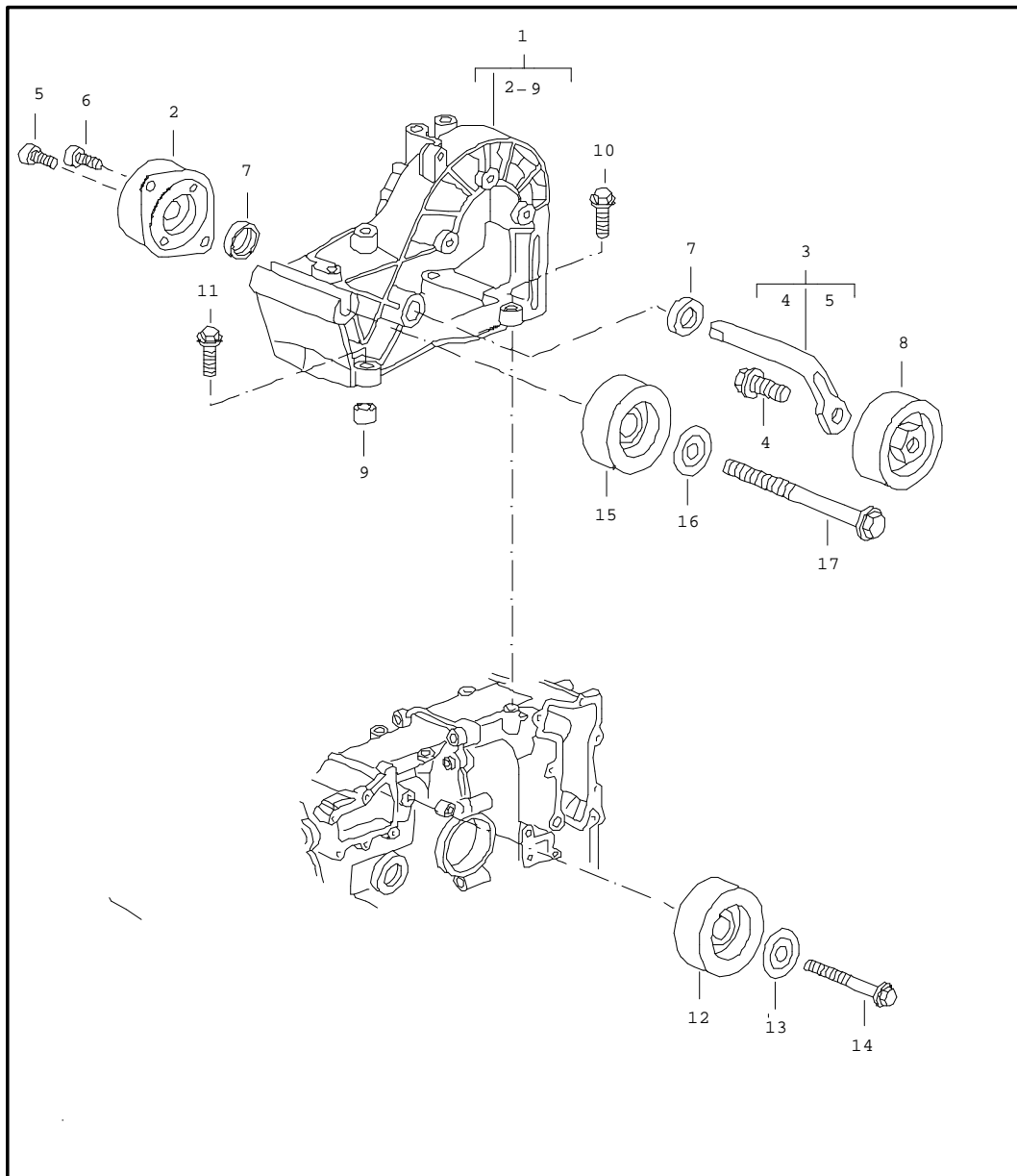


Pos	Part Number	Name	Remarks	Qty	Model
		crankcase			M97.01 M96.05
1	997 101 001 06	crankcase		1	M97.01
		use also:		1	
		996 101 007 03		6	
		996 101 018 51			
(1)	996 101 901 07	crankcase		1	M96.05
2	999 012 049 00	straight pin		3	
3	996 101 253 52	dowel sleeve		3	
4	996 101 361 51	gasket		1	
5	996 101 363 50	gasket		1	
6	900 385 270 04	hexagon-head bolt M 6 X 35		22	
7	996 101 219 52	screw 9 X 150		1	
8	996 101 229 00	screw M 9 X 94		1	
9	996 101 203 00	screw M 9 X 94		1	
10	999 701 789 40	o-ring 12 X 2		2	
		use also:			
		grease		1	
		999 917 560 00			
11	999 095 043 01	dowel sleeve 17P 6 X 18,5		4	
12	996 101 021 51	cover		1	
13	996 101 331 50	gasket		1	
14	900 385 019 04	hexagon-head bolt M 6 X 20		6	
15	996 101 016 00	cover		1	
16	996 101 336 50	gasket		1	
17	900 385 009 09	pan-head screw BM 6 X 16		5	

Model	Year	MG	SG	Illustration	Restrictions	Update	10:04	18.08.2004	PORSCHE	PET	PORSCHE
997	05	1	01	101-05		179					

Pos	Part Number	Name	Remarks	Qty	Model	Pos	Part Number	Name	Remarks	Qty	Model
18	900 123 147 30	sealing ring A 27 X 32		1		38	999 218 110 09	stud M 10 X 102		4	
19	900 219 017 30	screw plug M 27 X 2		1		39	999 036 005 02	cover B 50		2	
20	014 301 153 B	dowel sleeve 13 X 16 X13,5		2		40	900 385 094 09	pan-head screw M 6 X 35		2	
21	996 101 213 57	holder		1		41	900 385 019 09	pan-head screw M 6 X 20		13	
22	996 107 031 56	oil pan		1							
23	900 219 009 30	screw plug M 18 X 1,5		1							
24	900 123 106 30	sealing ring A 18 X 24		1							
25	997 107 243 00	bulkhead		1							
26	996 113 140 53	cover		1							
27	996 113 233 50	gasket		1							
28	996 113 340 50	cover		1							
29	996 113 213 51	gasket		1							
30	000 043 203 73	sealing compound 30 ML		X							
(30)	000 043 204 35	sealing compound 50 ML		X							
31	986 606 112 03	pulse sender		1							
32	999 218 005 02	pan-head screw M 6 X 16		1							
33	996 606 125 00	knock sensor		2							
34	900 378 108 09	hexagon-head bolt AM 8 X 35		2							
35	900 095 137 01	roll pin 5,0 X 12		2							
36	996 101 613 50	support		1	I 249						
37	900 377 010 09	hexagon nut M 6		1	I 249						
								- - - E N D - - -			

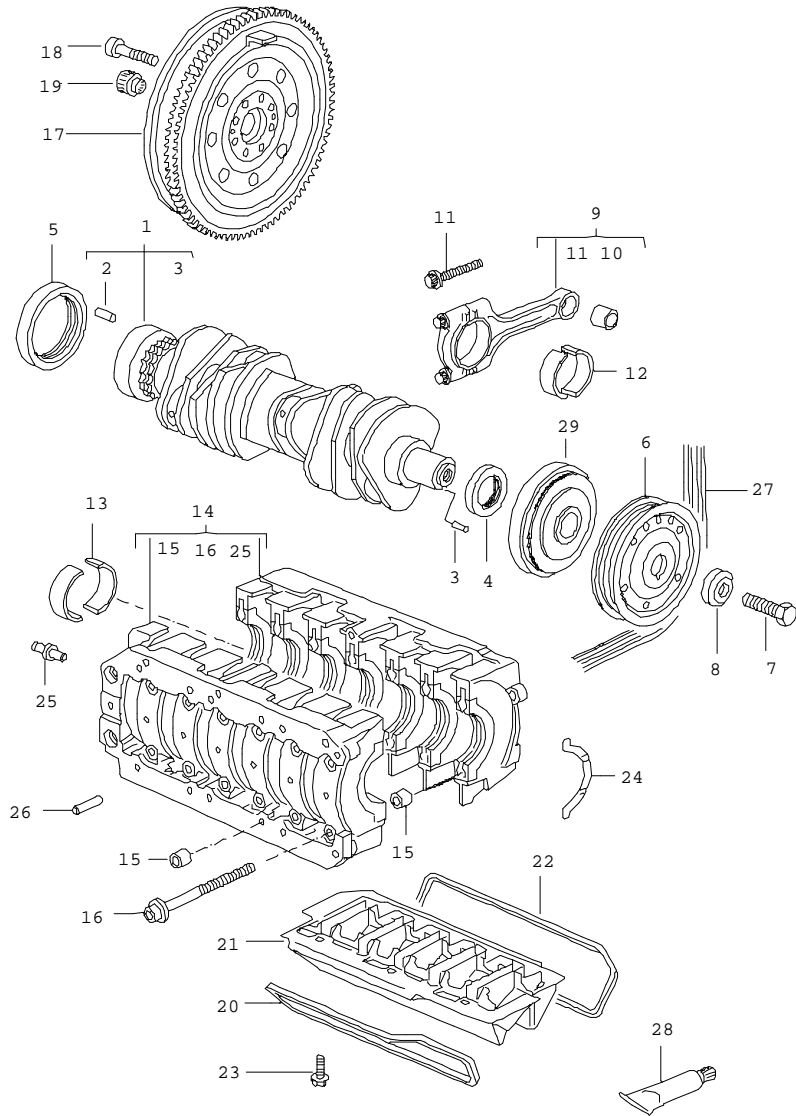
Model	Year	MG	SG	Illustration	Restrictions	Update	10:04	18.08.2004	PORSCHE	PET	PORSCHE
997	05	1	01	101-10		179					



Pos	Part Number	Name	Remarks	Qty	Model
		belt tensioner belt drive			M97.01 M96.05
1	997 102 026 00	bracket		1	
2	997 102 260 00	tensioner		1	
3	996 102 360 51	lever		1	
4	999 072 041 09	hexagon-head bolt M 10 X 30		1	
5	900 067 117 03	pan-head screw M 6 X 16		1	
6	999 067 045 09	pan-head screw M 8 X 22		2	
7	996 102 365 50	dust boot		2	
8	997 102 117 00	tensioning roller		1	
9	999 095 064 00	dowel sleeve 12 M 6 X 13		2	
10	900 385 090 04	hexagon-head bolt M 8 X 35		4	
11	997 102 119 00	deflection roller		1	
12	900 385 091 04	hexagon-head bolt M 8 X 60		1	
13	997 102 118 00	deflection roller		1	
14	900 378 181 09	pan-head screw M 10 X 145		1	
		- - - E N D - - -			



Model	Year	MG	SG	Illustration	Restrictions	Update	10:05	18.08.2004	PORSCHE	PET	PORSCHE
997	05	1	02	102-00		179					

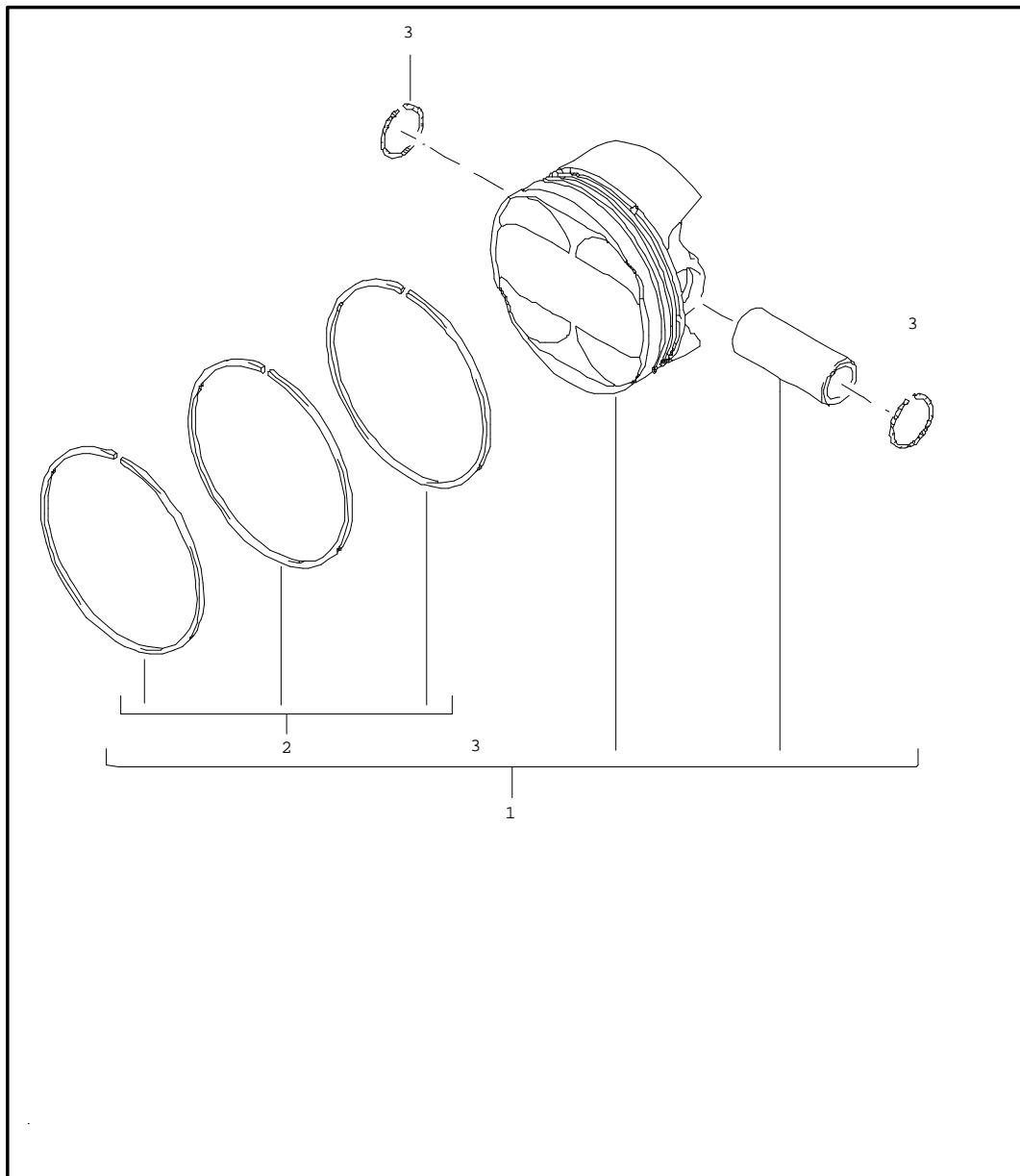


Pos	Part Number	Name	Remarks	Qty	Model
		crankshaft			M97.01 M96.05
1	996 102 012 04	crankshaft		1	
2	900 095 031 01	roll pin 6,0 X 16		1	
3	900 302 021 00	straight pin A 4,0 X 10		1	
4	999 113 475 40	shaft seal 40 X 62 X 10		1	
5	948 101 212 02	shaft seal 85 X 105 X 11		1	
6	997 102 203 00	washer		1	
7	997 102 202 00	screw pulley		1	
8	996 102 315 50	thrust washer		1	
9	996 103 985 02	1 set connecting rods comprising: 6 connecting rods		1	
10	996 103 111 51	connecting rod bush		6	
11	997 103 115 01	connecting rod bolt		12	
12	996 103 121 62	connecting-rod bearing		12	
13	996 101 209 04	crankshaft bearing		14	
(14)	996 101 007 06	gear carrier use also: 996 101 018 51		1 6	
15	999 095 064 00	dowel sleeve 12 M 6 X 13		3	
16	996 101 115 59	screw M 9 X 127		14	
17	997 114 012 00	double-mass flywheel		1	
18	999 073 092 09	pan-head screw M 10 X 1 X 50		8	

Model	Year	MG	SG	Illustration	Restrictions	Update	10:05	18.08.2004	PORSCHE	PET	PORSCHE
997	05	1	02	102-00		179					

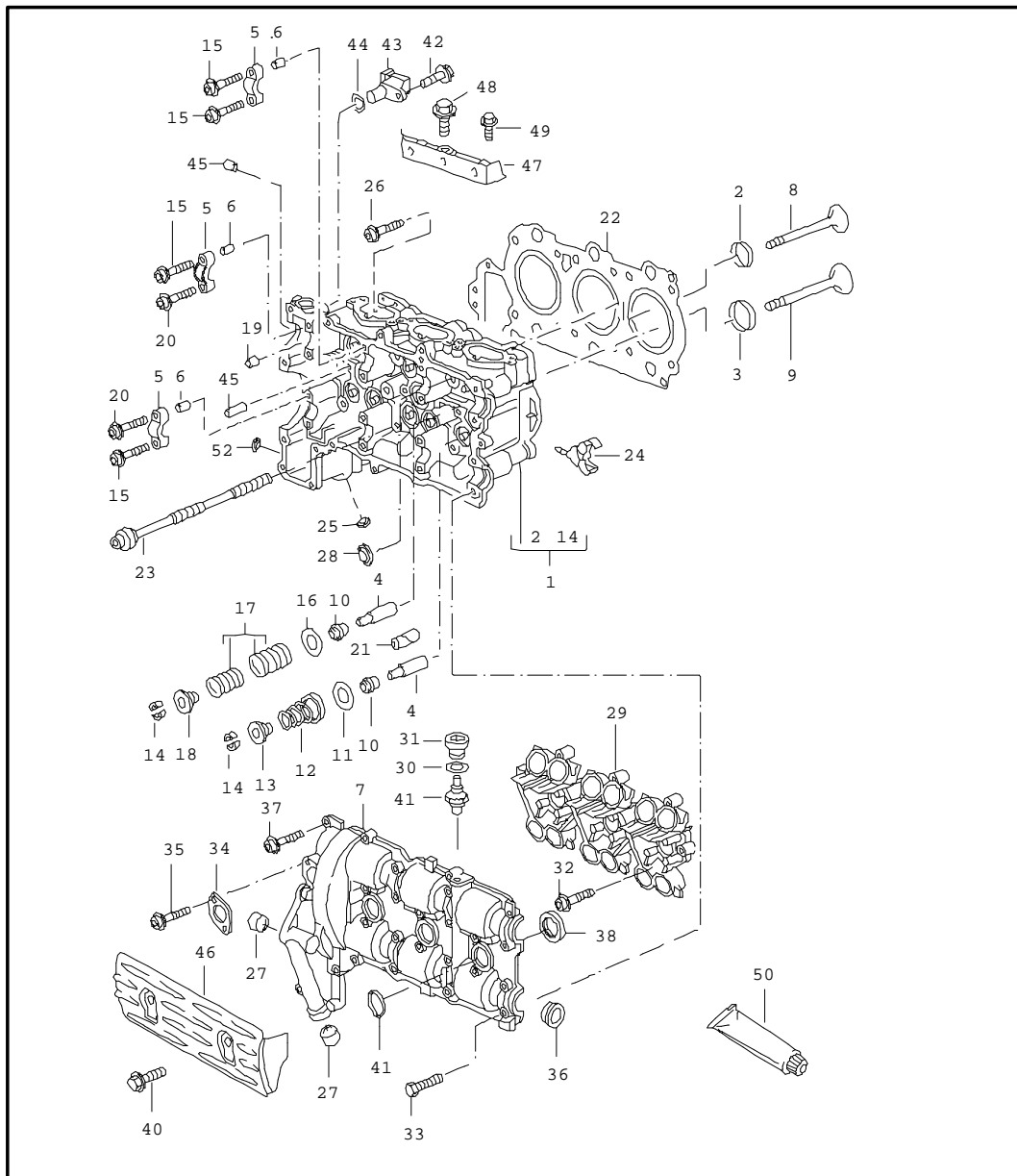
Pos	Part Number	Name	Remarks	Qty	Model	Pos	Part Number	Name	Remarks	Qty	Model
19	999 052 210 00	deep-groove ball bearing 15 X 35 X 11		1							
20	996 101 241 51	gasket		1							
21	996 101 010 00	oil separator		1							
22	996 101 242 51	gasket		1							
23	900 385 009 09	pan-head screw BM 6 X 16		6							
24	996 101 132 00	thrust washer		2							
25	996 101 117 53	straight pin		1							
26	996 101 018 51	splash valve		6							
27	996 102 151 66	poly-rib belt		1	M 573						
28	996 101 253 00	dowel sleeve		2							
29	997 102 241 01	vibration damper		1							
30	000 043 204 17	grease 100 GR.		X							
		- - - E N D - - -									

Model	Year	MG	SG	Illustration	Restrictions	Update	10:05	18.08.2004	PORSCHE	PET	PORSCHE
997	05	1	02	102-05		179					



Pos	Part Number	Name	Remarks	Qty	Model
1	997 103 030 25	piston tolerance range X number plate - 538 - 543 G		6	M97.01
1	997 103 030 26	piston tolerance range X number plate + 544 - 549 G		6	
2	996 103 053 02	set of piston rings		6	
3	996 103 141 03	circlip		12	
- - - E N D - - -					

Model	Year	MG	SG	Illustration	Restrictions	Update	10:05	18.08.2004	PORSCHE	PET	PORSCHE
997	05	1	03	103-00		179					

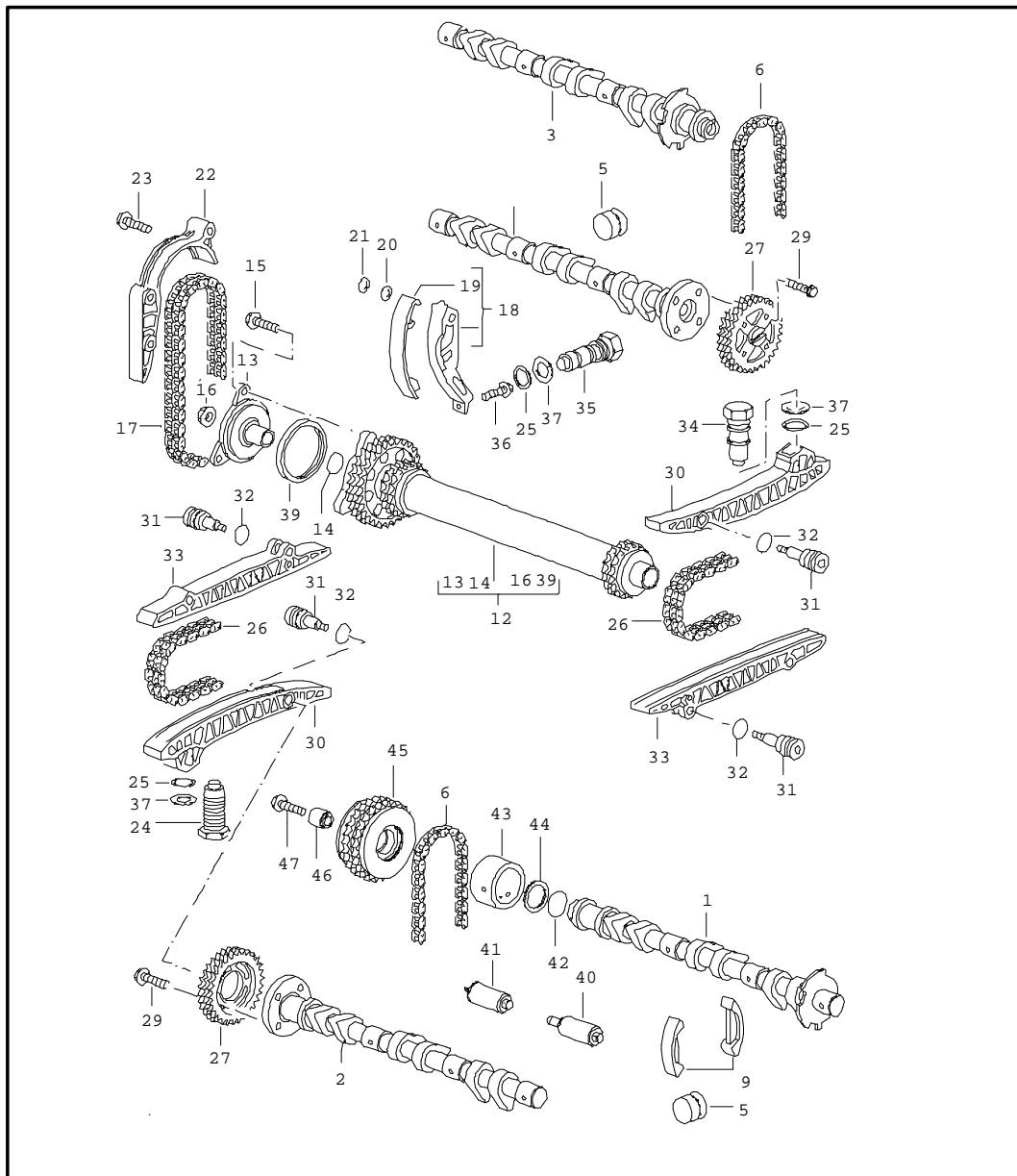


Pos	Part Number	Name	Remarks	Qty	Model
		cylinder head			M97.01
1	997 104 903 00	cylinder head cylinder 1 - 3		1	
1	997 104 904 00	cylinder head cylinder 4 - 6		1	
6	996 104 117 51	dowel sleeve		28	
7	---	cover matching with: cylinder head		2	
8	996 105 271 00	intake valve		12	
9	996 105 273 03	exhaust valve		12	
10	996 105 115 52	valve stem seal		24	
11	996 105 117 51	concave washer		24	
12	996 105 118 01	valve spring		24	
13	996 105 121 54	concave washer		24	
14	996 105 123 51	collet		48	
15	900 385 017 09	screw BM 6 X 35		38	
16	996 105 147 00	concave washer lower intake		12	
17	996 105 939 00	valve spring set intake		12	
18	996 105 145 00	concave washer upper intake		12	
19	---	housing intake matching with: cylinder head		2	
20	900 385 025 09	pan-head screw BM 6 X 40		2	

Model	Year	MG	SG	Illustration	Restrictions	Update	10:05	18.08.2004	PORSCHE	PET	PORSCHE
997	05	1	03	103-00		179					

Pos	Part Number	Name	Remarks	Qty	Model	Pos	Part Number	Name	Remarks	Qty	Model
21	000 043 204 46	sleeve for valve stem seal		1							
22	997 104 201 02	cylinder head gasket		2							
23	996 104 180 58	screw M 10 X 230		24							
24	999 507 075 40	cable holder 3,0 - 12		2							
25	996 607 105 00	support		1							
26	996 607 103 00	support		1							
27	986 607 104 00	support		2							
28	900 378 036 09	hexagon-head bolt M 6 X 12		2							
		- - - E N D - - -									

Model	Year	MG	SG	Illustration	Restrictions	Update	10:05	18.08.2004	PORSCHE	PET	PORSCHE
997	05	1	03	103-10		179					



Pos	Part Number	Name	Remarks	Qty	Model
		camshaft driving mechanism			M97.01 M96.05
1	997 105 047 00	camshaft intake cylinder 1 - 3		1	M97.01
2	996 105 262 06	camshaft exhaust cylinder 1 - 3		1	
3	997 105 048 00	camshaft intake cylinder 4 - 6		1	M97.01
4	996 105 264 06	camshaft exhaust cylinder 4 - 6		1	
5	996 105 041 72	hydraulic valve tappet exhaust		12	
(5)	996 105 255 22	hydraulic valve tappet intake		12	
6	996 105 168 03	rail		2	
7	996 105 051 03	tensioner cylinder 1 - 3		1	
8	900 067 372 09	pan-head screw M 6 X 95		6	
9	996 105 253 00	repair kit guide piece		1	
11	999 141 032 07	screw		2	
12	996 105 901 02	intermediate shaft		1	
13	996 105 024 01	housing		1	
14	999 707 392 40	o-ring 7 X 2		1	
15	900 385 093 09	hexagon-head bolt BM 6 X 20		3	

Model	Year	MG	SG	Illustration	Restrictions	Update	10:05	18.08.2004	PORSCHE	PET	PORSCHE
997	05	1	03	103-10		179					

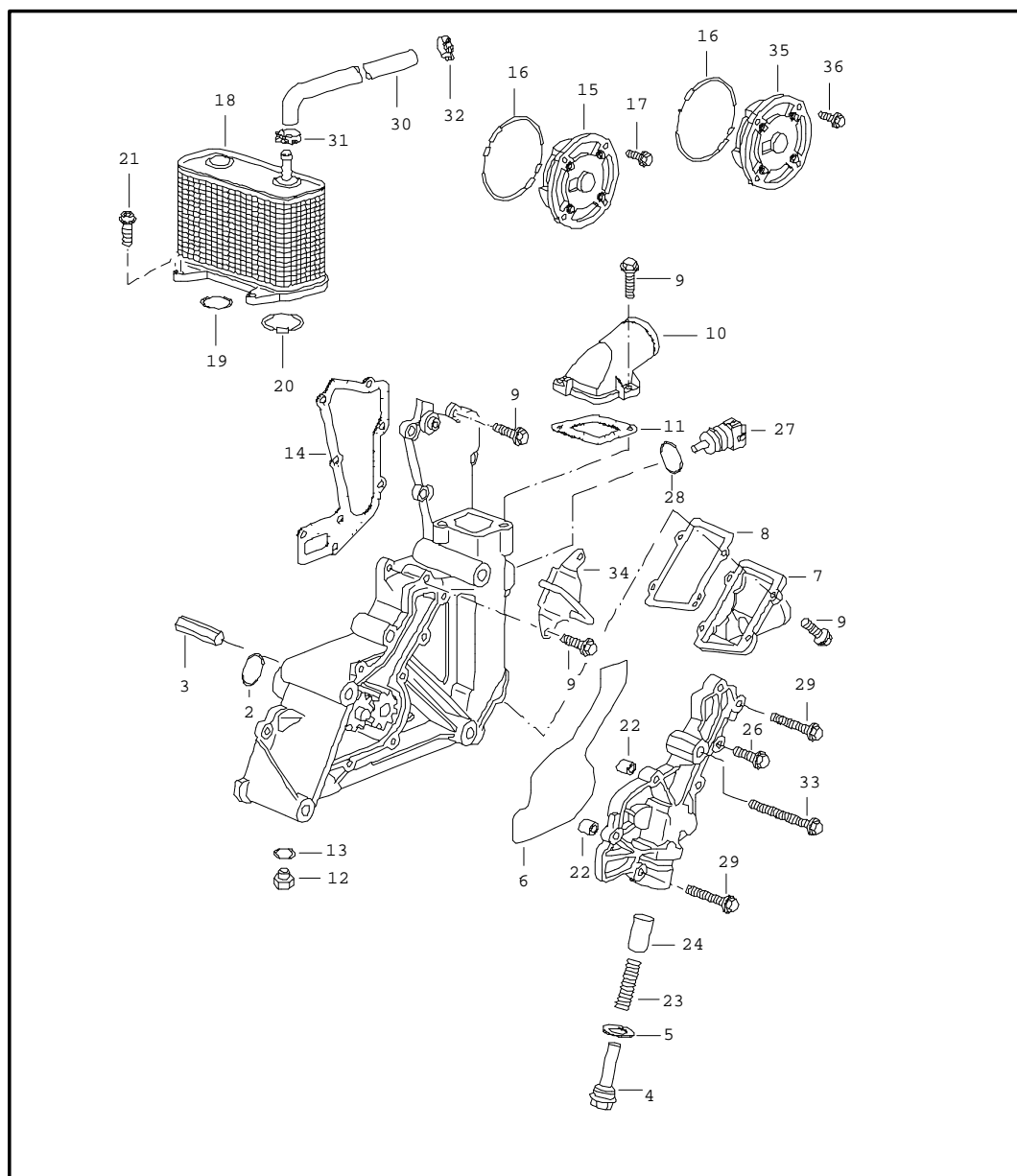
Pos	Part Number	Name	Remarks	Qty	Model	Pos	Part Number	Name	Remarks	Qty	Model
16	900 380 019 02	hexagon nut M 8 X 1		1		(33)	996 105 164 00	guide piece cyl. 4 until cyl. 6		1	
17	996 105 171 56	timing chain		1							
18	996 105 165 55	tensioner blade		1		34	996 105 188 01	chain adjuster		1	
19	996 105 195 00	pad		1		35	996 105 180 56	chain adjuster		1	
20	900 234 040 01	shim 10 X 16 X 1,2		1		36	996 105 197 00	pressure pin		1	
21	900 041 004 01	circlip 10 X 1		1		37	900 123 147 30	sealing ring A 27 X 32		3	
22	996 105 166 51	guide piece		1		39	996 105 112 01	gasket		1	
23	900 075 486 01	hexagon-head bolt AM 6 X 40		3		40	996 105 301 03	actuator valve		2	
24	996 105 186 01	chain adjuster		1		--	996 105 903 03	o-ring		X	
25	999 707 344 40	o-ring 18,77 X 1,78		4		--	996 105 310 03	support		2	
26	996 105 152 00	timing chain		2		--	999 651 386 02	cable clamp		4	
27	996 105 178 54	sprocket with driver		2		41	997 105 303 05	actuator camshaft		2	
29	900 385 272 09	hexagon-head bolt BM 6 X 12		8		--	996 105 903 05	o-ring		X	
30	996 105 156 00	tensioner blade cylinder 1-3		1		--	997 105 256 00	support		2	
(30)	996 105 158 00	tensioner blade cylinder 4-6		1		42	996 105 280 50	ring		4	
31	996 105 062 01	screw M 6		6		43	996 104 205 06	bearing sleeve		2	
32	999 707 346 40	o-ring 15 X 3		6		44	996 105 203 00	washer		2	
33	996 105 054 01	guide piece cylinder 1 until cyl. 3		1		45	996 105 051 03	camshaft adjuster camshaft intake cylinder 1-3		1	
						(45)	996 105 052 01	camshaft adjuster camshaft intake cylinder 4-6		1	
						46	996 105 260 02	intermediate piece		2	
						47	996 105 254 00	hexagon-head bolt		2	

Model	Year	MG	SG	Illustration	Restrictions	Update	10:05	18.08.2004	PORSCHE	PET	PORSCHE
997	05	1	03	103-10		179					

Pos	Part Number	Name	Remarks	Qty	Model	Pos	Part Number	Name	Remarks	Qty	Model
		- - - E N D - - -									



Model	Year	MG	SG	Illustration	Restrictions	Update	10:06	18.08.2004	PORSCHE	PET	PORSCHE
997	05	1	04	104-00		179					

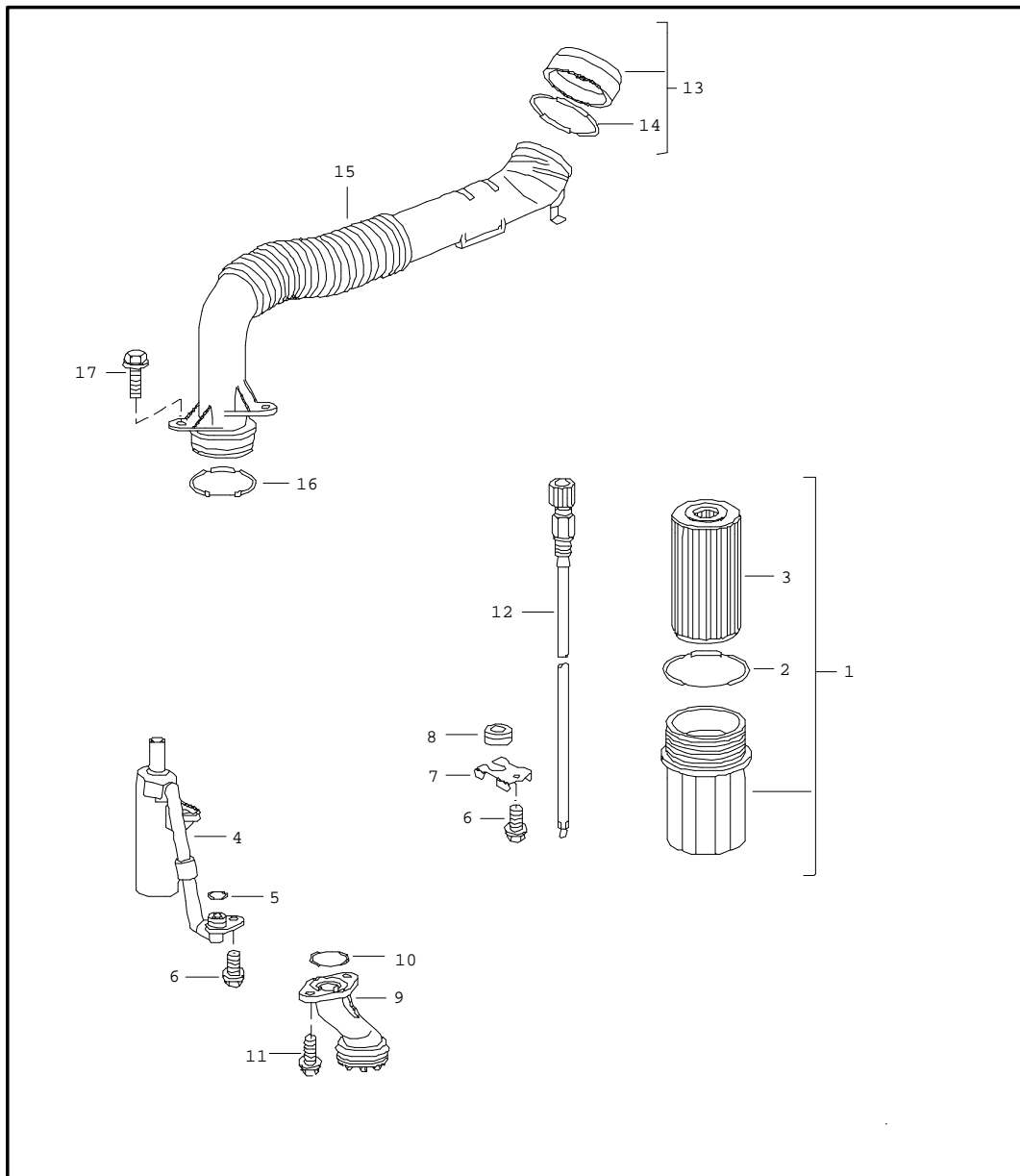


Pos	Part Number	Name	Remarks	Qty	Model
		oil pump tandem pump			M97.01
1	996 107 012 58	oil pump		1	
2	996 107 103 51	o-ring 29,1 X 2,55 use also: grease 999 917 560 00		2	
3	996 107 121 50	driver		1	
4	996 107 105 51	screw plug		1	
5	996 107 123 50	sealing ring		1	
6	996 107 261 50	gasket		1	
7	996 106 220 51	connection piece supply		1	
8	996 106 316 51	gasket		1	
9	900 378 030 09	hexagon-head bolt M 6 X 20		14	
10	996 106 216 53	connection piece		1	
11	996 106 321 50	gasket		1	
12	900 219 007 02	screw plug M 10 X 1		1	
13	900 123 144 30	sealing ring A 10 X 13,5		1	
14	996 107 337 50	gasket		1	
15	997 107 021 03	oil pump		1	
16	999 707 554 40	o-ring 95 X 2,5 use also: grease 999 917 560 00		2	
17	999 073 316 09	hexagon-head bolt M 6 X 20		4	
18	997 107 025 00	heat exchanger		1	
19	999 707 542 40	o-ring 28 X 3		2	

Model	Year	MG	SG	Illustration	Restrictions	Update	10:06	18.08.2004	PORSCHE	PET	PORSCHE
997	05	1	04	104-00		179					

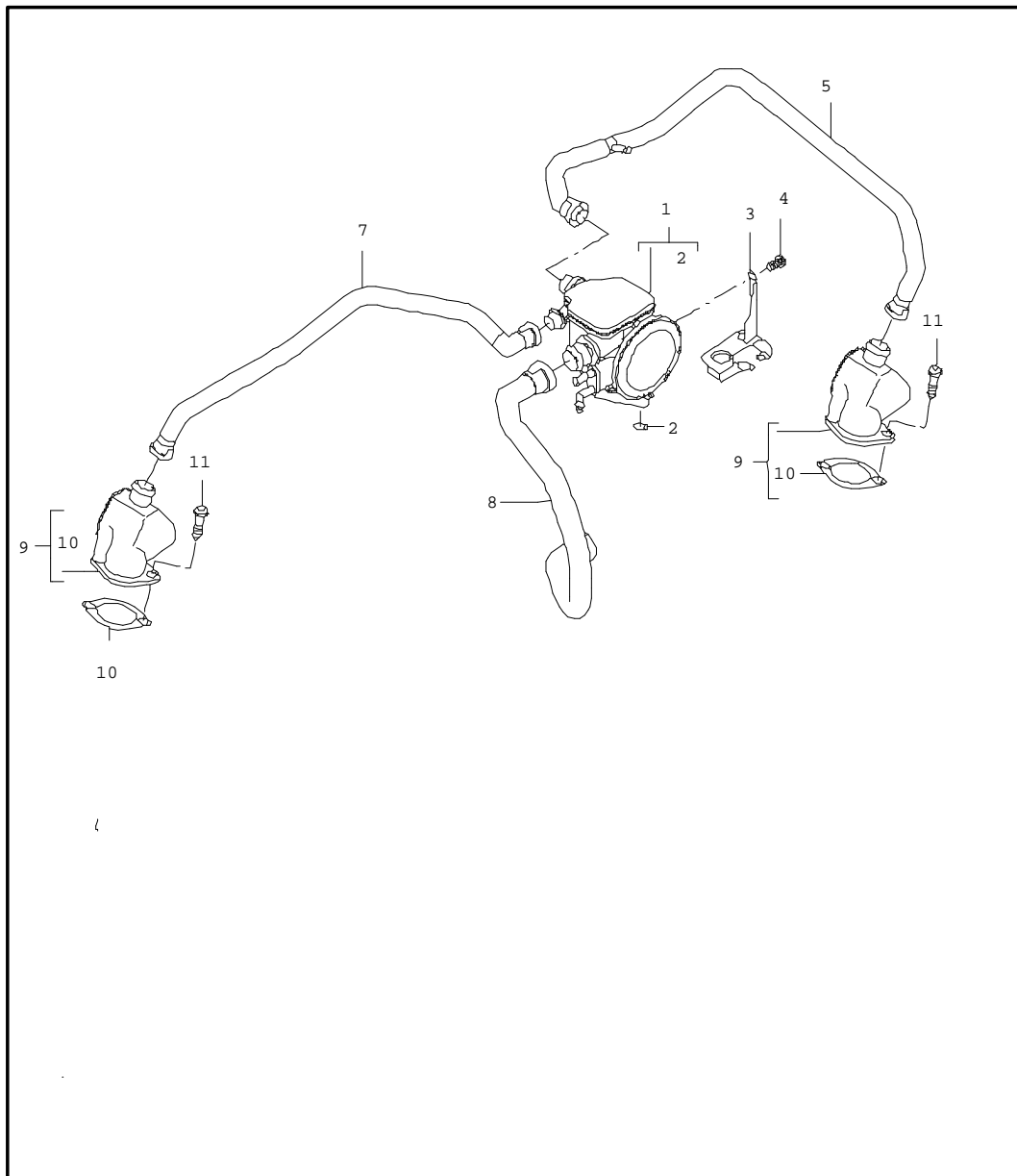
Pos	Part Number	Name	Remarks	Qty	Model	Pos	Part Number	Name	Remarks	Qty	Model
20	999 707 389 40	o-ring 35 X 4		2							
21	900 387 264 09	pan-head screw M 6 X 16		4							
22	996 106 103 50	dowel sleeve 8,2 X 7		2							
23	996 107 127 53	spring		1							
24	996 107 125 51	piston		1							
25	996 107 212 53	cover for 996 107 012 56		1							
25	996 107 212 54	cover for 996 107 012 58		1							
26	900 385 019 09	hexagon-head bolt > 6 X 20		7							
27	996 606 410 00	temperature sensor		1							
28	---	sealing ring		1							
29	900 385 066 09	hexagon-head bolt M 6 X 80		2							
30	996 106 230 53	breather hose		1							
31	999 512 554 00	hose clamp 12 - 22 MM		1							
32	999 512 652 09	hose clamp 19 X 12		1							
33	900 385 004 09	hexagon-head bolt M 10 X 60		1							
34	996 102 235 01	clip		1	I 573						
35	997 107 022 01	tandem pump		1							
36	999 073 317 09	round head screw M 6 X 30		4							
		- - - E N D - - -									

Model	Year	MG	SG	Illustration	Restrictions	Update	10:06	18.08.2004	PORSCHE	PET	PORSCHE
997	05	1	04	104-05		179					



Pos	Part Number	Name	Remarks	Qty	Model
		engine lubrication			M97.01
1	996 107 020 54	oil filter		1	
2	996 107 313 51	sealing ring use also: grease 999 917 788 00		1	
3	996 107 225 53	filter element		1	
4	997 107 038 00	oil separator		2	
5	900 331 053 40	o-ring 12,37 X 2,62		2	
6	900 378 036 09	hexagon-head bolt M 6 X 12		5	
7	997 107 338 01	support oil separator		1	
8	999 702 206 50	grommet 9,5 X 18,0 X 1,2		1	
9	996 107 075 57	suction tube		1	
10	999 707 375 40	o-ring 30 X 3		1	
11	900 378 030 09	hexagon-head bolt M 6 X 20		2	
12	996 606 150 00	oil-level sender		1	
13	996 107 035 52	cover		1	
14	996 107 336 00	gasket		1	
15	996 107 150 60	filler tube		1	
16	999 707 348 40	o-ring 42 X 4 use also: grease 999 917 560 00		1	
17	900 385 050 09	hexagon-head bolt M 6 X 16		2	
- - - E N D - - -					

Model	Year	MG	SG	Illustration	Restrictions	Update	10:06	18.08.2004	PORSCHE	PET	PORSCHE
997	05	1	04	104-10		179					

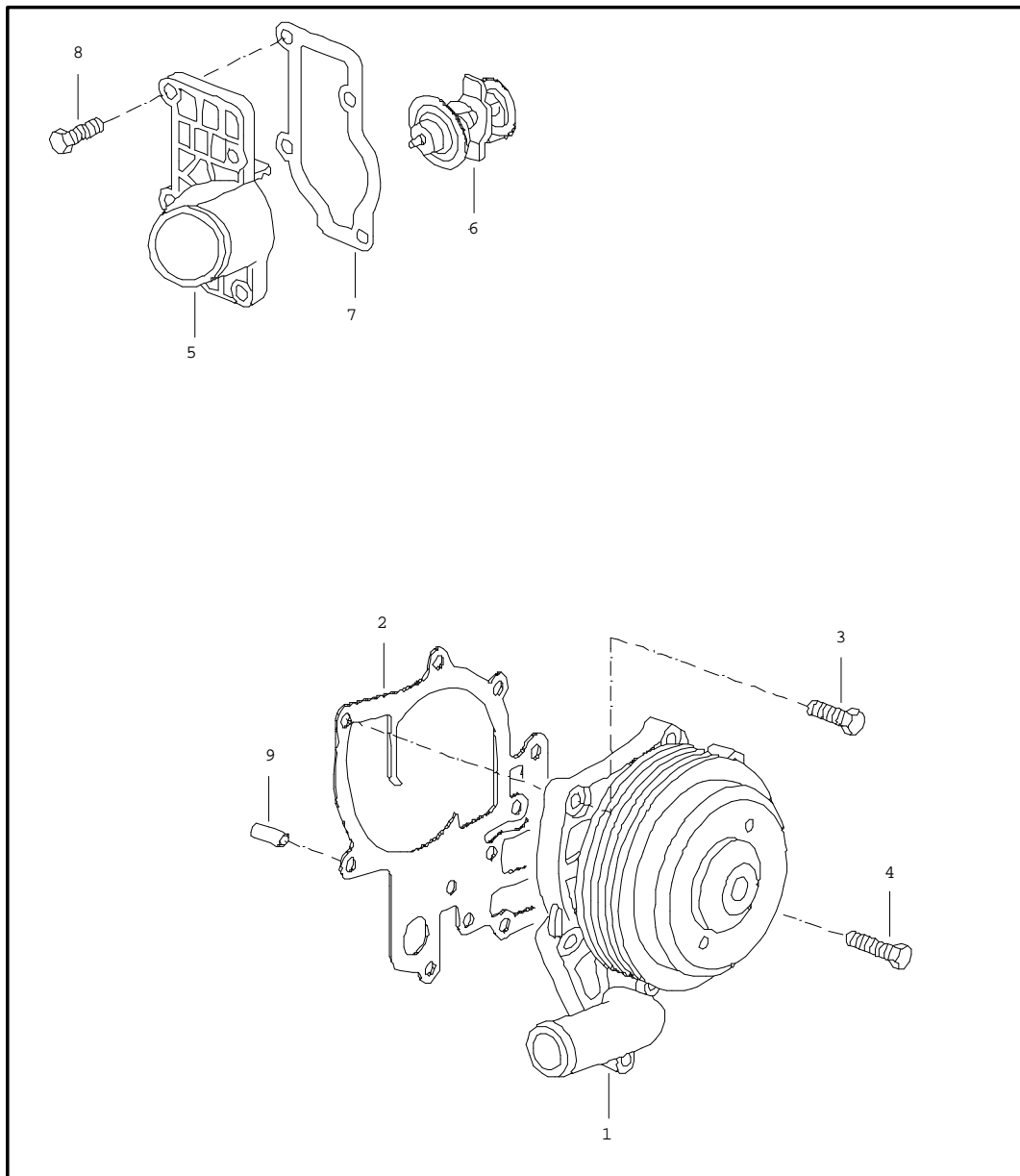


Pos	Part Number	Name	Remarks	Qty	Model
		crankcase bleeding			M97.01 M96.05
1	997 107 038 00	oil separator		1	M97.01
(1)	996 107 026 50	oil separator		1	M96.05
2	900 331 053 40	o-ring 12,37 X 2,62		1	
3	900 378 177 09	hexagon-head bolt M 6 X 30		2	
4	996 107 147 55	breather hose		1	
5	996 107 145 55	vent line		1	
(5)	996 107 145 30	vent line		1	
6	996 107 047 51	connection piece		1	
7	999 707 154 40	o-ring 18,77 X 1,78		1	
8	900 378 163 09	hexagon-head bolt M 6 X 16		1	
9	999 512 630 00	hose clamp 32 X 12		1	
(9)	999 512 683 09	hose clamp 23 X 12		2	
10	996 107 237 52	bellows		1	
(10)	996 107 175 50	hose		1	
11	999 512 551 00	hose clamp 30 X 12		1	
12	996 106 208 50	hose		1	
13	996 106 224 51	hose		1	
14	999 512 498 00	hose clamp 13,1 - 15,3		2	
15	999 512 568 02	hose clamp 13,9 - 16,1		3	
16	999 137 052 40	intermediate piece GS 8		1	

Model	Year	MG	SG	Illustration	Restrictions	Update	10:06	18.08.2004	PORSCHE	PET	PORSCHE
997	05	1	04	104-10		179					

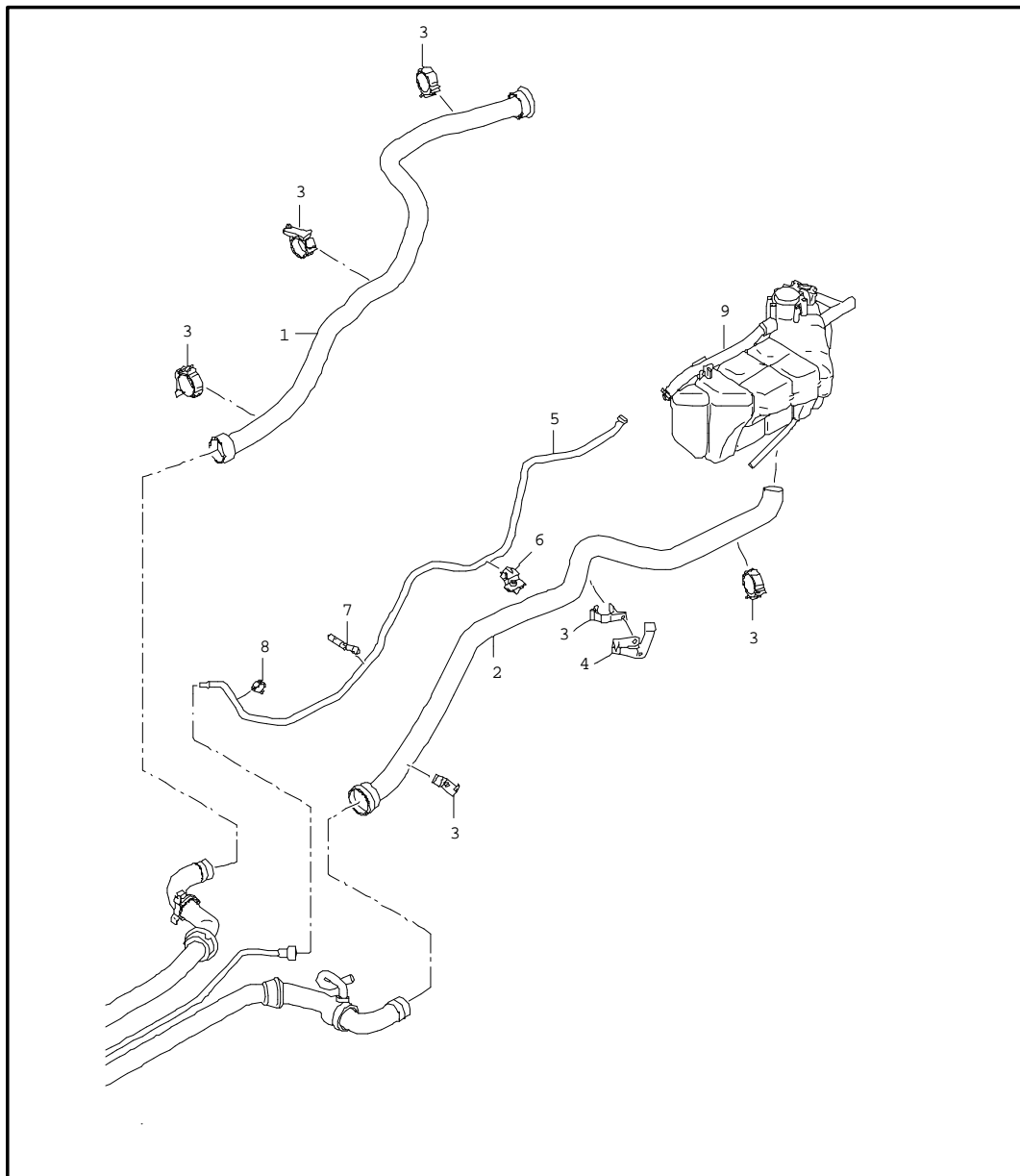
Pos	Part Number	Name	Remarks	Qty	Model	Pos	Part Number	Name	Remarks	Qty	Model
17	900 378 035 09	hexagon-head bolt M 6 X 16		1							
18	996 106 226 52	socket		1							
19	999 512 633 00	clamp 15,6 - 17,8		2							
20	996 106 223 52	hose		1							
21	999 507 644 40	hose holder 8-33/-13		1							
22	999 707 446 40	o-ring 18,0 X 2,5		4							
23	997 107 338 01	support oil separator		1							
		- - - E N D - - -									

Model	Year	MG	SG	Illustration	Restrictions	Update	10:06	18.08.2004	PORSCHE	PET	PORSCHE
997	05	1	05	105-00		179					



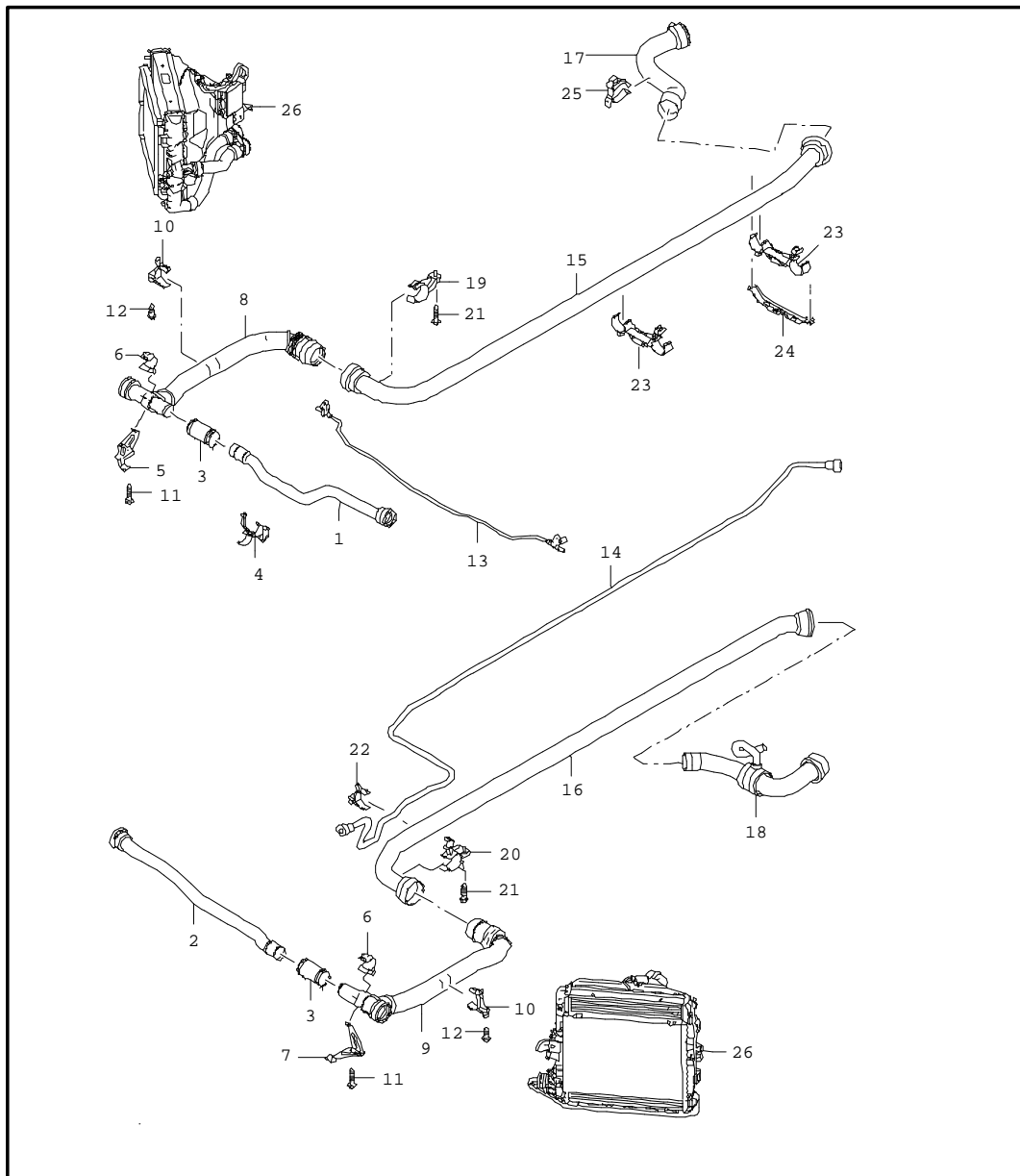
Pos	Part Number	Name	Remarks	Qty	Model
		water pump			M97.01
		thermostat housing			M96.05
1	997 106 011 02	water pump		1	
2	997 106 340 00	gasket		1	
3	900 385 023 04	hexagon-head bolt M 6 X 25		5	
4	900 385 048 04	hexagon-head bolt M 6 X 30		2	
5	996 106 121 55	cover		1	
6	996 106 125 52	thermostat insert		1	
7	996 106 326 50	gasket		1	
8	900 385 019 09	hexagon-head bolt M 6 X 20		4	
9	996 106 103 50	dowel sleeve 8,2 X 7		2	
- - - E N D - - -					

Model	Year	MG	SG	Illustration	Restrictions	Update	10:06	18.08.2004	PORSCHE	PET	PORSCHE
997	05	1	05	105-05		179					



Pos	Part Number	Name	Remarks	Qty	Model
		water cooling 1			M97.01 M96.05
1	997 106 610 00	cooling water tube supply right		1	
2	997 106 809 00	cooling water tube return left		1	
3	996 106 417 73	support cooling water tube		6	
4	997 106 609 00	support		1	
5	997 106 681 03	vent line		1	
6	997 106 581 01	support vent line		1	
7	999 507 961 41	support vent line		1	
8	999 507 743 40	support vent line		1	
9	---	see illustrations 1/05/20		X	
- - - E N D - - -					

Model	Year	MG	SG	Illustration	Restrictions	Update	10:07	18.08.2004	PORSCHE	PET	PORSCHE
997	05	1	05	105-10		179					



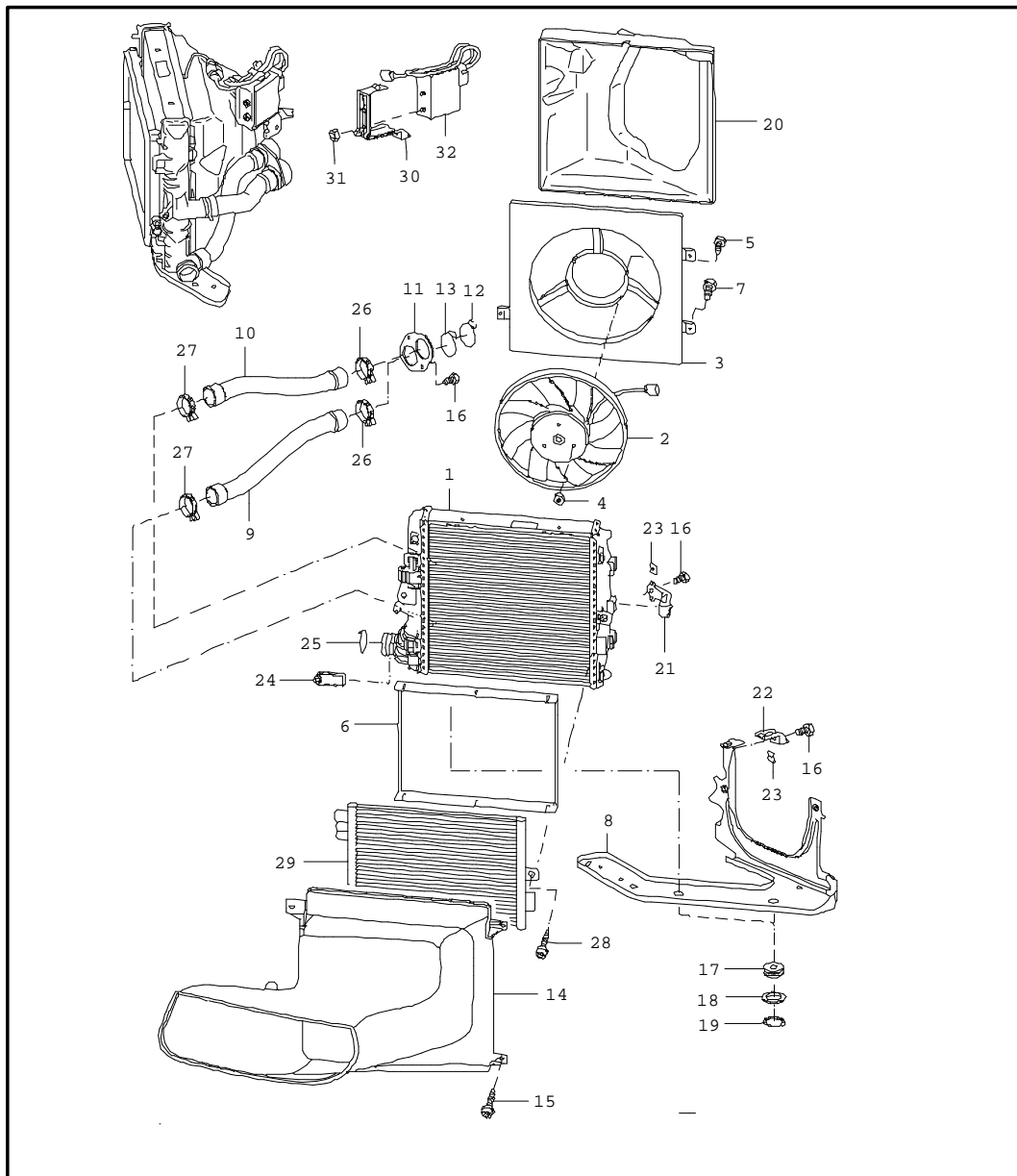
Pos	Part Number	Name	Remarks	Qty	Model
		water cooling 2			M97.01 M96.05
1	997 106 711 01	water tube cross tube supply		1	
2	997 106 720 01	water tube cross tube return		1	
3	997 106 723 04	water hose		2	
4	997 106 525 01	support water tube cross tube centre		1	
5	997 106 574 02	support distributor tube right		1	
6	997 106 526 01	support cross tube upper		2	
7	997 106 573 02	support distributor tube left		1	
8	997 106 751 03	distributor tube supply		1	
9	997 106 752 03	distributor tube return		1	
10	997 106 413 01	support distributor tube		2	
11	900 378 013 09	hexagon-head bolt M6 X 25		2	
12	900 378 036 09	hexagon-head bolt M6 X 12		2	
13	997 106 720 01	vent line transverse		1	
14	997 106 227 02	vent line tunnel		1	
15	997 106 651 02	pipe supply tunnel		1	



Model	Year	MG	SG	Illustration	Restrictions	Update	10:07	18.08.2004	PORSCHE	PET	PORSCHE
997	05	1	05	105-10		179					

Pos	Part Number	Name	Remarks	Qty	Model	Pos	Part Number	Name	Remarks	Qty	Model
16	997 106 652 02	pipe return tunnel		1							
17	997 106 740 04	water hose supply		1							
18	997 106 741 04	water hose return		1	I480						
(18)	997 106 742 03	water hose return		1	I249						
19	997 106 520 02	support bulkhead right		1							
20	997 106 521 01	support bulkhead left		1							
21	900 378 035 09	hexagon-head bolt M6 X 16		2							
22	997 106 512 03	connection piece vent line		1							
23	997 106 540 02	support tunnel		2							
24	997 106 515 02	retaining bow tunnel		1							
25	997 106 427 00	support heel plate		1							
26	---	see illustrations 1/05/15  - - - E N D - - -		X							

Model	Year	MG	SG	Illustration	Restrictions	Update	10:07	18.08.2004	PORSCHE	PET	PORSCHE
997	05	1	05	105-15		179					

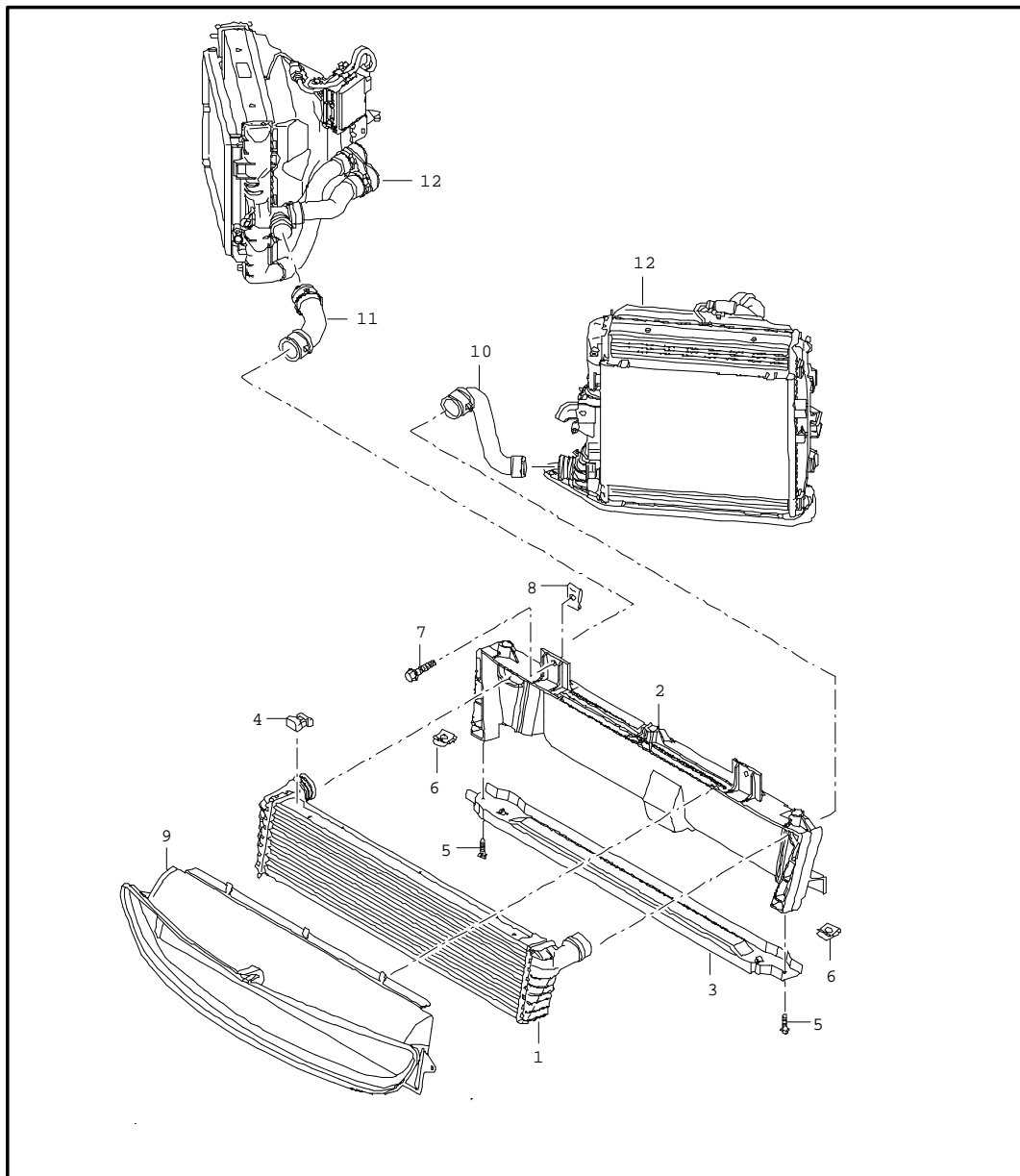


Pos	Part Number	Name	Remarks	Qty	Model
		water cooling 3			M97.01 M96.05
1	997 106 131 02	radiator	/L	1	
(1)	997 106 132 02	radiator	/R	1	
2	997 624 135 02	fan	/L	2	
(2)	997 624 136 02	fan	/R	2	
3	997 624 131 02	air box	/L	2	
(3)	997 624 132 02	air box	/R	2	
4	900 377 001 02	hexagon nut M 6		6	
5	900 146 116 09	hexagon-head bolt M 5 X 16		6	
6	997 573 711 00	sealing frame		1	
7	999 919 125 09	hexagon-head bolt plastic material M6 X 16		6	
8	997 106 155 01	bracket	/L	1	
(8)	997 106 156 01	bracket	/R	1	
9	997 106 621 03	water hose supply	/L	1	
(9)	997 106 622 03	water hose supply	/R	1	
10	997 106 625 03	water hose return	/L	1	
10	997 106 626 03	water hose return	/R	1	
11	997 106 255 02	connecting piece		2	
12	997 106 802 01	spring SCB 33		1	
13	997 106 802 02	spring SCB 36		1	
14	997 575 321 00	air duct	/L	1	
(14)	997 575 322 00	air duct	/R	1	

Model	Year	MG	SG	Illustration	Restrictions	Update	10:07	18.08.2004	PORSCHE	PET	PORSCHE
997	05	1	05	105-15		179					

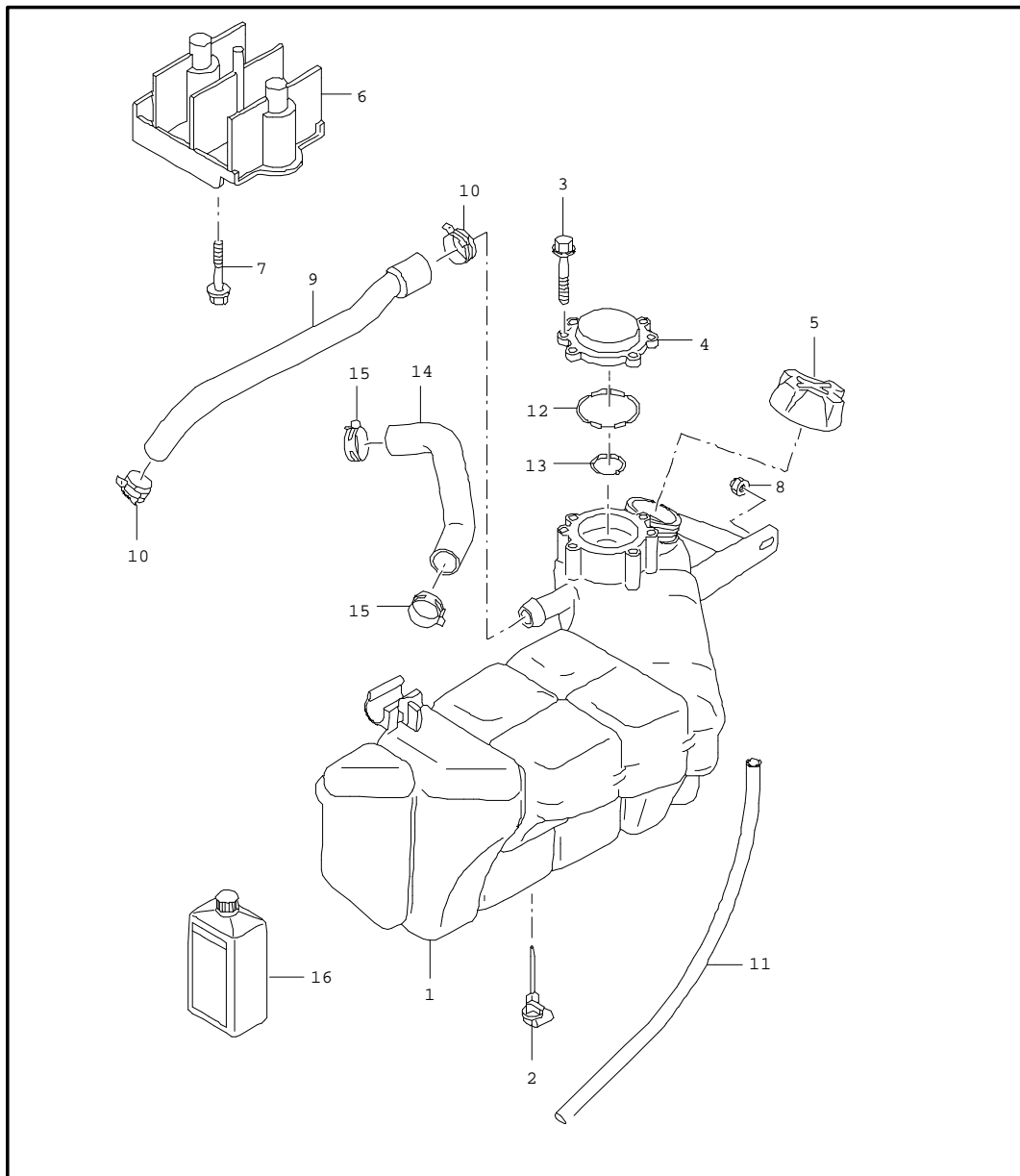
Pos	Part Number	Name	Remarks	Qty	Model	Pos	Part Number	Name	Remarks	Qty	Model
15	999 919 134 09	oval-head screw M 6 X 16		6							
16	900 385 009 09	torx screw M 6 X 16		6							
17	999 703 494 40	rubber mounting 15 X 19,5		6							
18	999 025 255 02	washer		4							
19	999 166 083 09	safety clip B 25		4							
20	997 575 341 00	air duct	/L	1							
(20)	997 575 342 00	air duct	/R	1							
21	997 106 232 01	support outer		2							
22	997 106 455 00	support left		1							
23	999 591 350 02	speed nut ST 4,8		6							
24	997 106 231 02	support inner		2							
25	997 106 802 00	spring SCB 26		2							
29	---	condenser see illustrations 8/13/25									
30	997 106 456 00	support right		1							
31	900 377 010 09	hexagon nut M 6		2							
32	---	control unit cooling air control see illustrations 9/01/03		1							
		- - - E N D - - -									

Model	Year	MG	SG	Illustration	Restrictions	Update	10:07	18.08.2004	PORSCHE	PET	PORSCHE
997	05	1	05	105-17		179					



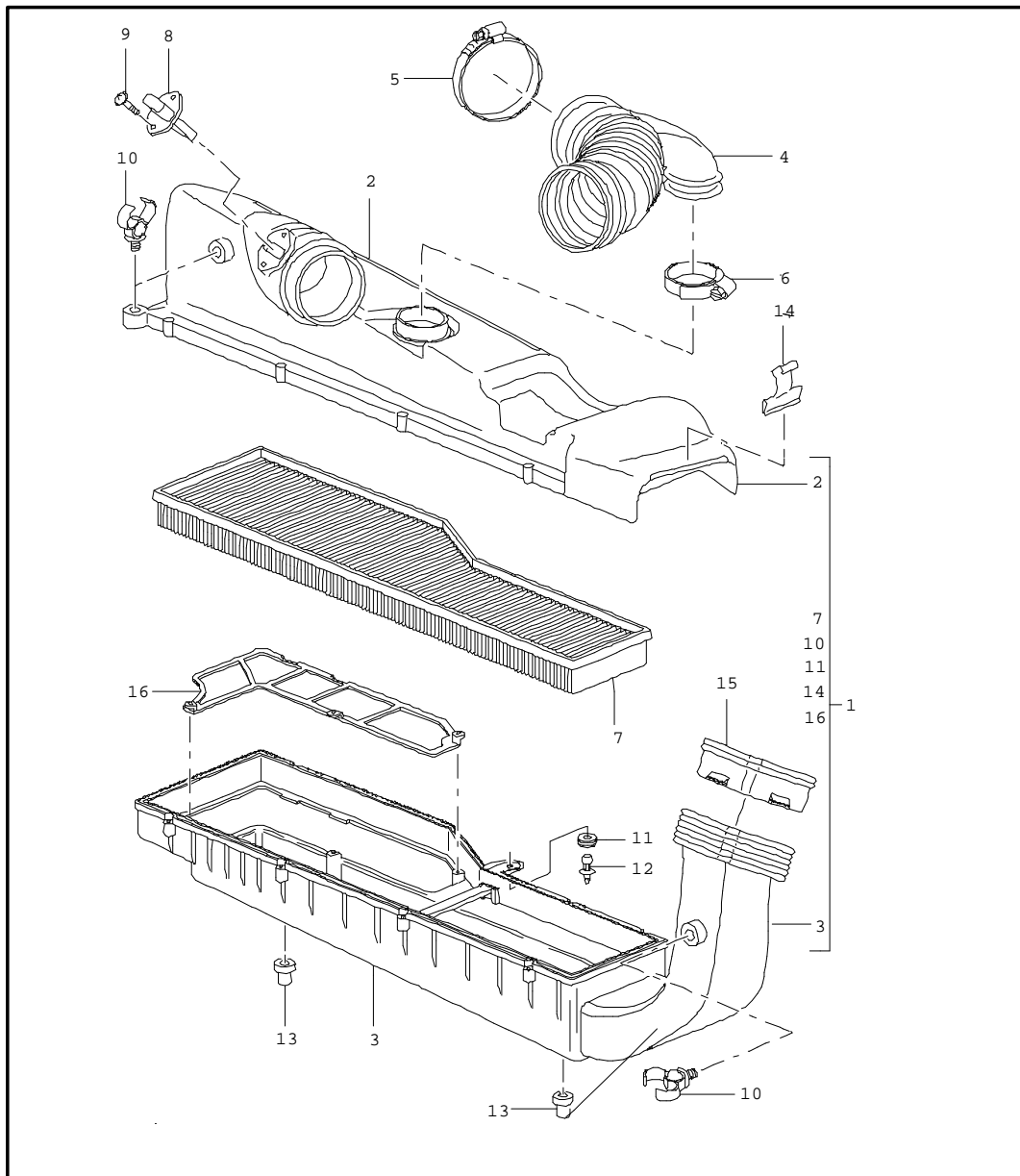
Pos	Part Number	Name	Remarks	Qty	Model
		radiator	I 249		M97.01
		centre	I 249		M96.05
1	997 106 037 02	radiator		1	
2	997 504 487 00	retaining frame upper		1	
3	997 504 485 00	retaining frame lower		1	
4	997 106 437 00	rubber mounting		4	
5	900 378 035 09	hexagon-head bolt M 6 X 16		2	
6	999 591 882 02	captive nut M 6		2	
7	900 378 074 09	hexagon-head bolt M 8 X 16		4	
8	999 591 869 02	speed nut M 8		4	
9	987 575 141 00	air duct radiator centre		1	
10	997 106 639 03	water hose return		1	
11	997 106 638 03	water hose supply		1	
12	---	see illustrations 1/05/15			
- - - E N D - - -					

Model	Year	MG	SG	Illustration	Restrictions	Update	10:07	18.08.2004	PORSCHE	PET	PORSCHE
997	05	1	05	105-20		179					



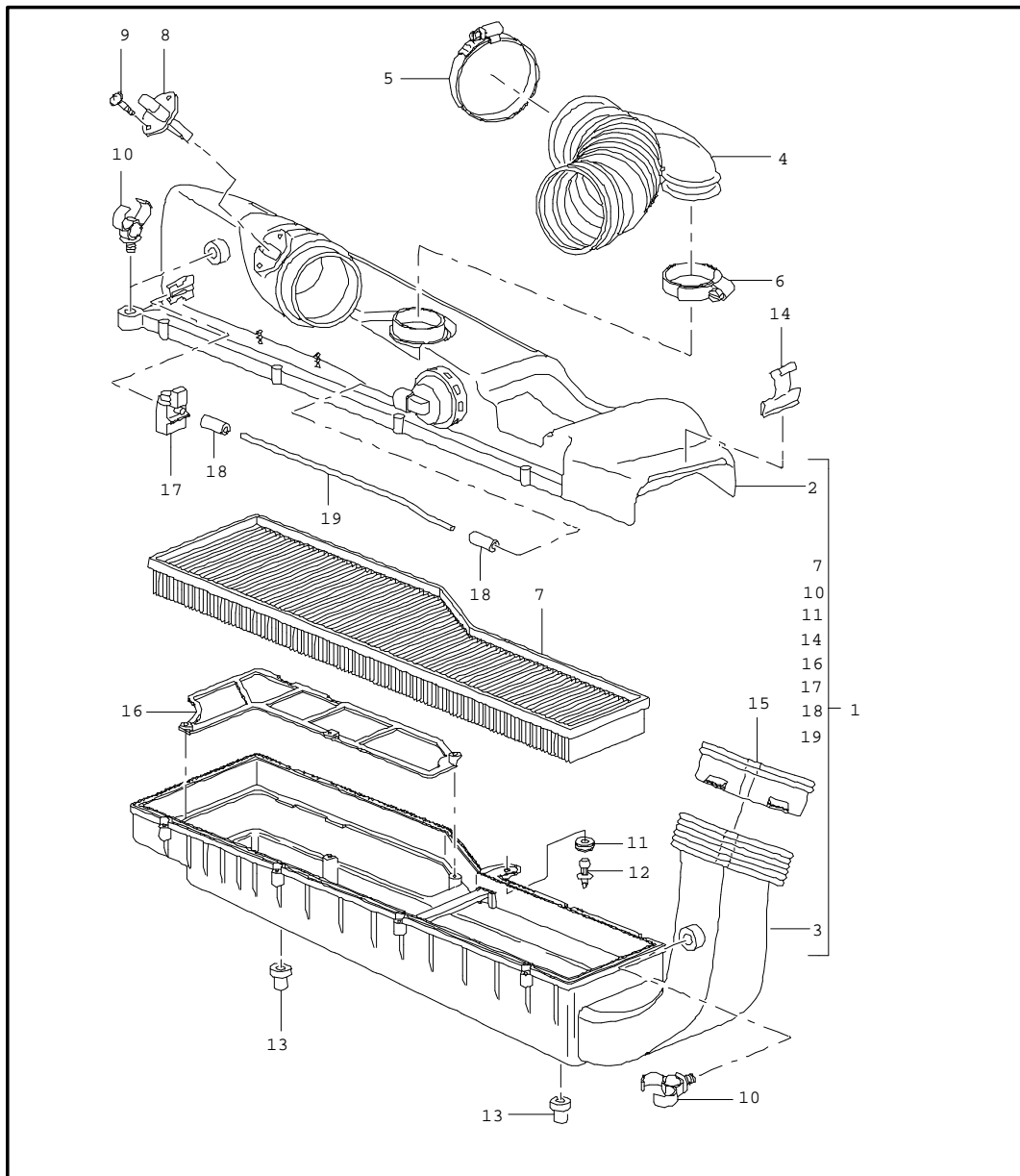
Pos	Part Number	Name	Remarks	Qty	Model
		water cooling 4			M97.01 M96.05
1	996 106 157 03	water reservoir		1	
2	996 641 503 00	switch		1	
3	999 919 058 02	hexagon-head bolt 5,0 X 40		8	
4	996 106 347 01	bleeder valve		1	
5	996 106 447 01	cover		1	
6	996 106 405 52	support		1	
7	900 378 168 09	hexagon-head bolt M 6 X 30		2	
8	999 076 071 02	hexagon nut M 6		1	
9	996 106 251 71	breather hose		1	
10	999 512 657 09	hose clamp 26 X 12		1	
11	996 106 297 00	hose		1	
12	999 707 370 40	o-ring 47 X 4		1	
13	999 707 371 40	o-ring 17 X 4		1	
14	997 106 851 01	water hose		1	
16	000 043 203 78	antifreeze protection 1 LTR. container		X	
- - - E N D - - -					

Model	Year	MG	SG	Illustration	Restrictions	Update	10:08	18.08.2004	PORSCHE	PET	PORSCHE
997	05	1	06	106-00		179					



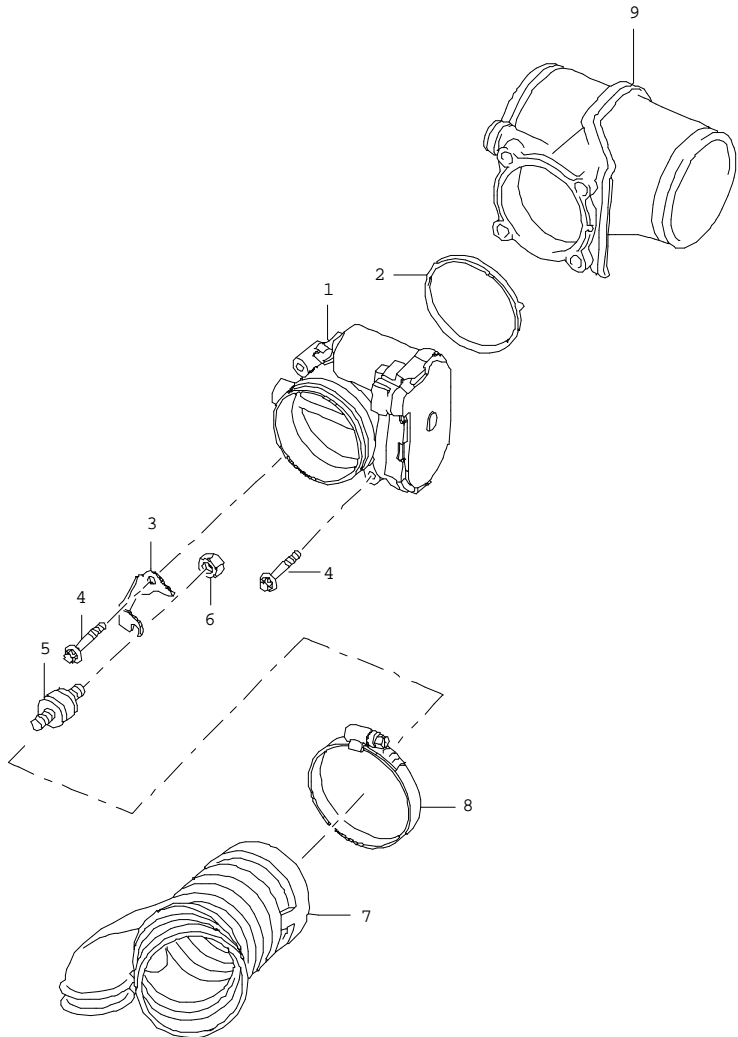
Pos	Part Number	Name	Remarks	Qty	Model
		air cleaner			M96.05
1	997 110 023 00	air cleaner complete		1	
2	997 110 121 01	air cleaner upper part		1	
3	997 110 122 01	air cleaner lower part		1	
4	---	air box see illustrations 1/07/00			
5	999 512 016 00	hose clamp 80 - 100		1	
6	999 512 636 00	hose clamp 40 - 60		1	
7	996 110 131 52	filter element		1	
8	997 605 500 30	mass air flow		1	
9	999 919 160 07	oval-head screw M 5 X 20		2	
10	999 507 544 40	cable clip		2	
11	999 702 246 40	grommet 12 X 17		1	
12	997 110 137 01	clip		1	
13	999 703 478 40	grommet		1	
15	997 110 250 00	sealing bellows		1	
16	997 110 240 00	frame		1	
		- - - E N D - - -			

Model	Year	MG	SG	Illustration	Restrictions	Update	10:08	18.08.2004	PORSCHE	PET	PORSCHE
997	05	1	06	106-01		179					



Pos	Part Number	Name	Remarks	Qty	Model
		air cleaner			M97.01
1	997 110 021 00	air cleaner complete		1	
2	997 110 121 00	air cleaner upper part		1	
3	997 110 122 00	air cleaner lower part		1	
4	---	air box see illustrations 1/07/00			
5	999 512 016 00	hose clamp 80 - 100		1	
6	999 512 636 00	hose clamp 40 - 60		1	
7	996 110 131 52	filter element		1	
8	997 605 500 30	mass air flow		1	
9	999 919 160 07	oval-head screw M 5 X 20		2	
10	999 507 544 40	cable clip		2	
11	999 702 246 40	grommet 12 X 17		1	
12	997 110 137 01	clip		1	
13	999 703 478 40	bush		1	
15	997 110 250 00	sealing bellows		1	
16	997 110 240 00	housing		1	
17	996 605 123 01	valve		1	
18	999 239 040 40	hose		2	
19	999 181 369 40	pipe		1	
		--- E N D ---			

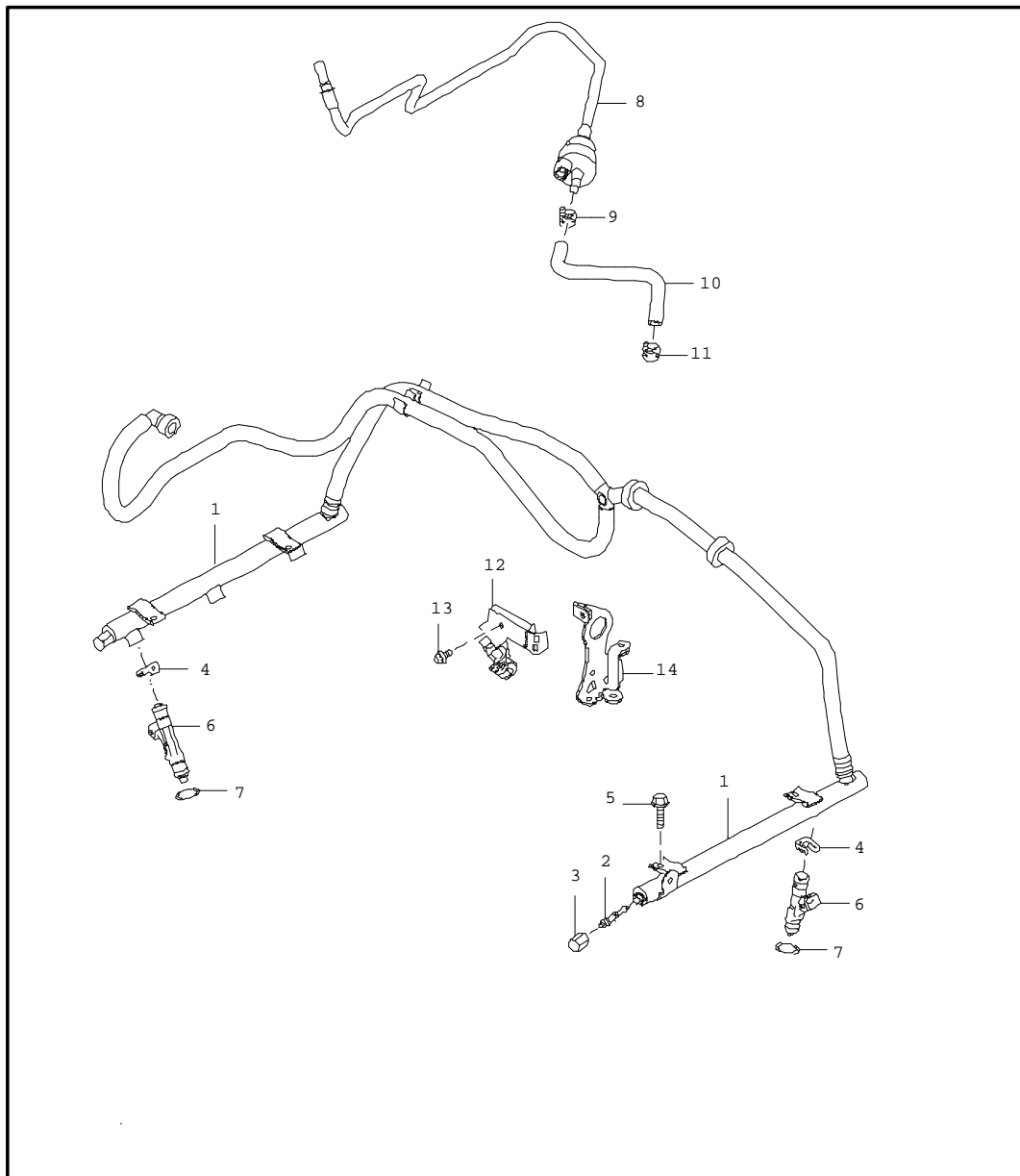
Model	Year	MG	SG	Illustration	Restrictions	Update	10:08	18.08.2004	PORSCHE	PET	PORSCHE
997	05	1	07	107-00		179					



Pos	Part Number	Name	Remarks	Qty	Model
		throttle body			M97.01
1	996 605 115 01	throttle body		1	
2	996 110 319 00	gasket intermediate piece		1	
3	997 110 423 02	bracket		1	
4	900 385 025 04	pan-head screw M 6 X 40		4	
5	999 703 349 00	bonded rubber buffer		1	
6	900 377 010 04	hexagon nut M 6		1	
7	997 110 223 00	air box		1	
8	999 512 016 00	hose clamp 80 - 100/12		1	
9	---	intermediate piece see illustrations 1/07/10			
- - - E N D - - -					

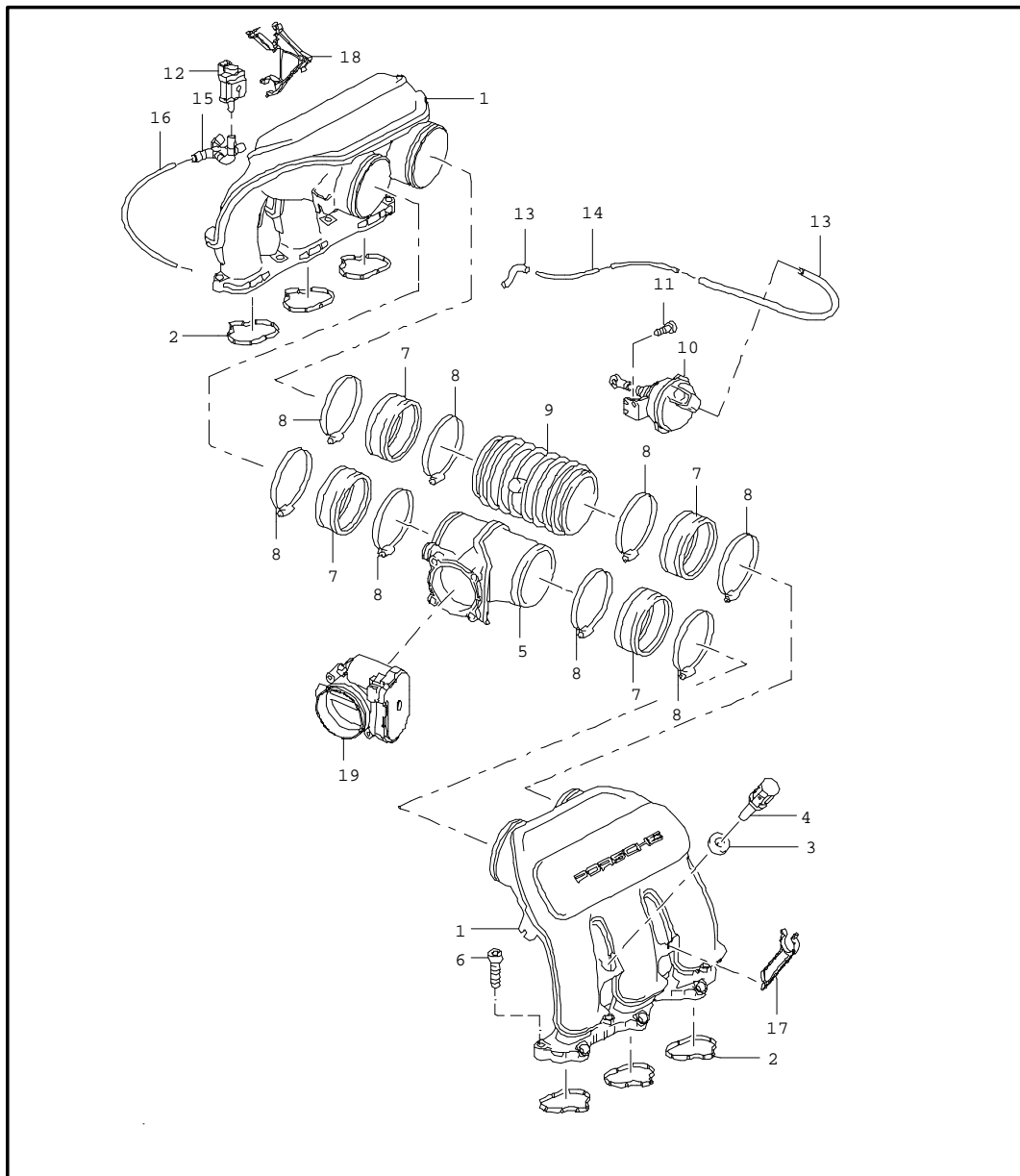


Model	Year	MG	SG	Illustration	Restrictions	Update	10:09	18.08.2004	PORSCHE	PET	PORSCHE
997	05	1	07	107-05		179					



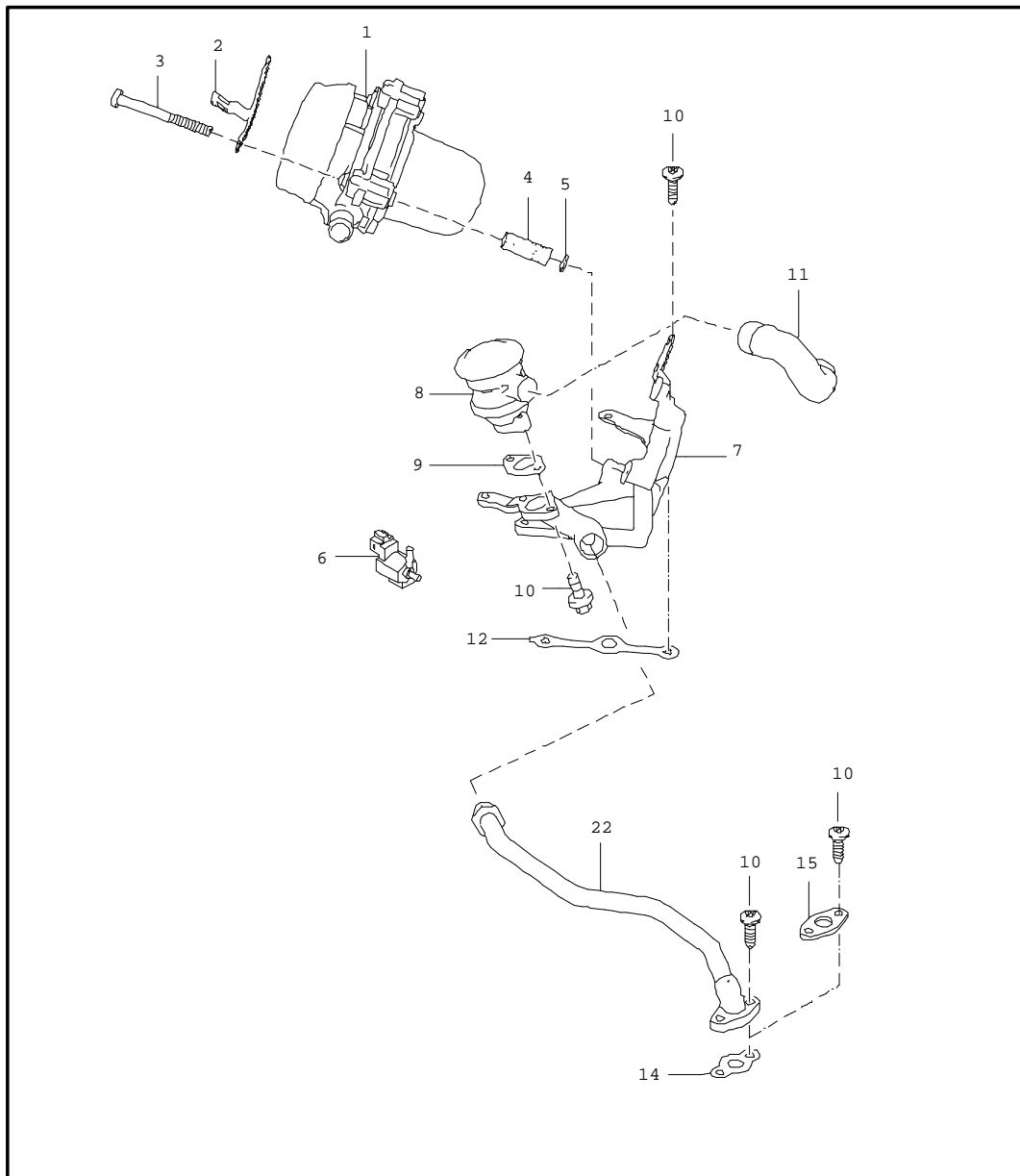
Pos	Part Number	Name	Remarks	Qty	Model
		fuel collection pipe			M97.01 M96.05
1	997 110 031 03	fuel collection pipe		1	
2	993 110 217 00	valve		2	
3	993 110 218 01	cap		1	
4	996 110 113 52	retaining clip		6	
5	900 385 041 09	hexagon-head bolt M 6 X 12		4	
6	997 605 122 00	injector valve		6	
7	944 110 901 01	o-ring 7,52 X 3,53		12	
8	997 110 129 00	vent line		1	M97.01
9	999 512 650 09	clip		1	
10	997 110 127 00	hose		1	M96.05
11	999 512 651 09	clip B 15 X 12		1	
12	996 101 223 00	support		1	
13	900 385 279 09	screw M6 X 12 MK		1	
14	996 101 213 56	support		1	
- - - E N D - - -					

Model	Year	MG	SG	Illustration	Restrictions	Update	10:09	18.08.2004	PORSCHE	PET	PORSCHE
997	05	1	07	107-10		179					



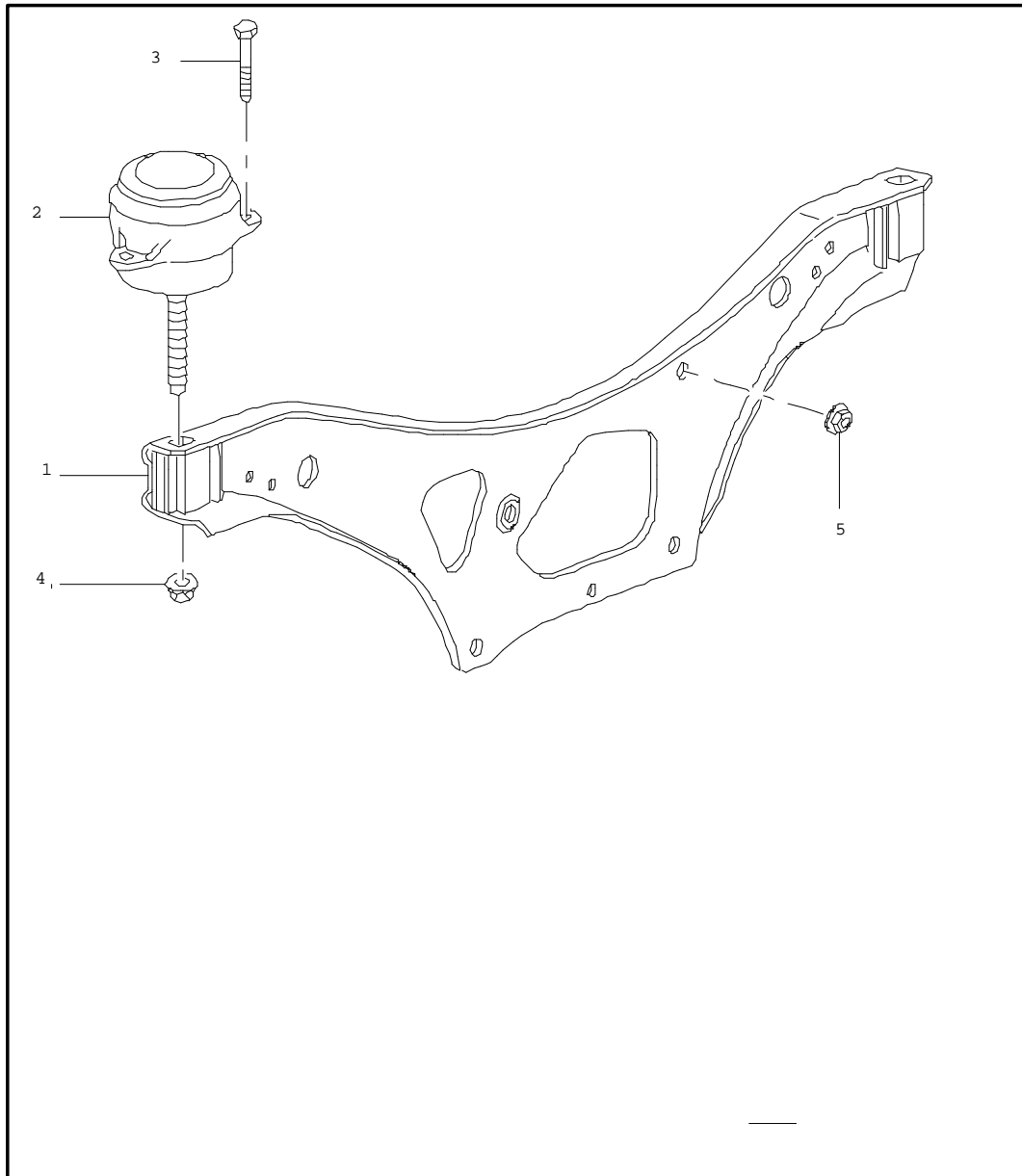
Pos	Part Number	Name	Remarks	Qty	Model
		intake distributor			M97.01
1	997 110 115 03	intake distributor		2	
2	996 110 247 50	gasket		6	
3	993 110 530 01	grommet		1	
4	996 606 113 01	temperature sensor		1	
5	997 110 416 03	distributor tube		1	
6	900 385 017 04	hexagon-head bolt M 6 X 35		8	
7	997 110 685 00	rubber sleeve		4	
8	999 512 539 00	hose clamp 90 - 110/9		8	
9	996 110 120 53	resonance tube		1	
10	993 110 462 02	vacuum unit		1	
11	900 146 123 02	screw M 5 X 16		2	
12	996 605 123 01	change-over valve		1	
13	928 574 717 03	protective tube		1	
14	---	hose 4,0 X 1		*	
15	928 573 729 03	distributor fourfold		1	
16	---	hose 4,0 X 1		1	
17	997 107 547 00	support vent line		1	
18	997 110 547 00	support lines		1	
19	---	see illustrations 1/07/00			
- - - E N D - - -					

Model	Year	MG	SG	Illustration	Restrictions	Update	10:09	18.08.2004	PORSCHE	PET	PORSCHE
997	05	1	08	108-05		179					



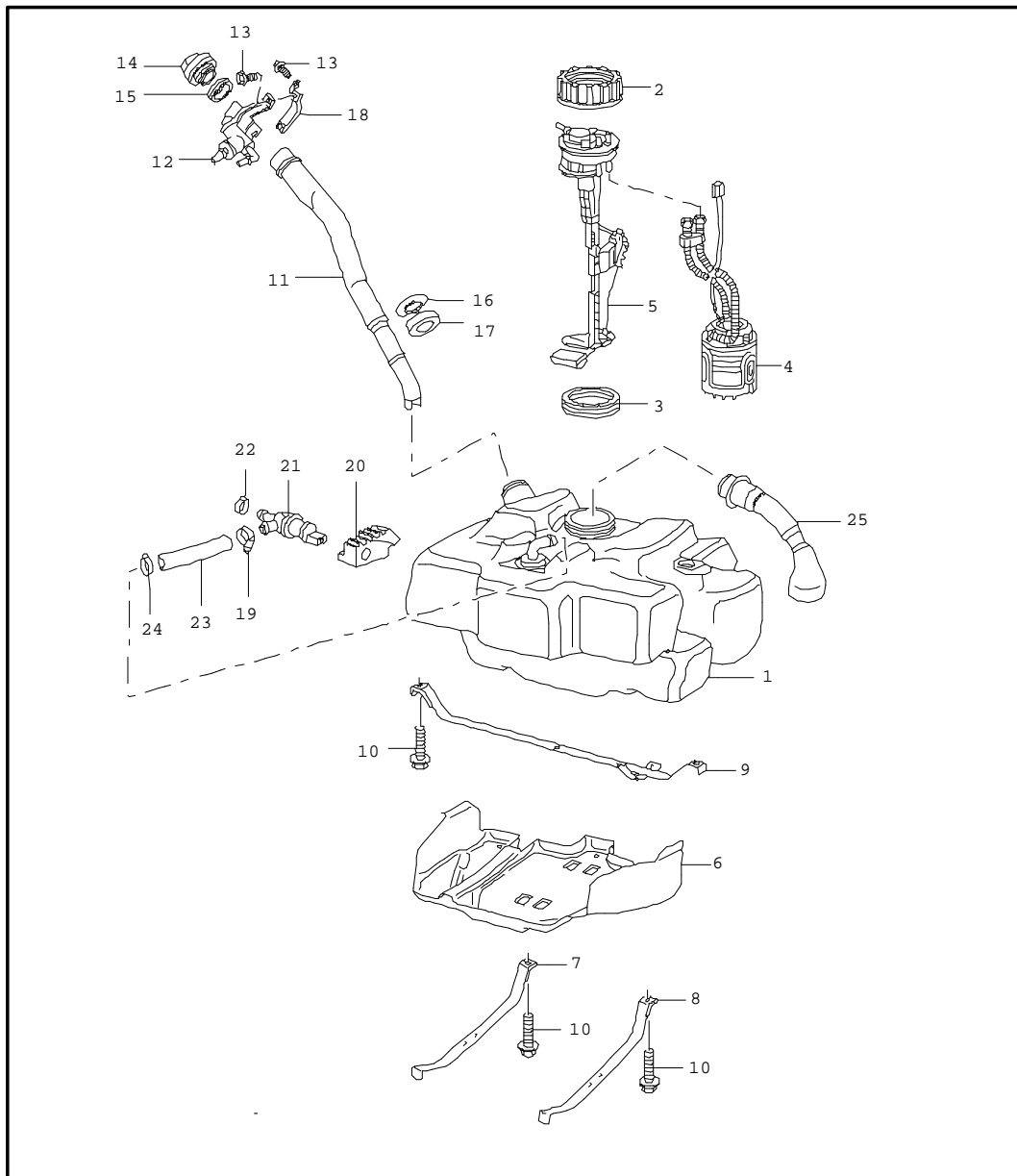
Pos	Part Number	Name	Remarks	Qty	Model
		air injection			M97.01 M96.05
1	997 605 104 00	air pump		1	
2	955 113 325 00	oval-head screw M 6 X 50		3	
3	997 110 429 40	support tank ventilation		1	
4	999 703 868 40	rubber mounting 8,76 X 33,3		3	
5	999 209 077 02	spacer sleeve 6,5 X 1		3	
6	996 605 123 01	change-over valve		1	
7	997 113 137 01	bracket secondary pump		1	
8	948 113 203 51	valve		1	
9	993 113 258 51	gasket		1	
10	999 073 195 09	round head screw M 6 X 20		9	
11	997 113 339 02	hose		1	
12	997 113 233 01	gasket bracket		1	
(12)	997 113 233 02	gasket bracket		1	
13	997 113 117 01	connecting line		1	
14	996 113 213 51	gasket connecting line		1	
15	997 113 340 00	cover		1	
- - - E N D - - -					

Model	Year	MG	SG	Illustration	Restrictions	Update	10:09	18.08.2004	PORSCHE	PET	PORSCHE
997	05	1	09	109-00		179					



Pos	Part Number	Name	Remarks	Qty	Model
		engine suspension			M97.01 M96.05
1	997 375 011 01	engine carrier		1	
2	997 375 049 03	engine mounting		2	
3	900 378 055 09	hexagon-head bolt M 8 X 40		4	
4	999 084 215 09	hexagon nut M 12 X 1,5		2	
5	999 076 053 09	hexagon nut M 10		4	
		- - - E N D - - -			

Model	Year	MG	SG	Illustration	Restrictions	Update	10:10	18.08.2004	PORSCHE	PET	PORSCHE
997	05	2	01	201-00		179					

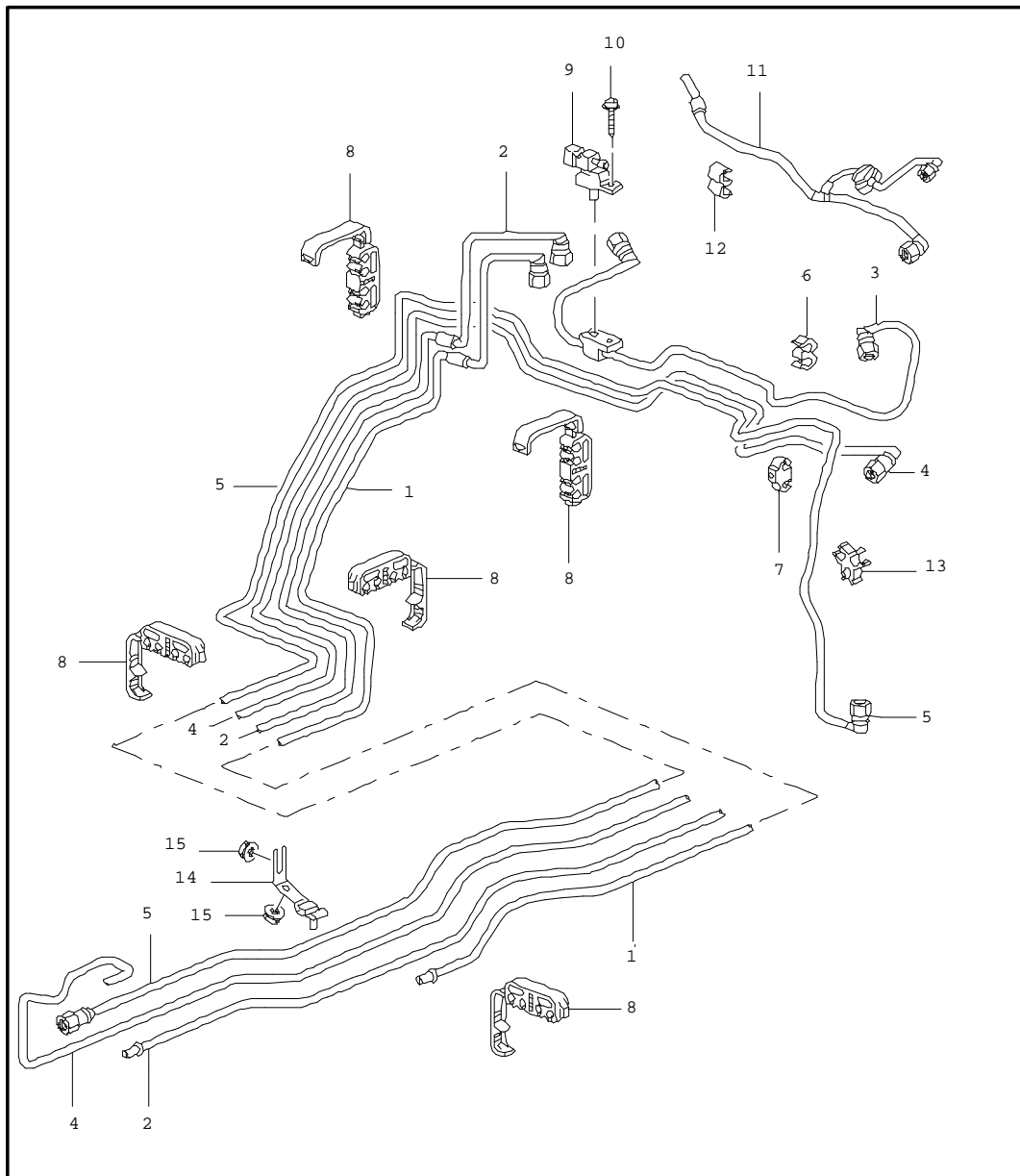


Pos	Part Number	Name	Remarks	Qty	Model
		fuel tank			
1	997 201 013 03	fuel tank	/LL	1	
(1)	997 201 014 01	fuel tank	/RL	1	
2	996 201 623 00	union nut		1	
3	321 919 133	sealing ring		1	
4	997 620 132 00	fuel pump		1	
5	996 620 832 01	tank gauge		1	
6	997 201 331 02	protective plate	/LL	1	
(6)	997 201 331 03	protective plate	/RL	1	
7	996 201 105 03	restraining strap left		1	
8	996 201 106 03	restraining strap right		1	
9	996 201 107 02	restraining strap	/LL	1	
9	996 201 108 00	restraining strap	/RL	1	
10	900 075 479 09	screw M 8 X 40		4	
11	997 201 043 00	filler neck		1	
11	997 201 043 01	filler neck		1	I 150/193
12	---	bleeder valve		1	
13	900 378 036 09	hexagon-head bolt M 6 X 12		1	
14	996 201 241 03	fuel tank cap with clip		1	
--	999 507 499 40	expansion rivet		1	
15	191 201 557	gasket		1	
16	996 201 755 00	support washer		1	
17	996 201 753 00	gasket		1	
18	997 201 751 00	support		1	

Model	Year	MG	SG	Illustration	Restrictions	Update	10:10	18.08.2004	PORSCHE	PET	PORSCHE
997	05	2	01	201-00		179					

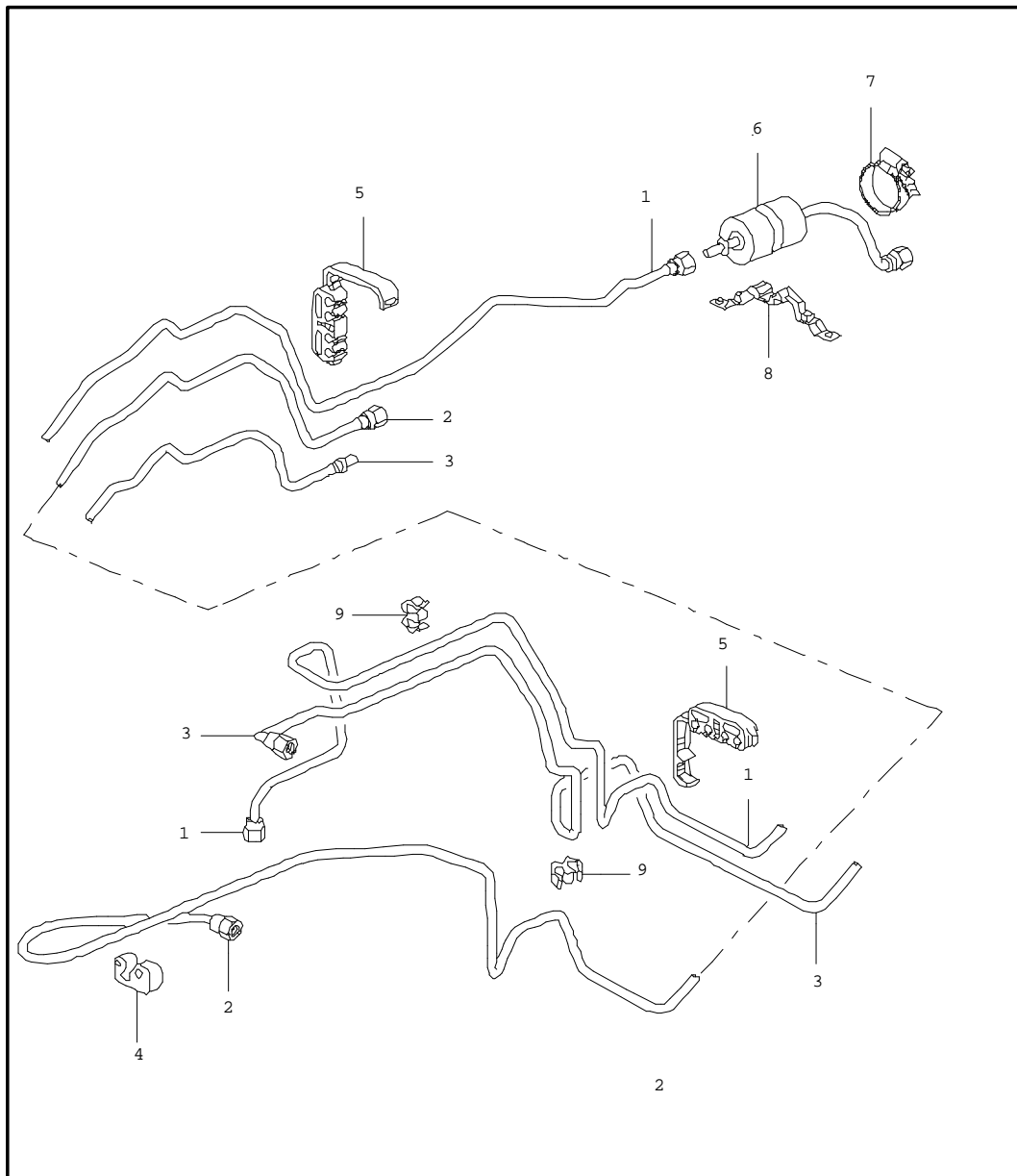
Pos	Part Number	Name	Remarks	Qty	Model	Pos	Part Number	Name	Remarks	Qty	Model
		- - - E N D - - -									

Model	Year	MG	SG	Illustration	Restrictions	Update	10:10	18.08.2004	PORSCHE	PET	PORSCHE
997	05	2	01	201-05		179					



Pos	Part Number	Name	Remarks	Qty	Model
		fuel system front			
1	986 201 261 01	pressure line		1	
2	996 201 271 00	return line		1	
3	996 201 251 01	vent line		1	
4	996 201 361 01	air tube		1	
5	997 201 351 02	air tube		1	
6	999 507 488 40	cable holder		1	
7	999 507 487 40	cable holder		1	
8	999 507 554 40	cable holder		8	
14	996 201 535 00	support		1	
15	999 049 022 40	plastic nut T5/22 X 10		2	
		- - - E N D - - -			

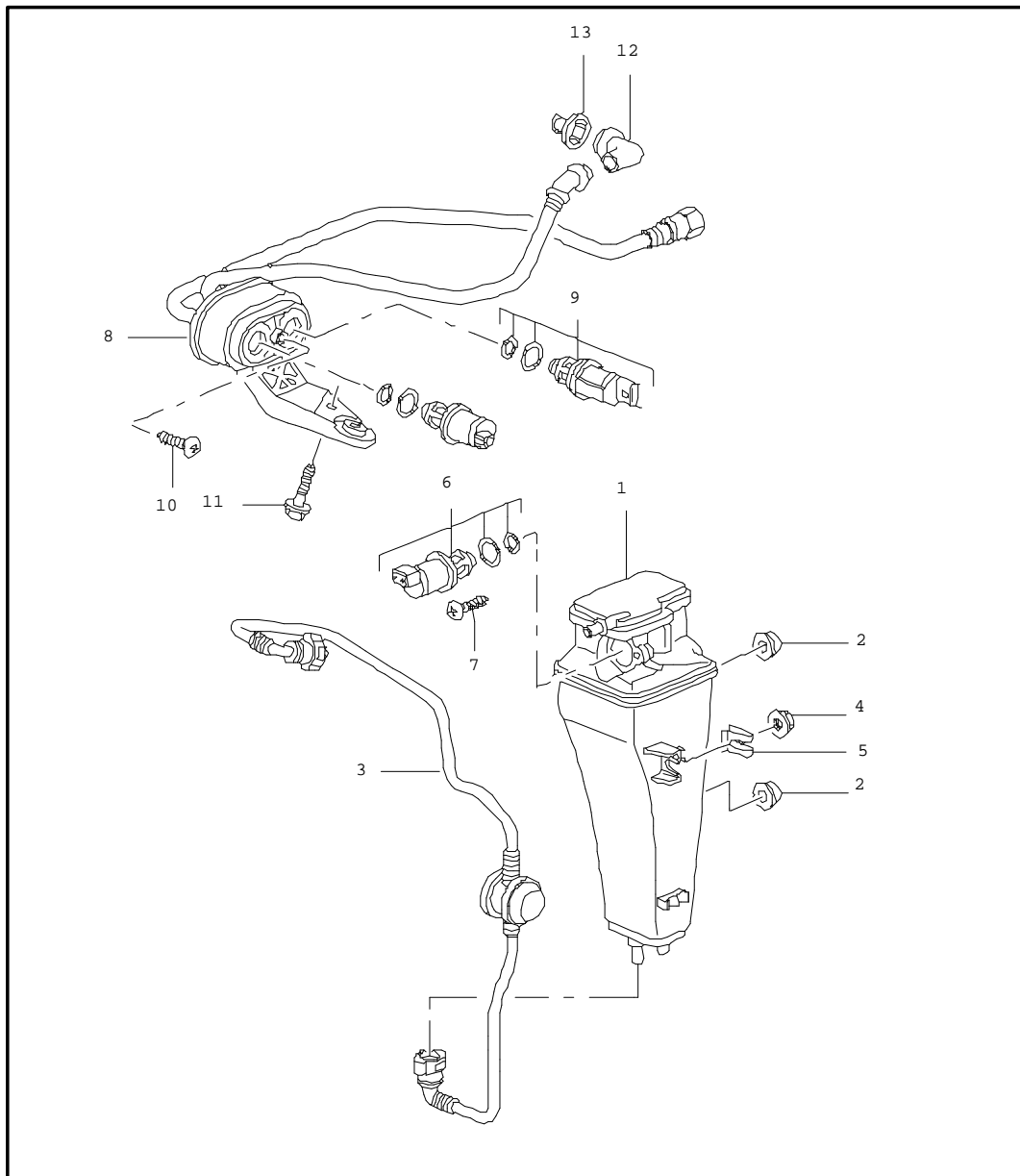
Model	Year	MG	SG	Illustration	Restrictions	Update	10:10	18.08.2004	PORSCHE	PET	PORSCHE
997	05	2	01	201-10		179					



Pos	Part Number	Name	Remarks	Qty	Model
		fuel system rear			
1	997 201 265 00	pressure line		1	
2	996 201 275 02	fuel line		1	
3	997 201 355 00	air tube		1	
4	999 591 922 40	cable holder		2	
5	999 507 521 40	cable holder		3	
6	996 110 253 01	fuel filter		1	
7	999 512 635 00	hose clamp 76 X 12		1	
8	996 504 517 00	support		1	
(9)	999 507 727 40	cable holder		2	
- - - E N D - - -					

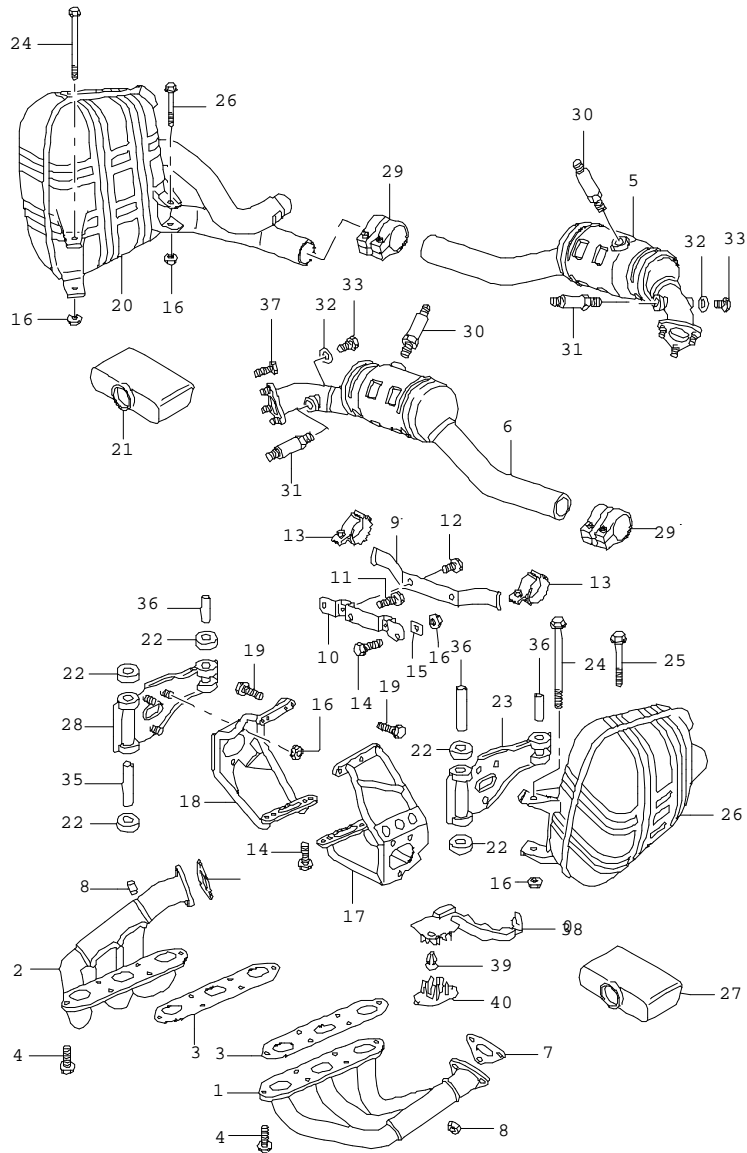


Model	Year	MG	SG	Illustration	Restrictions	Update	10:10	18.08.2004	PORSCHE	PET	PORSCHE
997	05	2	01	201-20		179					



Pos	Part Number	Name	Remarks	Qty	Model
		carbon canister			
1	997 201 221 01	carbon canister		1	
2	999 702 221 40	grommet		2	
3	996 201 255 07	vent line		1	
4	999 084 629 09	hexagon nut M 6		1	
5	999 507 543 02	clamp 2,00 - 3,00		1	
6	996 605 201 01	shut-off valve		1	I 660
7	999 919 171 07	oval-head screw 5,0 X 20		1	I 660
- - - E N D - - -					

Model	Year	MG	SG	Illustration	Restrictions	Update	10:11	18.08.2004	PORSCHE	PET	PORSCHE
997	05	2	02	202-00		179					

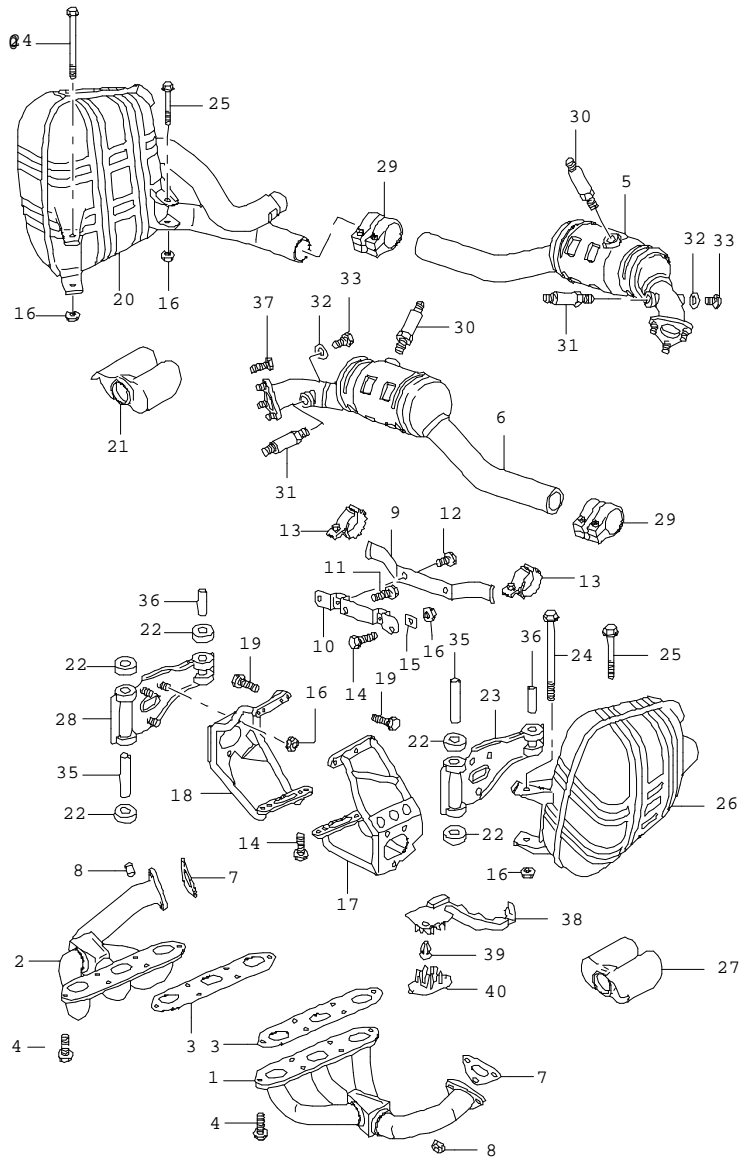


Pos	Part Number	Name	Remarks	Qty	Model
		exhaust system			M96.05
1	997 111 103 01	exhaust manifold		1	
2	997 111 104 01	exhaust manifold		1	
3	996 111 107 55	gasket		2	
4	900 378 238 00	hexagon-head bolt M 8 X 26		12	
5	997 113 033 02	catalytic converter		1	
6	997 113 034 02	catalytic converter		1	
7	997 111 113 00	gasket		2	
8	999 084 046 02	lock nut M 8		6	
9	996 113 123 53	support		1	
10	996 113 223 50	bracket		1	
11	900 378 188 09	hexagon-head bolt M 6 X 20		3	
12	900 378 123 09	hexagon-head bolt M 8 X 12		2	
13	997 111 230 00	clip		2	
14	900 378 022 09	hexagon-head bolt M 8 X 25		6	
15	900 031 001 02	washer 9,0 X 13 X 3,0		2	
16	900 380 005 09	hexagon nut M 8		12	
17	996 111 127 60	support		1	
18	996 111 128 57	support		1	
19	900 378 033 09	hexagon-head bolt M 8 X 30		4	
20	997 111 212 02	muffler		1	
20	997 111 232 02	muffler		1	I 068/ I 074 I 193/ I 479
21	997 111 152 00	tail pipe		1	

Model	Year	MG	SG	Illustration	Restrictions	Update	10:11	18.08.2004	PORSCHE	PET	PORSCHE
997	05	2	02	202-00		179					

Pos	Part Number	Name	Remarks	Qty	Model	Pos	Part Number	Name	Remarks	Qty	Model
22	996 111 229 00	damping piece		8							
23	996 111 237 03	support		1							
24	900 378 183 09	hexagon-head bolt M 8 X 140		2							
25	900 378 105 09	hexagon-head bolt M 8 X 70		2							
26	997 111 211 02	muffler		1							
26	997 111 231 02	muffler		1	I 068/ I 074 I 193/ I 479						
27	997 111 151 00	tail pipe		1							
28	996 111 238 03	support		1							
29	997 111 520 00	clamping sleeve		2							
30	996 606 178 01	oxygen sensor		2							
31	996 606 168 01	oxygen sensor		2							
32	900 123 050 20	sealing ring 8 X 11,5		2							
33	900 124 021 05	screw plug M 8 X 1		2							
35	---	spacer sleeve long		2							
36	---	spacer sleeve short		2							
37	900 074 287 02	hexagon-head bolt M 8 X 35		6							
38	996 606 156 00	cable guide oxygen sensor		1							
39	999 591 941 40	expansion rivet ST 4,2		3							
40	993 606 105 00	support oxygen sensor		1							
		- - - E N D - - -									

Model	Year	MG	SG	Illustration	Restrictions	Update	10:11	18.08.2004	PORSCHE	PET	PORSCHE
997	05	2	02	202-01		179					

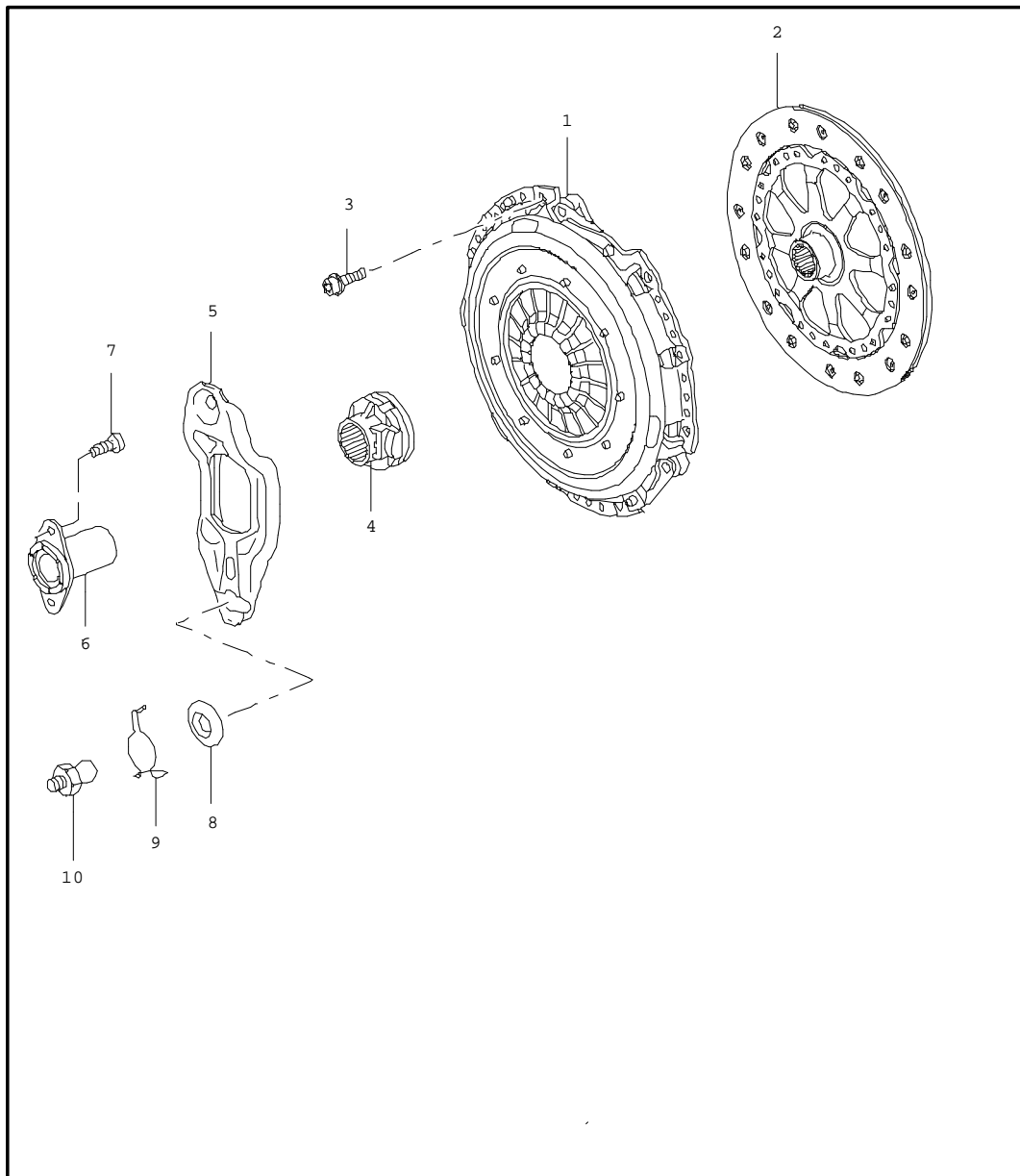


Pos	Part Number	Name	Remarks	Qty	Model
		exhaust system			M97.01
1	997 111 101 01	exhaust manifold		1	
2	997 111 102 02	exhaust manifold		1	
3	996 111 107 55	gasket		2	
4	900 378 238 00	hexagon-head bolt M 8 X 26		12	
5	997 113 033 01	catalytic converter		1	
6	997 113 034 01	catalytic converter		1	
7	997 111 113 00	gasket		2	
8	999 084 046 02	lock nut M 8		6	
9	996 113 123 53	support		1	
10	996 113 223 50	bracket		1	
11	900 378 188 09	hexagon-head bolt M 6 X 20		3	
12	900 378 123 09	hexagon-head bolt M 8 X 12		2	
13	997 111 230 00	clip		2	
14	900 378 022 09	hexagon-head bolt M 8 X 25		6	
15	900 031 001 02	washer 9,0 X 13 X 3,0		2	
16	900 380 005 09	hexagon nut M 8		12	
17	996 111 127 60	support		1	
18	996 111 128 57	support		1	
19	900 378 033 09	hexagon-head bolt M 8 X 30		4	
20	997 111 412 03	muffler		1	
20	997 111 432 03	muffler		1	I 068/ I 074 I 193/ I 479
21	997 111 352 01	tail pipe		1	

Model	Year	MG	SG	Illustration	Restrictions	Update	10:11	18.08.2004	PORSCHE	PET	PORSCHE
997	05	2	02	202-01		179					

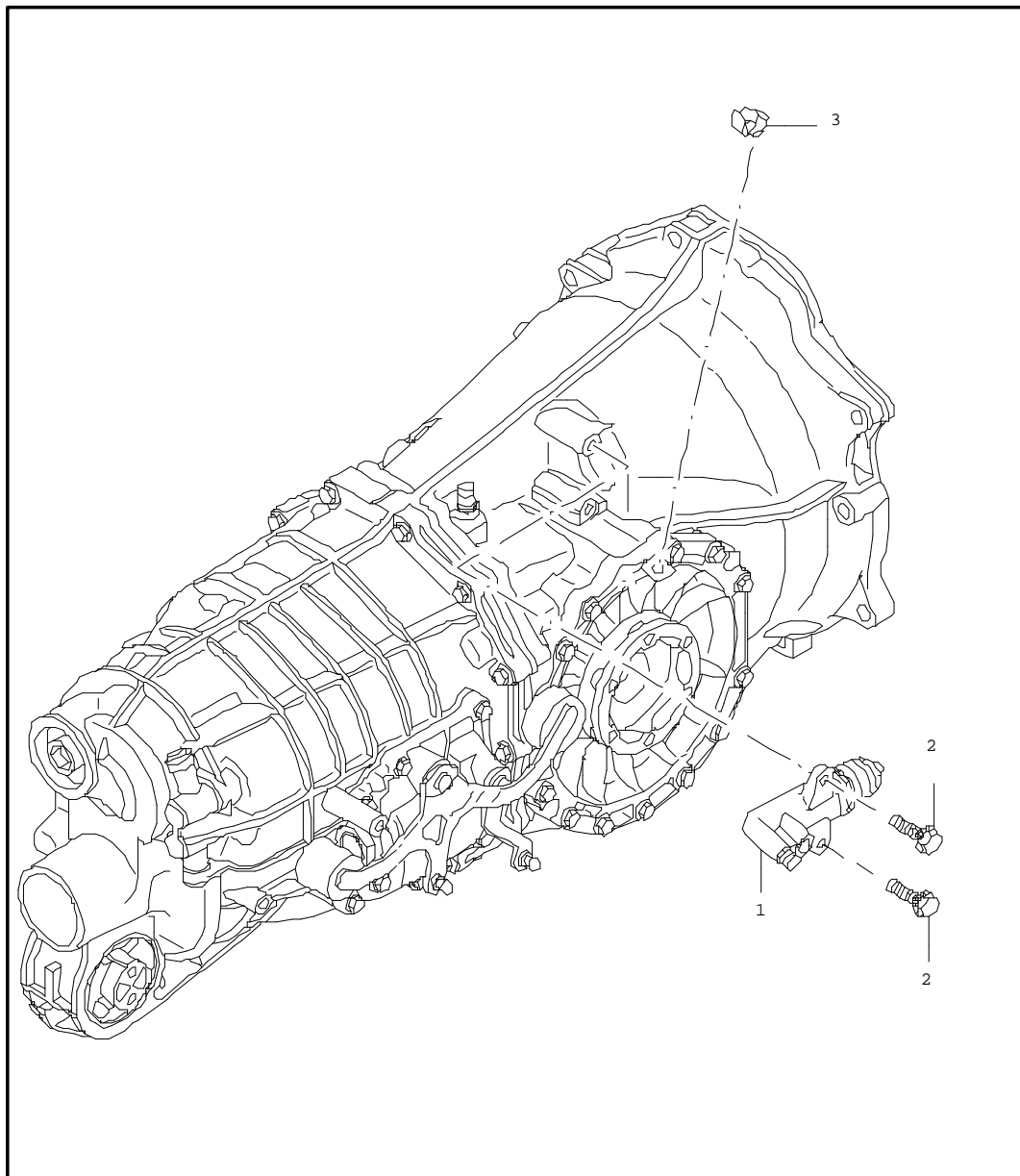
Pos	Part Number	Name	Remarks	Qty	Model	Pos	Part Number	Name	Remarks	Qty	Model
22	996 111 229 01	damping piece		8							
23	996 111 237 03	support		1							
24	900 378 183 09	hexagon-head bolt M 8 X 140		2							
25	900 378 105 09	hexagon-head bolt M 8 X 70		2							
26	997 111 411 03	muffler		1							
26	997 111 431 03	muffler		1	I 068/ I 074 I 193/ I 479						
27	997 111 351 01	tail pipe		1							
28	996 111 238 03	support		1							
29	996 111 520 00	clamping sleeve		2							
30	996 606 178 01	oxygen sensor		2							
31	996 606 168 01	oxygen sensor		2							
32	900 123 050 20	sealing ring 8 X 11,5		2							
33	900 124 021 05	screw plug M 8 X 1		2							
34	996 111 229 00	damping piece		8							
35	---	spacer sleeve long		2							
36	---	spacer sleeve short		2							
37	900 074 287 02	hexagon-head bolt M 8 X 35		6							
38	996 606 156 00	cable guide oxygen sensor		1							
39	999 591 941 40	expansion rivet ST 4,2		3							
40	993 606 105 00	support oxygen sensor		1							
		- - - E N D - - -									

Model	Year	MG	SG	Illustration	Restrictions	Update	10:11	18.08.2004	PORSCHE	PET	PORSCHE
997	05	3	01	301-00		179					



Pos	Part Number	Name	Remarks	Qty	Model
		clutch			M97.01 M96.05
1	997 116 027 12	pressure plate		1	M97.01
(1)	997 116 027 00	pressure plate		1	M96.05
2	997 116 013 10	clutch plate		1	
3	900 387 265 09	pan-head screw M 8 X 16		6	
4	997 116 080 00	clutch release bearing		1	
5	997 116 712 00	clutch release lever		1	
6	996 116 087 01	guide tube		1	
7	N 903 663 01	pan-head screw M 8 X 22		2	
8	996 116 743 00	sealing ring		1	
9	996 116 741 00	clamp		1	
10	997 116 716 00	ball pin		1	
		- - - E N D - - -			

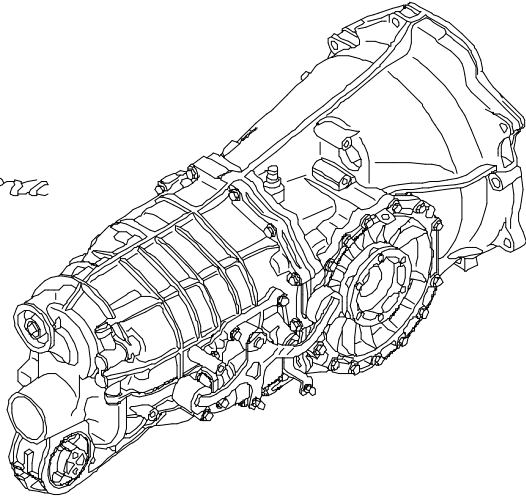
Model	Year	MG	SG	Illustration	Restrictions	Update	10:11	18.08.2004	PORSCHE	PET	PORSCHE
997	05	3	01	301-05		179					



Pos	Part Number	Name	Remarks	Qty	Model
		clutch release clutch operating cylinder			G97.01
1	996 116 237 06	clutch operating cylinder		1	
2	900 378 033 09	hexagon-head bolt M 8 X 30		2	
3	999 507 586 40	cable holder		1	
		- - - E N D - - -			

Model	Year	MG	SG	Illustration	Restrictions	Update	10:11	18.08.2004	PORSCHE	PET	PORSCHE
997	05	3	02	302-00		179					

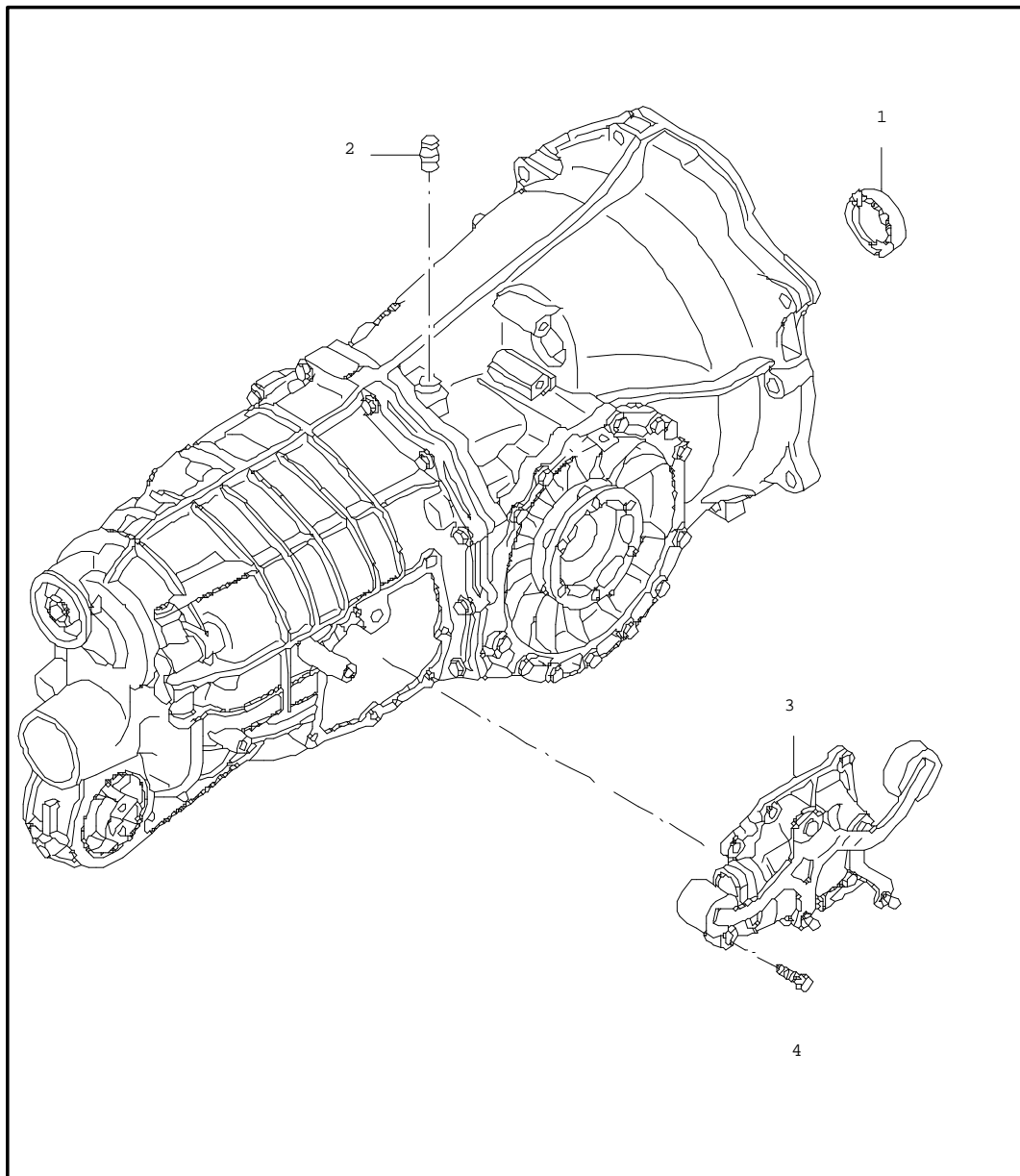
*Carrera*



Pos	Part Number	Name	Remarks	Qty	Model
		manual transmission replacement transmission			G97.01
1	997 300 010 01	transmission		1	I 219
(1)	997 300 020 01	transmission with limited-slip differential		1	I 220
		- - - E N D - - -			

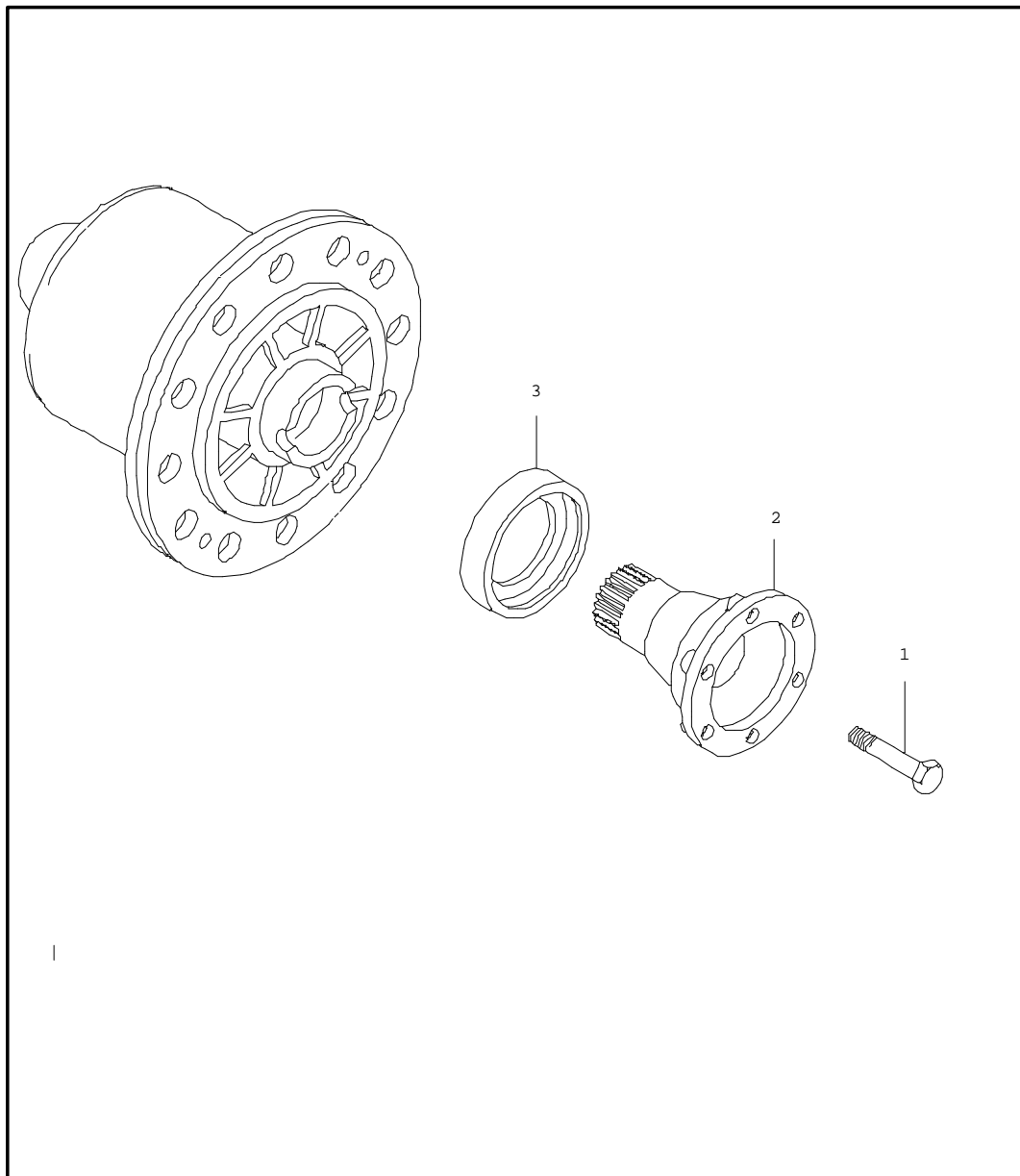


Model	Year	MG	SG	Illustration	Restrictions	Update	10:12	18.08.2004	PORSCHE	PET	PORSCHE
997	05	3	02	302-05		179					



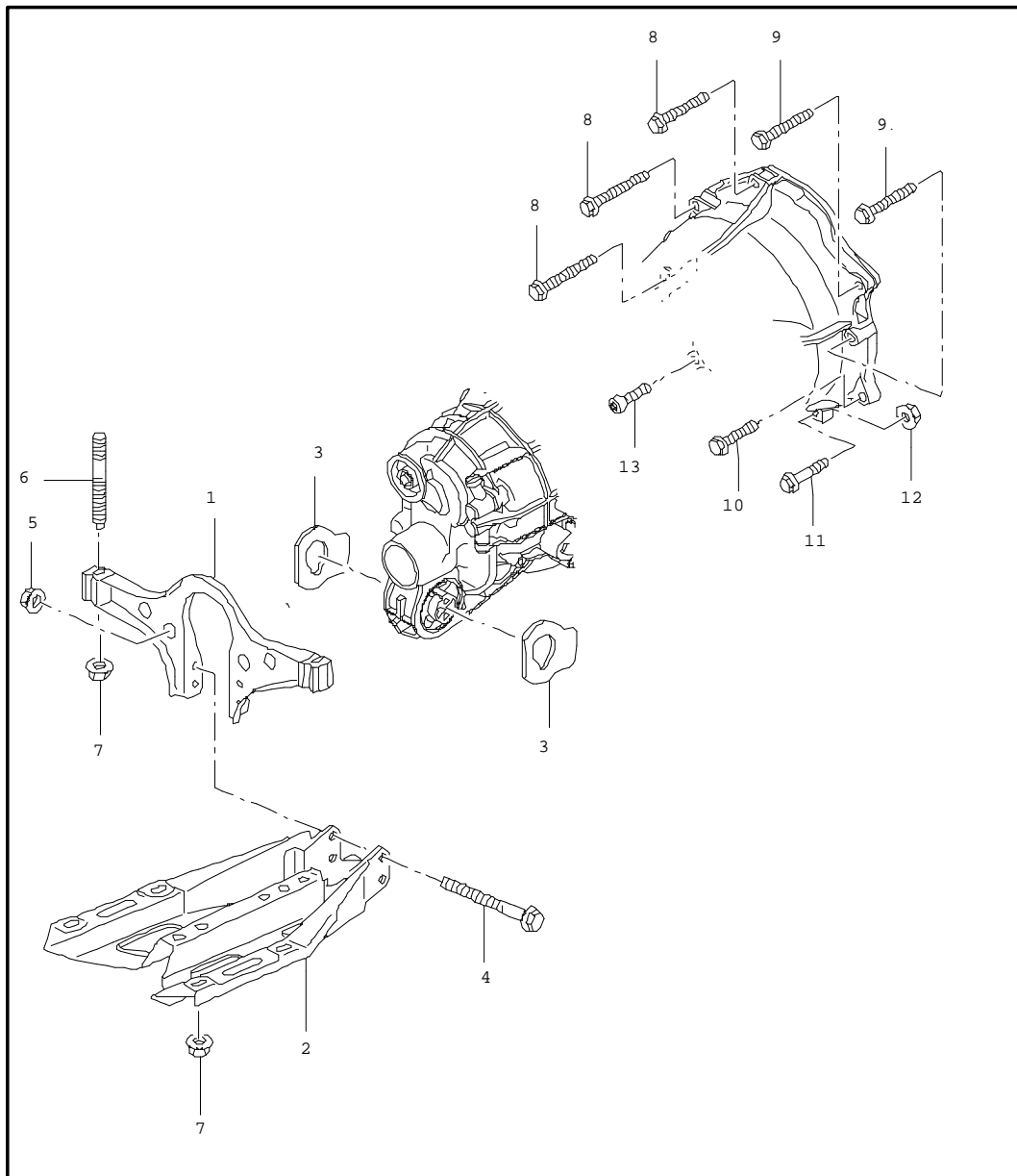
Pos	Part Number	Name	Remarks	Qty	Model
		manual transmission gearshift unit			G97.01
1	997 302 807 00	shaft seal		1	
2	997 613 180 00	back-up light switch		1	
3	997 303 030 00	gearshift unit		1	
4	997 303 808 00	hexagon-head bolt		7	
-	997 301 808 00	sealing ring		3	
-	997 301 807 00	screw plug		3	
		- - - E N D - - -			

Model	Year	MG	SG	Illustration	Restrictions	Update	10:12	18.08.2004	PORSCHE	PET	PORSCHE
997	05	3	05	305-00		179					



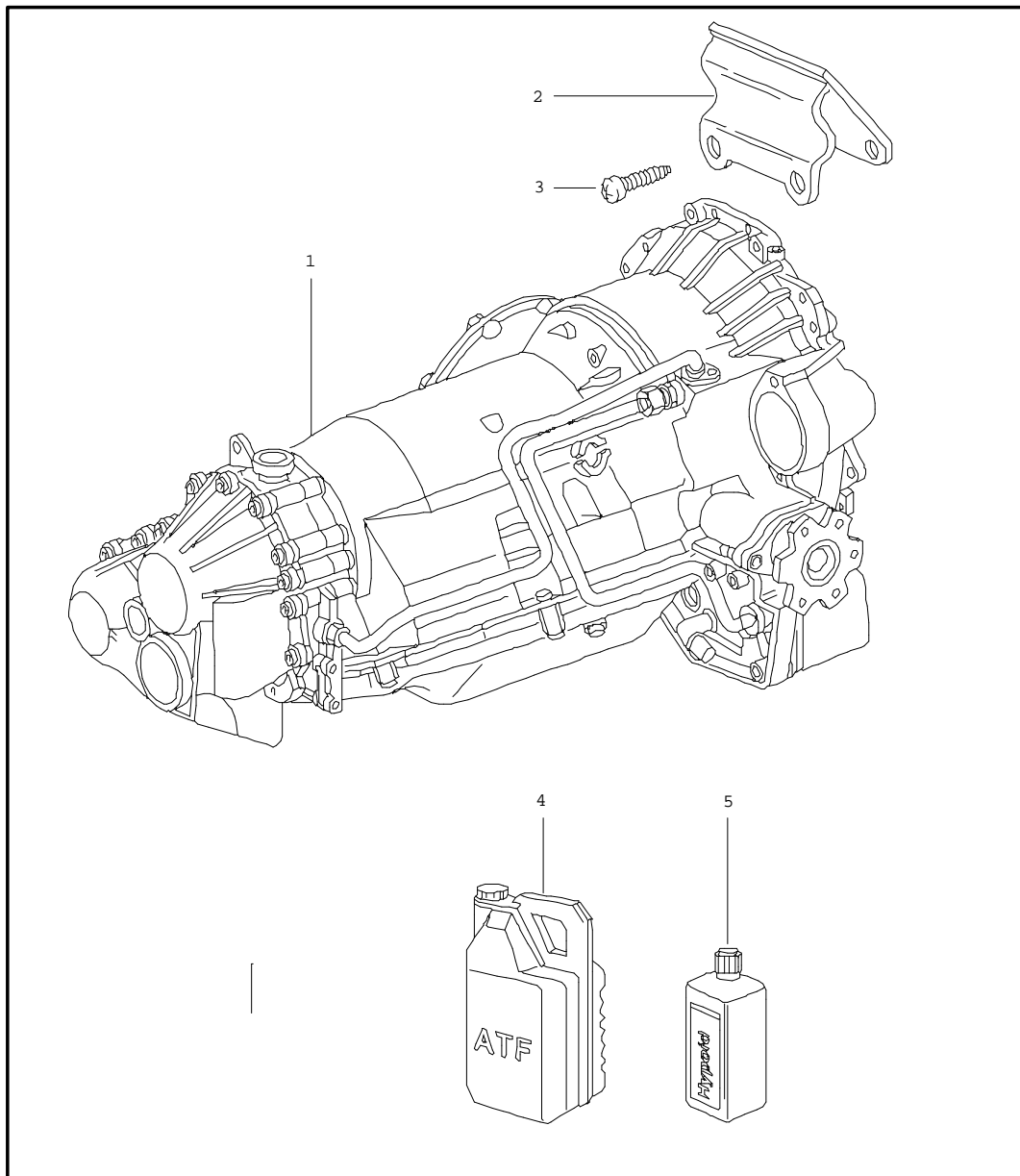
Pos	Part Number	Name	Remarks	Qty	Model
		manual transmission differential			G97.01
-	997 332 249 00	snap ring		2	
2	997 332 209 00	joint flange		2	
3	997 332 803 00	shaft seal left		1	
(3)	997 332 804 00	shaft seal right		1	
		- - - E N D - - -			

Model	Year	MG	SG	Illustration	Restrictions	Update	10:12	18.08.2004	PORSCHE	PET	PORSCHE
997	05	3	06	306-00		179					



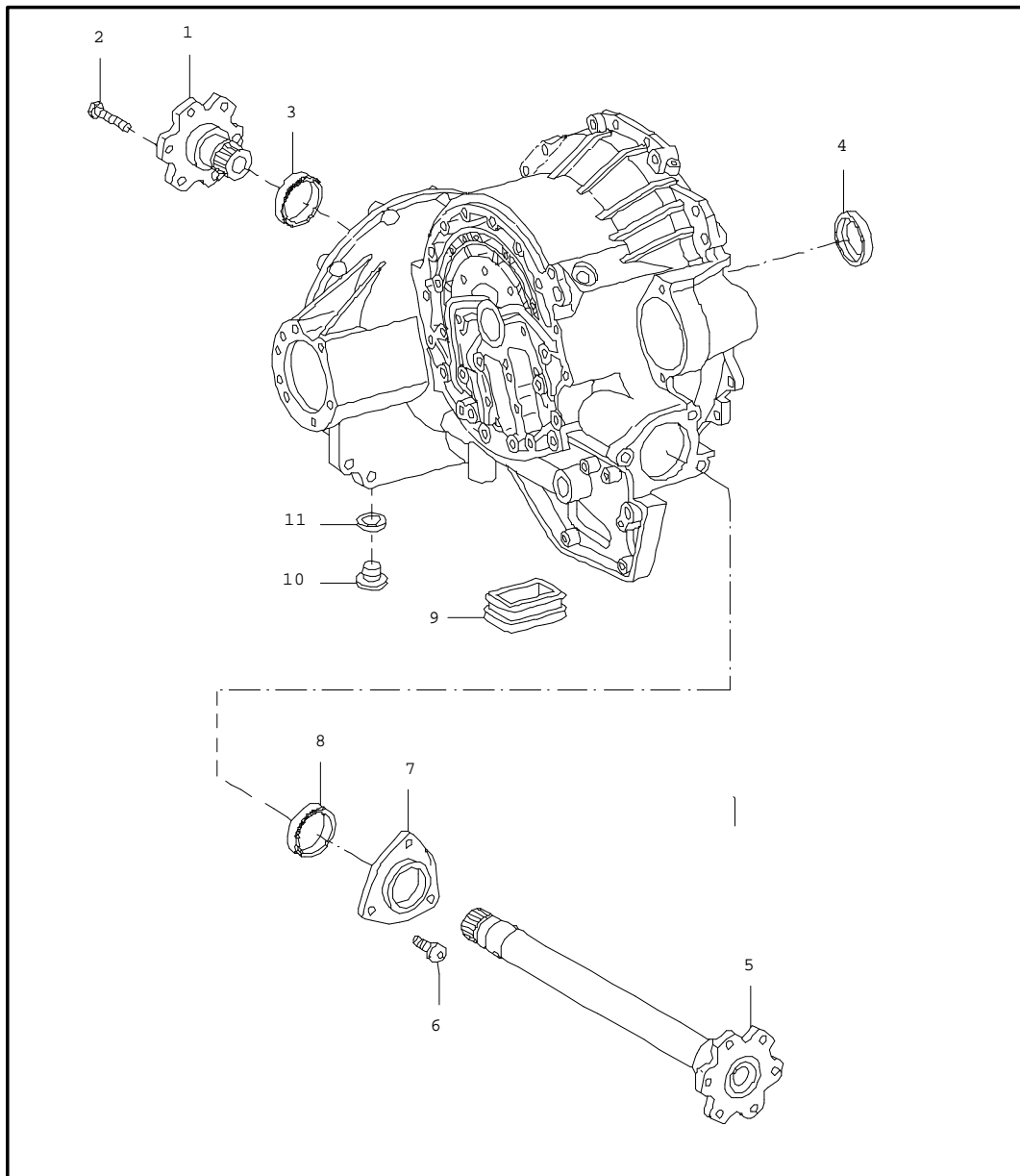
Pos	Part Number	Name	Remarks	Qty	Model
		manual transmission transmission suspension threaded joint engine			G97.01
1	997 375 039 00	transmission carrier		1	
2	997 375 313 00	transmission carrier		1	
3	997 375 255 00	stop		2	
4	900 378 132 09	hexagon-head bolt M 10 X 115		2	
5	900 380 008 09	hexagon nut M 10		2	
6	999 061 106 09	stud M 10 X 84		2	
7	999 076 053 09	hexagon nut M 10		6	
8	999 072 010 09	hexagon-head bolt M 12 X 1,5 X 100		2	
9	999 072 008 09	hexagon-head bolt M 12 X 1,5 X 70		3	
10	900 378 061 09	hexagon-head bolt M 12 X 1,5 X 50		1	
11	900 378 076 09	hexagon-head bolt M 10 X 50		1	
12	900 377 011 09	hexagon nut M 10		1	
13	999 073 119 09	pan-head screw M 10 X 50		1	
		- - - E N D - - -			

Model	Year	MG	SG	Illustration	Restrictions	Update	10:12	18.08.2004	PORSCHE	PET	PORSCHE
997	05	3	20	320-00		179					



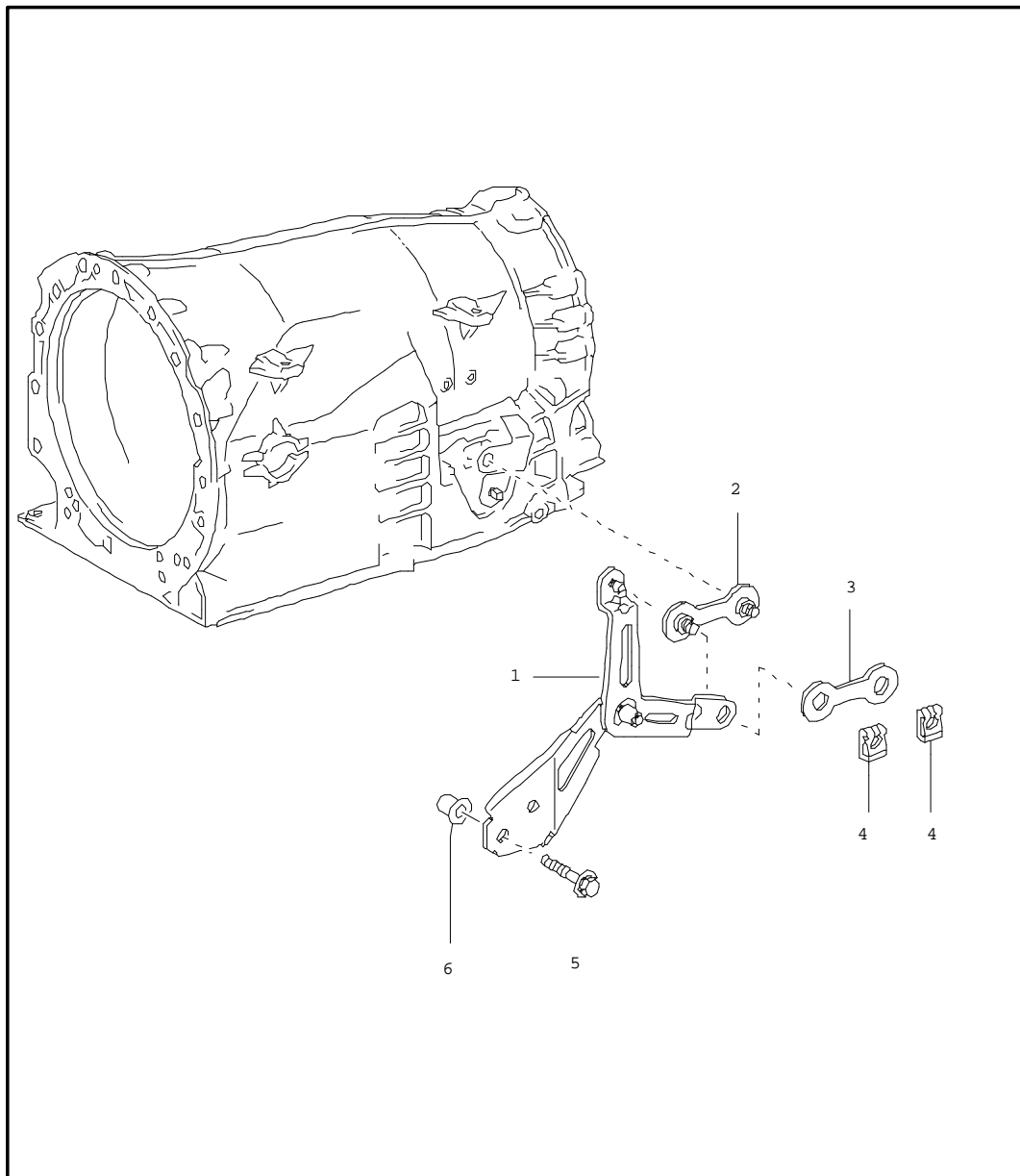
Pos	Part Number	Name	Remarks	Qty	Model
		TIPTRONIC replacement transmission			A97.01
1	722 270 230 0	transmission		1	
2	996 449 101 50	hook		1	
3	999 073 190 09	oval-head screw M 8 X 60		2	
4	000 043 204 41	transmission oil ATF 20 LTR. GEBINDE		X	
5	999 917 546 00	transmission oil 75 W 90 1 LTR. container		X	
- - - E N D - - -					

Model	Year	MG	SG	Illustration	Restrictions	Update	10:12	18.08.2004	PORSCHE	PET	PORSCHE
997	05	3	20	320-05		179					



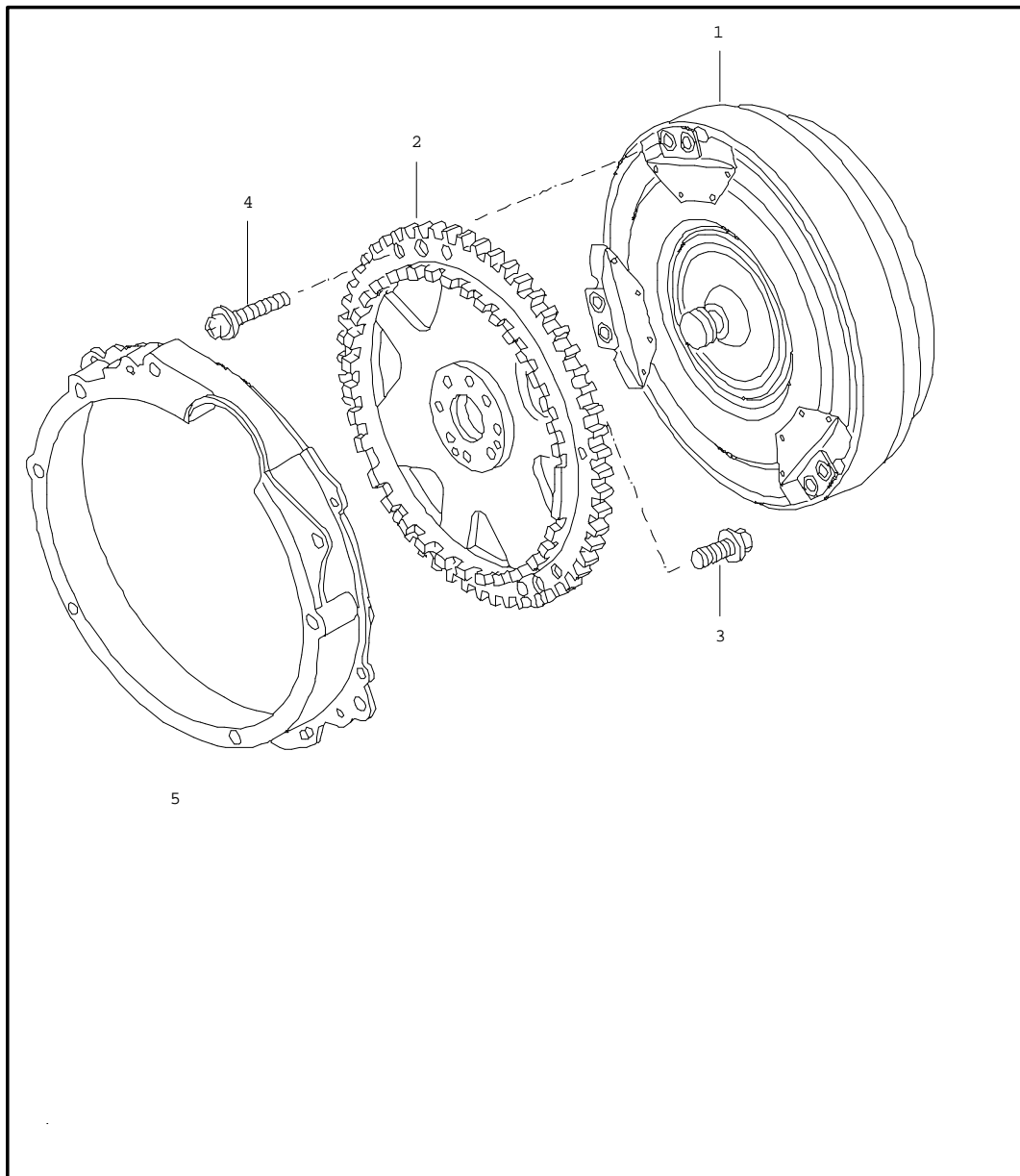
Pos	Part Number	Name	Remarks	Qty	Model
		TIPTRONIC differential			A97.01
3	022 997 924 7	shaft seal		1	
4	018 997 044 7	shaft seal oil pump		1	
8	022 997 934 7	shaft seal		1	
9	722 271 028 7	sealing rubber		1	
10	210 997 003 2	screw plug		1	
11	---	sealing ring		1	
- - - E N D - - -					

Model	Year	MG	SG	Illustration	Restrictions	Update	10:13	18.08.2004	PORSCHE	PET	PORSCHE
997	05	3	20	320-06		179					



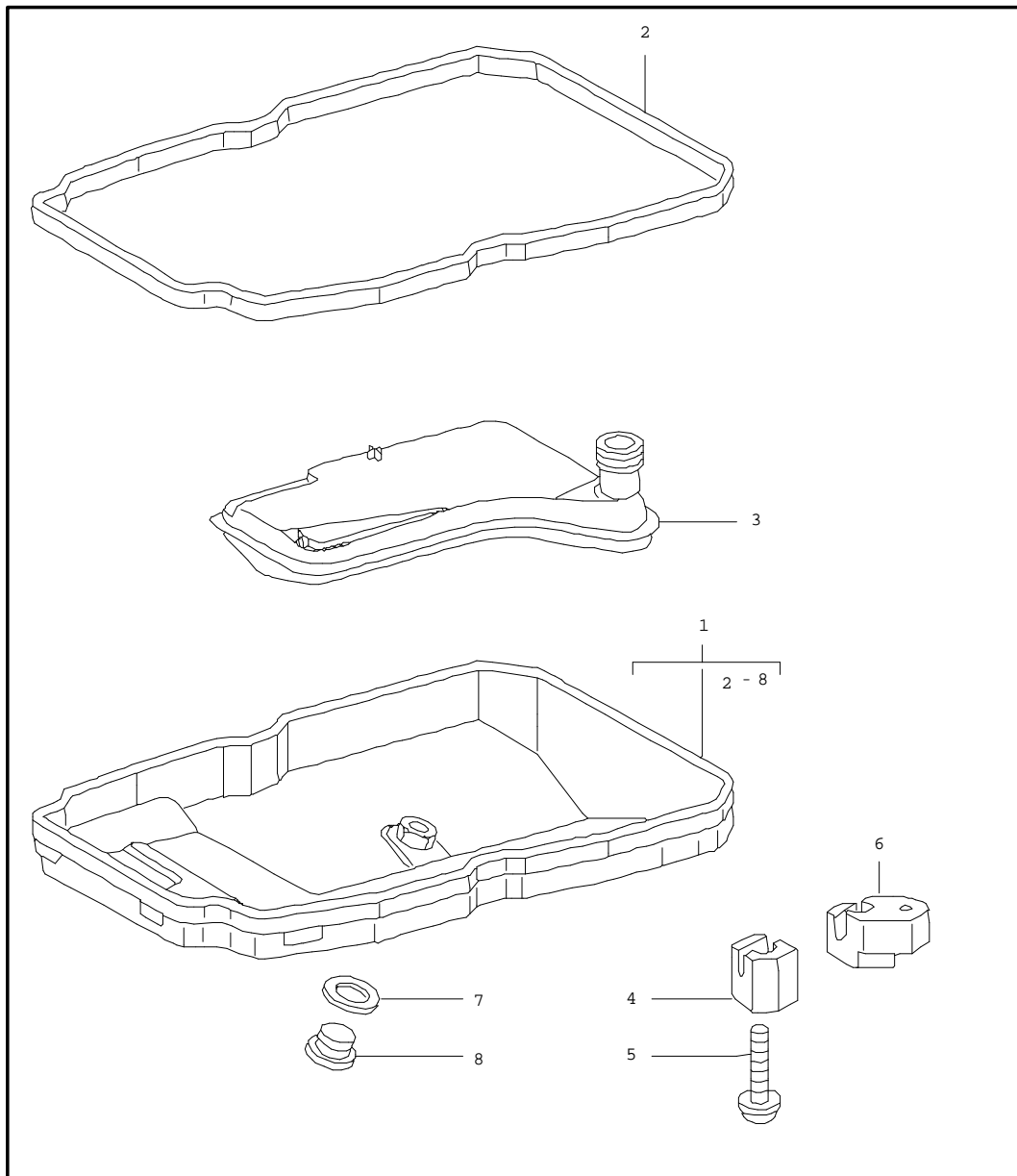
Pos	Part Number	Name	Remarks	Qty	Model
		TIPTRONIC selector lever			A97.01
1	722 270 011 0	selector lever		1	
2	722 270 025 9	lever		2	
3	722 278 032 0	lever		1	
4	999 166 079 02	lock washer		2	
5	---	screw		2	
6	722 992 002 0	sleeve		1	
- - - E N D - - -					

Model	Year	MG	SG	Illustration	Restrictions	Update	10:13	18.08.2004	PORSCHE	PET	PORSCHE
997	05	3	30	330-00		179					



Pos	Part Number	Name	Remarks	Qty	Model
		TIPTRONIC torque converter drive plate			A97.01
1	722 250 120 2	torque converter		1	
2	996 116 075 16	drive plate		1	
3	999 073 091 09	pan-head screw M 10 X 1 X 25		8	
4	900 067 369 09	pan-head screw M 8 X 20		6	
5	996 116 101 10	intermediate housing engine and transmission		1	
- - - E N D - - -					

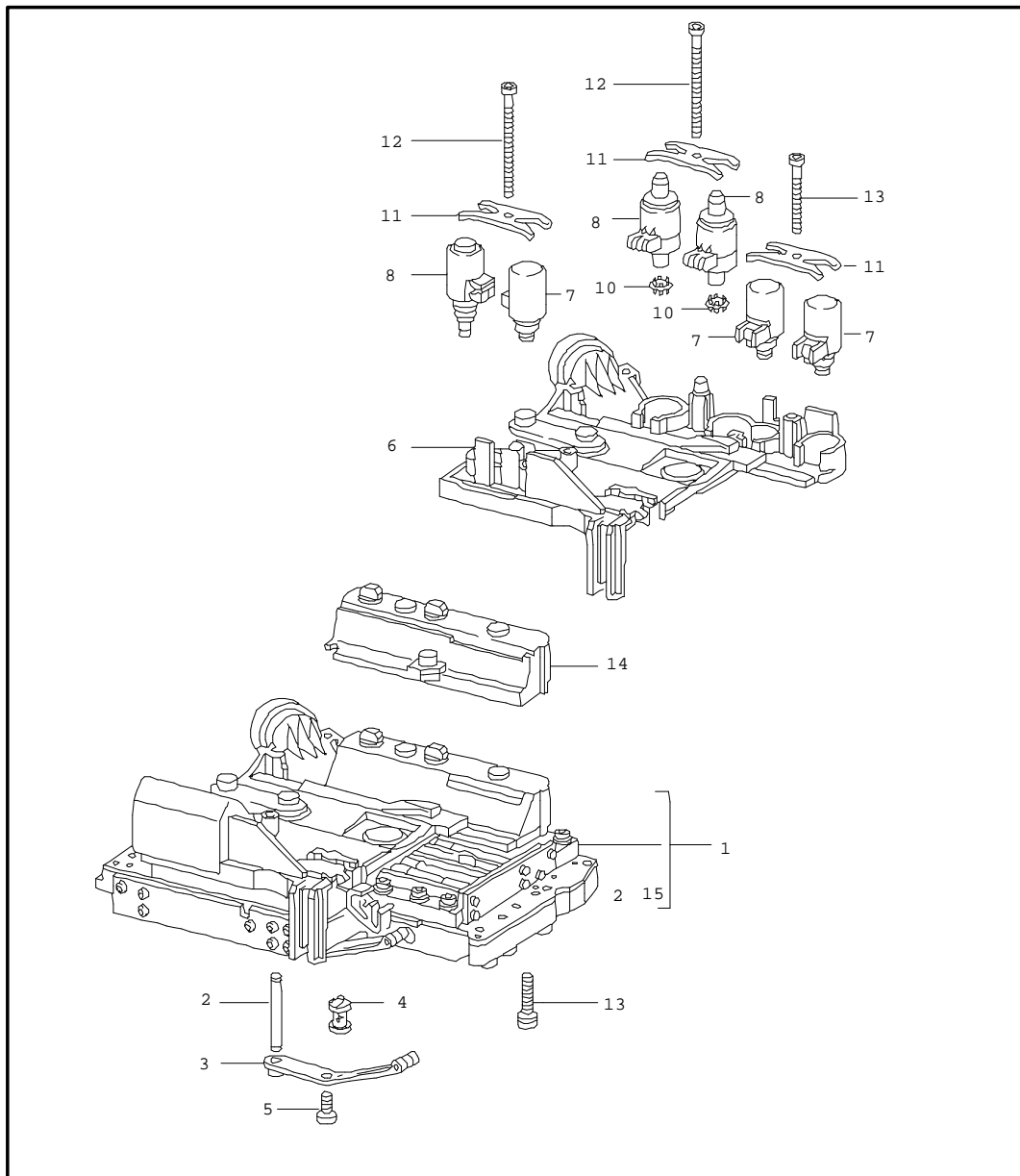
Model	Year	MG	SG	Illustration	Restrictions	Update	10:13	18.08.2004	PORSCHE	PET	PORSCHE
997	05	3	40	340-00		179					



Pos	Part Number	Name	Remarks	Qty	Model
		TIPTRONIC oil filter oil pan			A97.01
1	722 270 161 2	oil pan		1	
2	140 271 008 0	oil sump gasket		1	
3	722 277 009 5	oil filter		1	
4	140 271 006 8	clamping sleeve		6	
5	999 073 202 09	pan-head screw M 6 X 22		6	
6	---	clamping sleeve		X	
7	900 123 062 20	sealing ring		1	
8	900 219 007 02	screw plug		1	
		- - - E N D - - -			

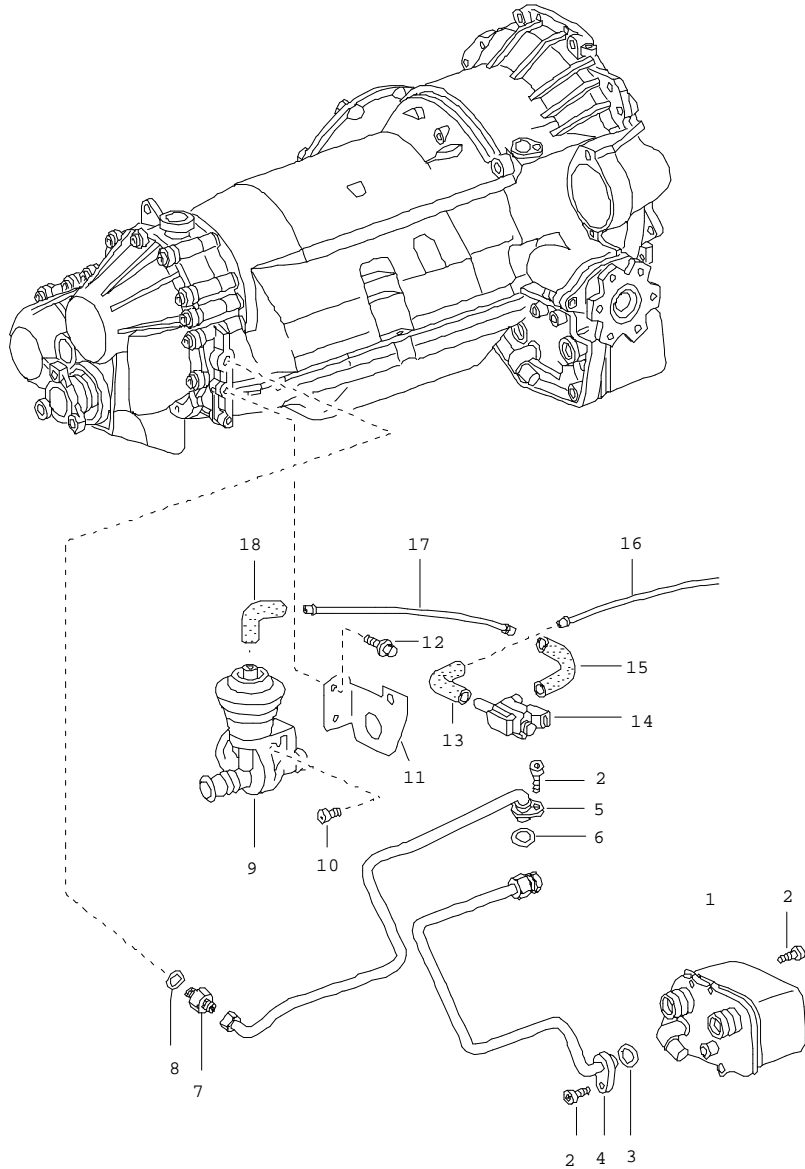


Model	Year	MG	SG	Illustration	Restrictions	Update	10:13	18.08.2004	PORSCHE	PET	PORSCHE
997	05	3	40	340-05		179					



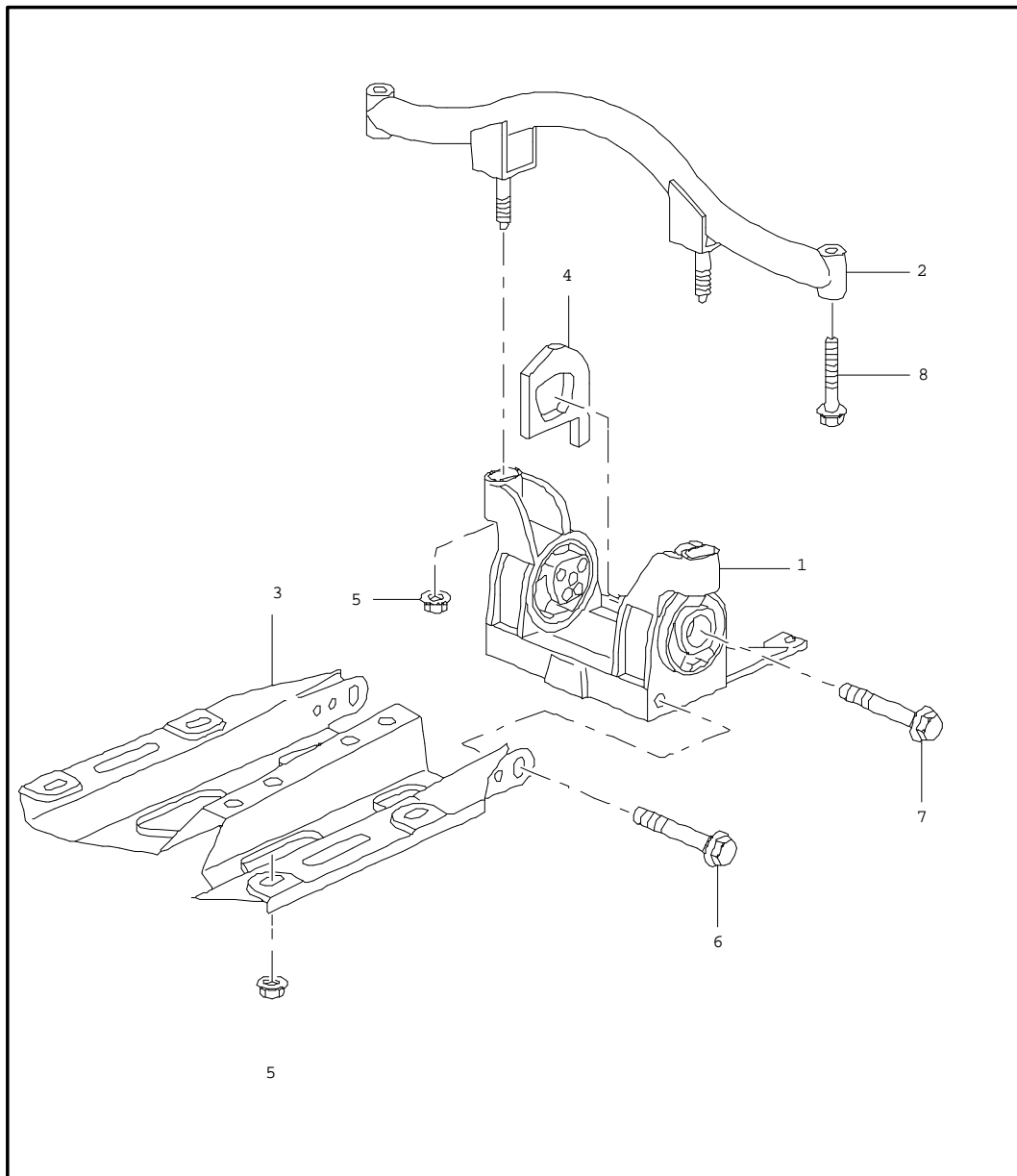
Pos	Part Number	Name	Remarks	Qty	Model
		TIPTRONIC switch unit solenoid valve pressure regulator			A97.01
1	722 270 020 6	switch unit		1	
2	140 277 007 5	pin		1	
3	140 270 017 8	spring		1	
4	140 270 029 8	filter		1	
5	170 990 012 0	screw		1	
6	140 270 056 1	electric equipment		1	
7	140 277 053 5	valve		3	
8	140 277 039 8	solenoid valve		2	
9	140 277 043 5	solenoid valve		1	
10	140 270 049 8	filter		2	
11	140 276 000 3	spring plate		3	
12	140 277 107 1	screw		2	
13	140 277 117 10	screw		1	
14	140 271 078 2	cover		1	
15	140 277 067 1	screw		10	
		- - - E N D - - -			

Model	Year	MG	SG	Illustration	Restrictions	Update	10:14	18.08.2004	PORSCHE	PET	PORSCHE
997	05	3	60	360-00		179					



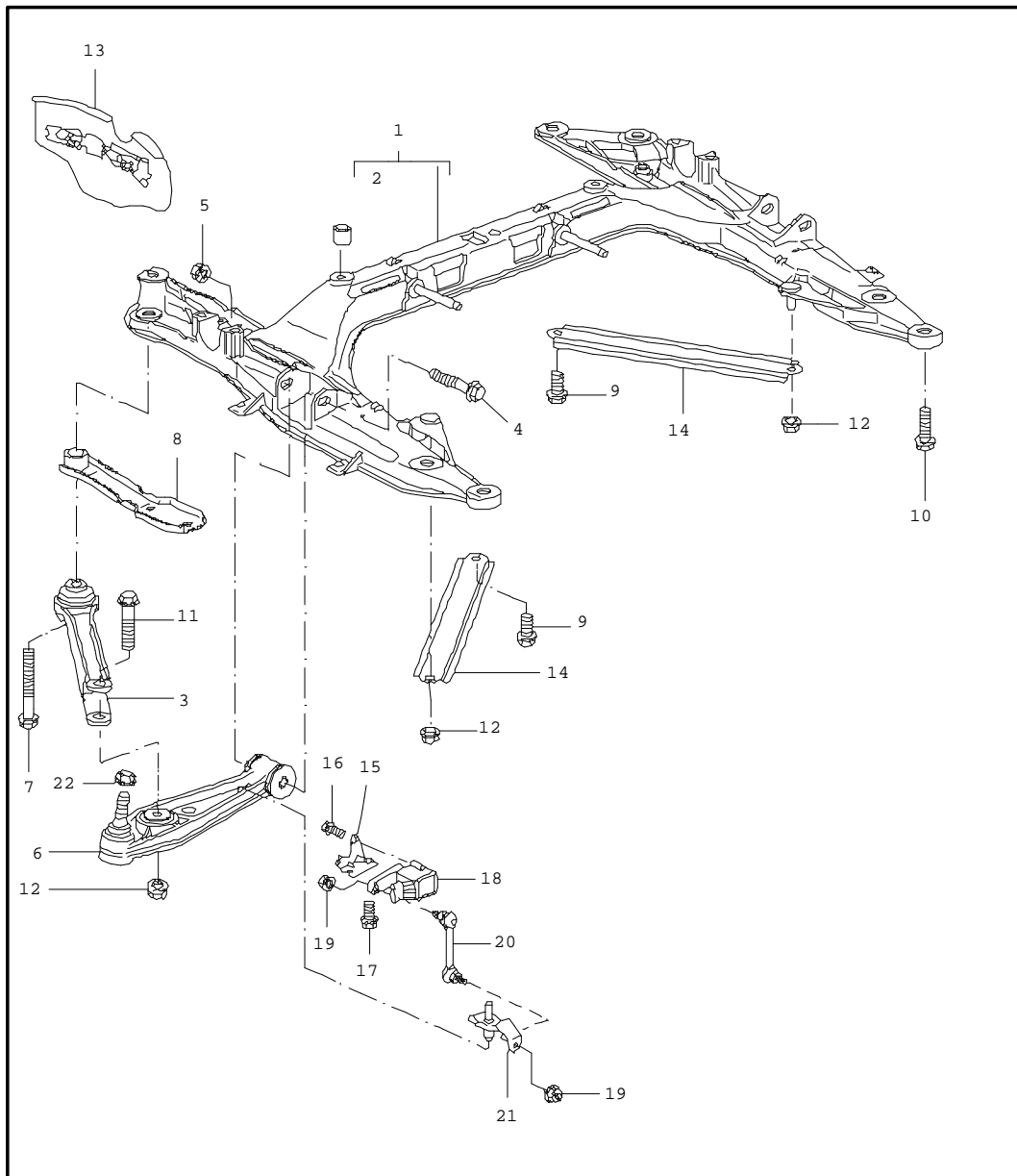
Pos	Part Number	Name	Remarks	Qty	Model
		TIPTRONIC atf cooler atf lines			A97.01
1	722 270 009 5	atf cooler		1	
2	999 073 103 09	oval-head screw M 6 X 16		6	
3	026 997 234 8	sealing ring		1	
4	722 270 089 6	oil pipe 18,6 X 3,5		2	
5	722 270 079 6	oil pipe		1	
6	026 997 234 8	sealing ring		1	
-	996 307 711 10	water hose supply		1	
- - - E N D - - -					

Model	Year	MG	SG	Illustration	Restrictions	Update	10:14	18.08.2004	PORSCHE	PET	PORSCHE
997	05	3	70	370-00		179					



Pos	Part Number	Name	Remarks	Qty	Model
		TIPTRONIC transmission suspension and mount intermediate flange			A97.01
1	997 375 033 02	transmission carrier		1	
2	996 375 317 06	bracket upper		1	
3	997 375 315 02	side member		1	
4	997 375 259 00	stop		2	
5	999 076 053 09	hexagon nut M 10		6	
6	900 378 200 09	hexagon-head bolt M 10 X 55		2	
7	900 378 208 09	hexagon-head bolt M 12 X 1,5 X 75		2	
8	900 378 098 09	hexagon-head bolt M 10 X 60		2	
		- - - E N D - - -			

Model	Year	MG	SG	Illustration	Restrictions	Update	10:14	18.08.2004	PORSCHE	PET	PORSCHE
997	05	4	01	401-00		179					

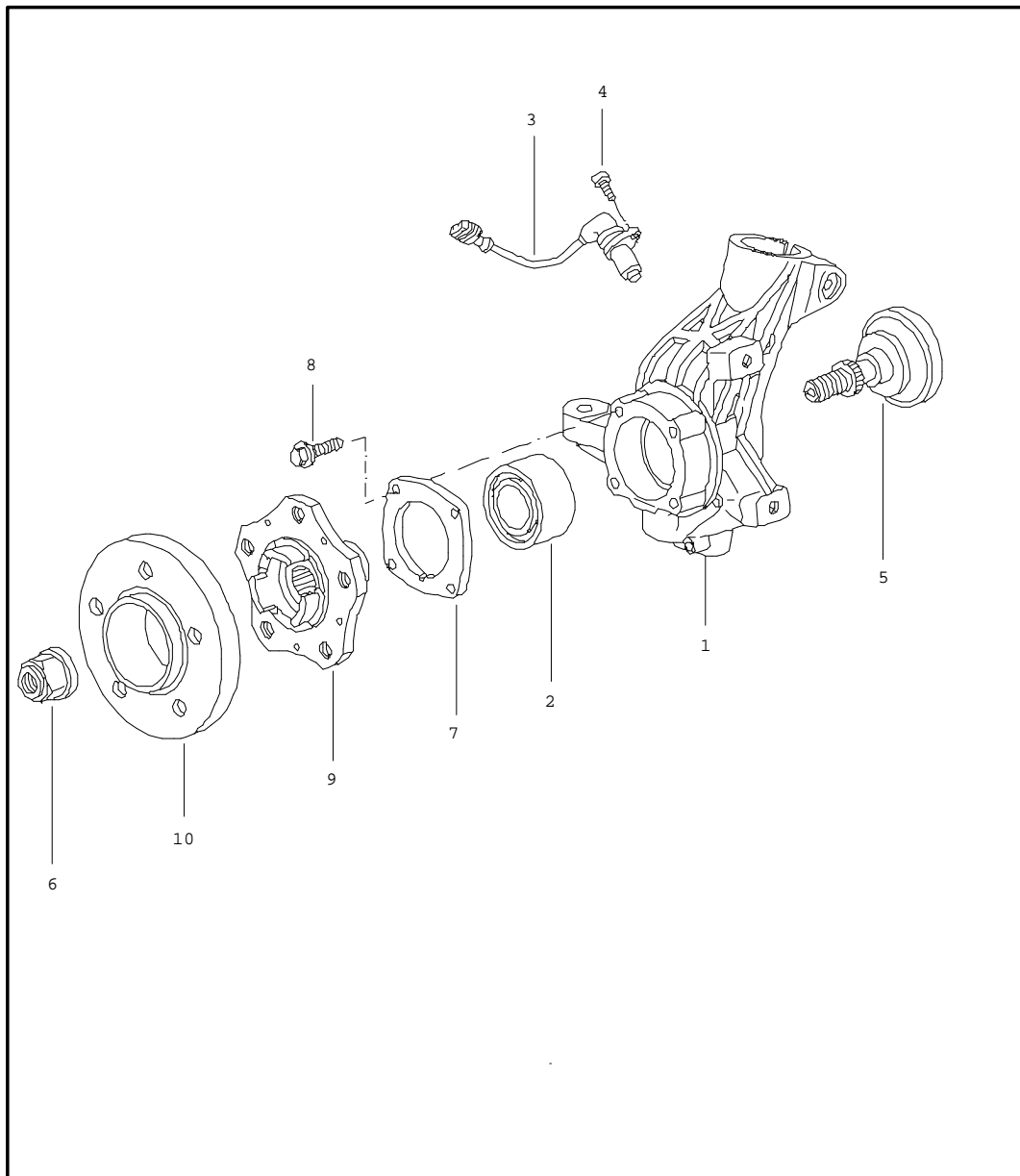


Pos	Part Number	Name	Remarks	Qty	Model
		cross member control arm			
1	997 341 081 04	cross member		1	
2	900 197 004 00	roll pin 13 X 14		1	
3	997 341 043 00	control arm		2	
4	900 378 165 09	hexagon-head bolt M 12 X 1,5 X 95		2	
5	999 084 445 09	hexagon nut M 12 X 1,5		2	
6	997 341 053 00	control arm		2	
7	900 378 210 09	hexagon-head bolt M 14 X 1,5 X 110		2	
8	997 341 145 01	plate		2	
9	900 378 094 09	hexagon-head bolt M 12 X 1,5 X 25		4	
10	900 378 192 09	hexagon-head bolt M 14 X 1,5 X 50		2	
11	900 378 135 09	hexagon-head bolt M 14 X 1,5 X 73		2	
12	900 380 012 09	hexagon nut M 14 X 1,5		2	
13	996 341 483 05	spoiler	/L	1	
(13)	996 341 484 05	spoiler	/R	1	
14	997 504 433 00	strut		2	
17	900 378 177 09	hexagon-head bolt M 6 X 30		1	I601
18	997 631 121 00	sensor		1	I601
19	900 380 015 09	hexagon nut VM 6		2	
20	997 341 375 01	strut		1	I601
21	996 341 371 03	support		1	I601

Model	Year	MG	SG	Illustration	Restrictions	Update	10:14	18.08.2004	PORSCHE	PET	PORSCHE
997	05	4	01	401-00		179					

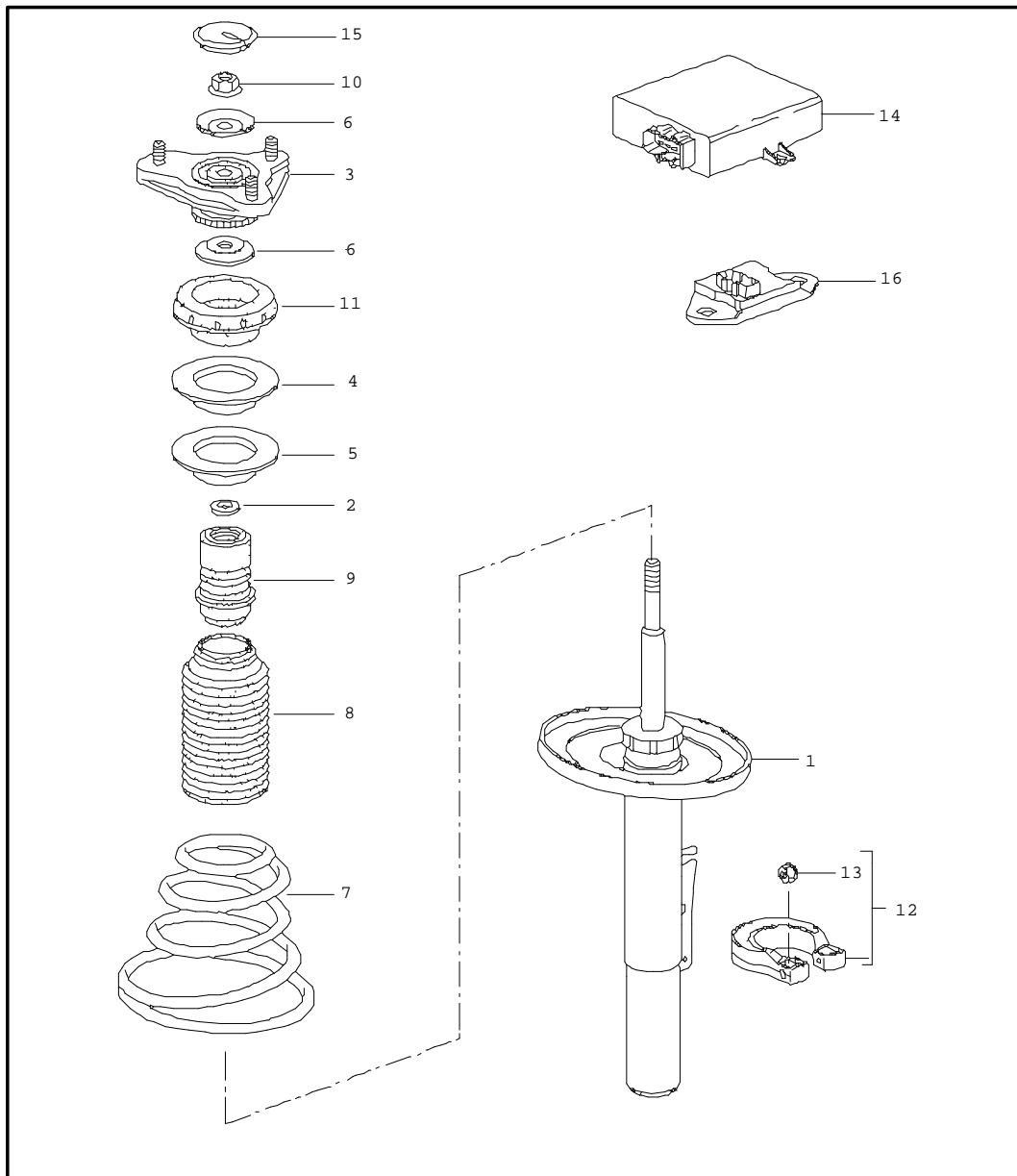
Pos	Part Number	Name	Remarks	Qty	Model	Pos	Part Number	Name	Remarks	Qty	Model
22	999 084 449 09	hexagon nut M 12 X 1,5  - - - E N D - - -		2							

Model	Year	MG	SG	Illustration	Restrictions	Update	10:14	18.08.2004	PORSCHE	PET	PORSCHE
997	05	4	01	401-05		179					



Pos	Part Number	Name	Remarks	Qty	Model
		wheel carrier			
		wheel hub			
1	997 341 157 05	wheel carrier	/L	1	
(1)	997 341 157 25	wheel carrier	/L	1	I450
(1)	997 341 158 05	wheel carrier	/R	1	
(1)	997 341 158 25	wheel carrier	/R	1	I450
2	999 053 054 05	angular-contact bearing		2	
3	997 606 407 01	speed sensor		2	
4	900 067 117 09	hexagon-head bolt M 6 X 16		2	
5	997 341 131 00	tension bolt		2	
6	999 084 640 02	hexagon nut M 22 X 1,5		2	
7	986 331 661 20	cover		2	
8	999 217 042 09	hexagon-head bolt M 8 X 35		8	
9	997 341 605 01	wheel hub		2	
		- - - E N D - - -			

Model	Year	MG	SG	Illustration	Restrictions	Update	10:14	18.08.2004	PORSCHE	PET	PORSCHE
997	05	4	02	402-00		179					



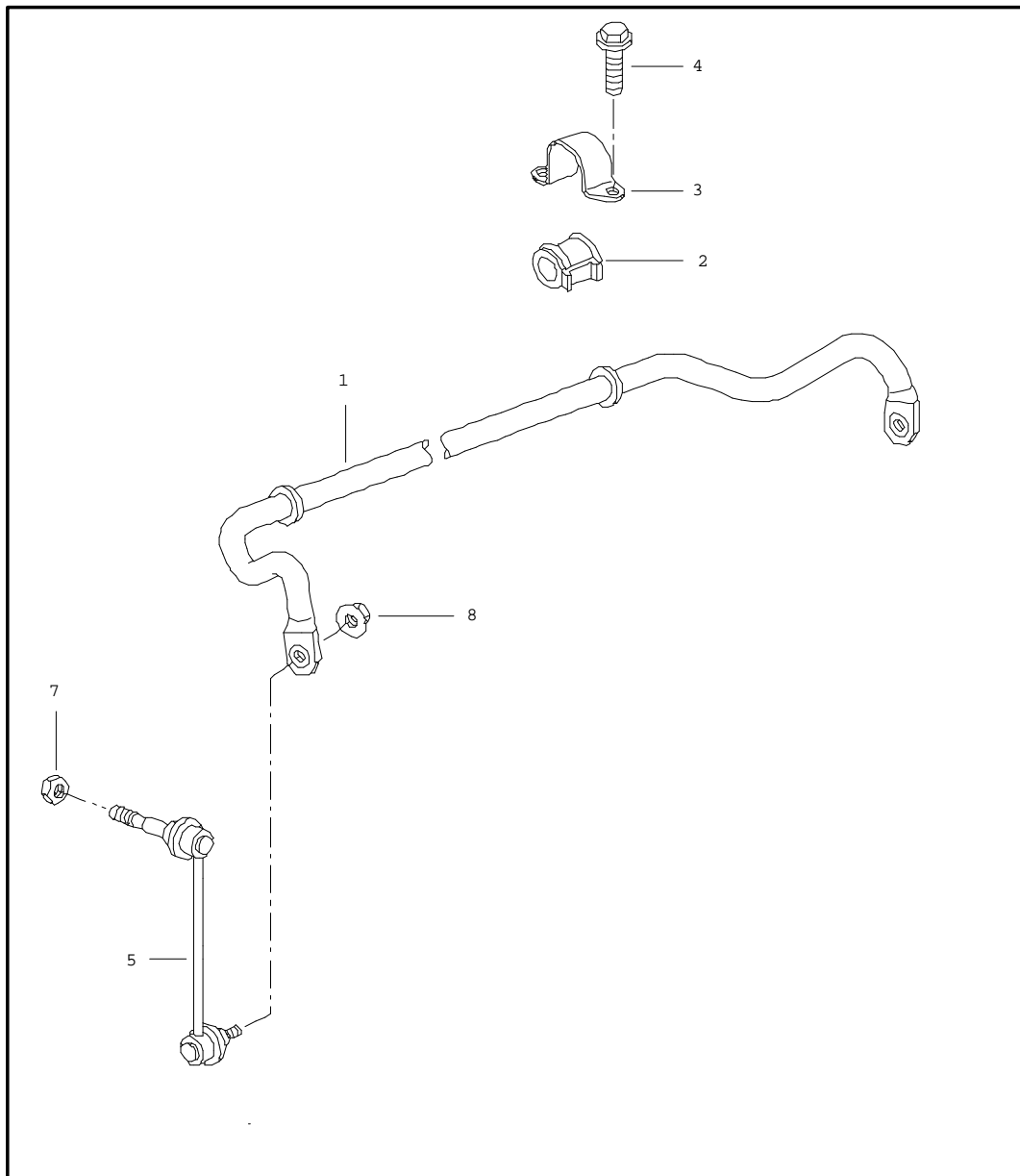
Pos	Part Number	Name	Remarks	Qty	Model
		springs			
		shock absorber strut			
1	A 997 343 041 09	shock absorber		2	I029
(1)	997 343 041 11	shock absorber		2	I029
(1)	997 343 041 10	shock absorber		2	I030/480
(1)	997 343 045 13	shock absorber		2	I475
		mount			
		shock absorber			
-	999 084 445 09	hexagon nut M 12 X 1,5		2	
2	996 343 513 00	cone washer		2	
3	997 343 018 00	supporting mount		2	
-	999 084 447 09	hexagon nut M 8		6	
4	996 343 517 01	support ring		2	
5	996 343 511 00	compensating plate 3,0 MM		X	
(5)	996 343 511 01	compensating plate 6,5 MM		X	
6	997 343 107 01	stop plate		2	
(6)	997 343 107 00	stop plate upper		1	I475
6	997 343 107 01	stop plate lower		1	I475
(6)	997 343 272 00	washer		2	I030/480
7	997 343 531 22	coil spring		1	I029/CABRIO
		1 set		1	I249/COUPE
		504			CARRERA 2
		marked violet white			
(7)	997 343 531 23	coil spring 1 set		1	I029/480 COUPE

Model	Year	MG	SG	Illustration	Restrictions	Update	10:14	18.08.2004	PORSCHE	PET	PORSCHE
997	05	4	02	402-00		179					

Pos	Part Number	Name	Remarks	Qty	Model	Pos	Part Number	Name	Remarks	Qty	Model
	504	marked violet red			CARRERA 2						
(7)	997 343 531 24	coil spring 1 set		1	I030/480 COUPE						
	504	marked silver silver			CARRERA 2 CARRERA 2-S						
7	997 343 531 31	coil spring 1 set		1	I475/COUPE CARRERA 2						
	504	marked red green			CARRERA 2-S						
(7)	997 343 531 35	coil spring 1 set		1	I475/CABRIO CARRERA 2						
	504	marked red yellow			CARRERA 2-S						
8	996 343 505 00	bellows		2							
9	996 343 301 02	additional spring		2							
(9)	980 343 980 09	additional spring		2	I030/480						
(9)	996 343 301 02	additional spring		2	I475						
10	900 380 012 09	hexagon nut M 14 X 1,5		2							
11	996 343 515 05	bearing with housing		2							
12	997 343 569 00	clip		2							
13	900 377 010 09	hexagon nut		2							
14	997 618 105 03	control unit shock absorber		1							
15	999 703 457 40	cover		2	I475						
(15)	999 703 429 40	cover		2							
16	997 606 111 00	sensor body		2							
		- - - E N D - - -									

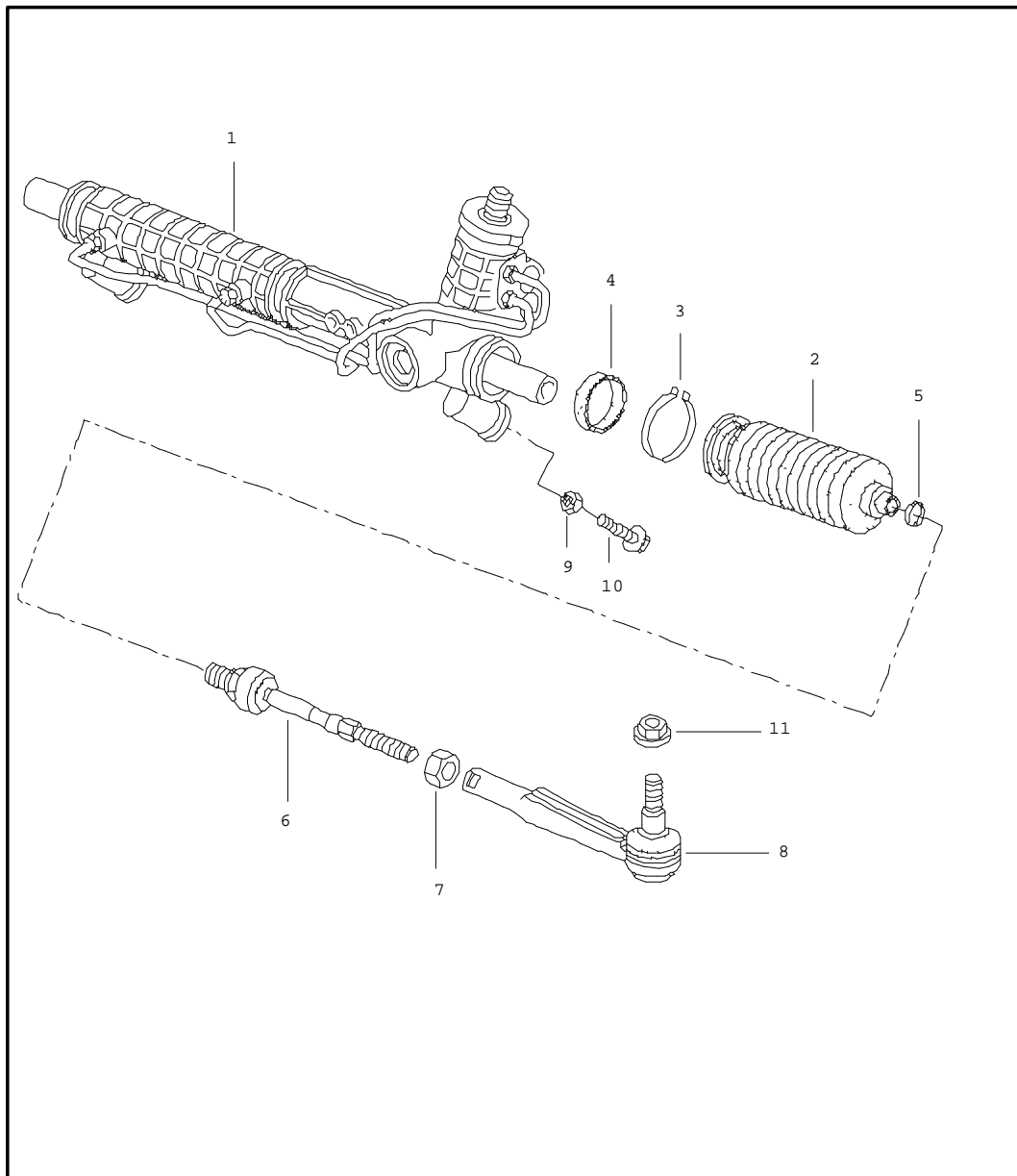


Model	Year	MG	SG	Illustration	Restrictions	Update	10:15	18.08.2004	PORSCHE	PET	PORSCHE
997	05	4	02	402-05		179					



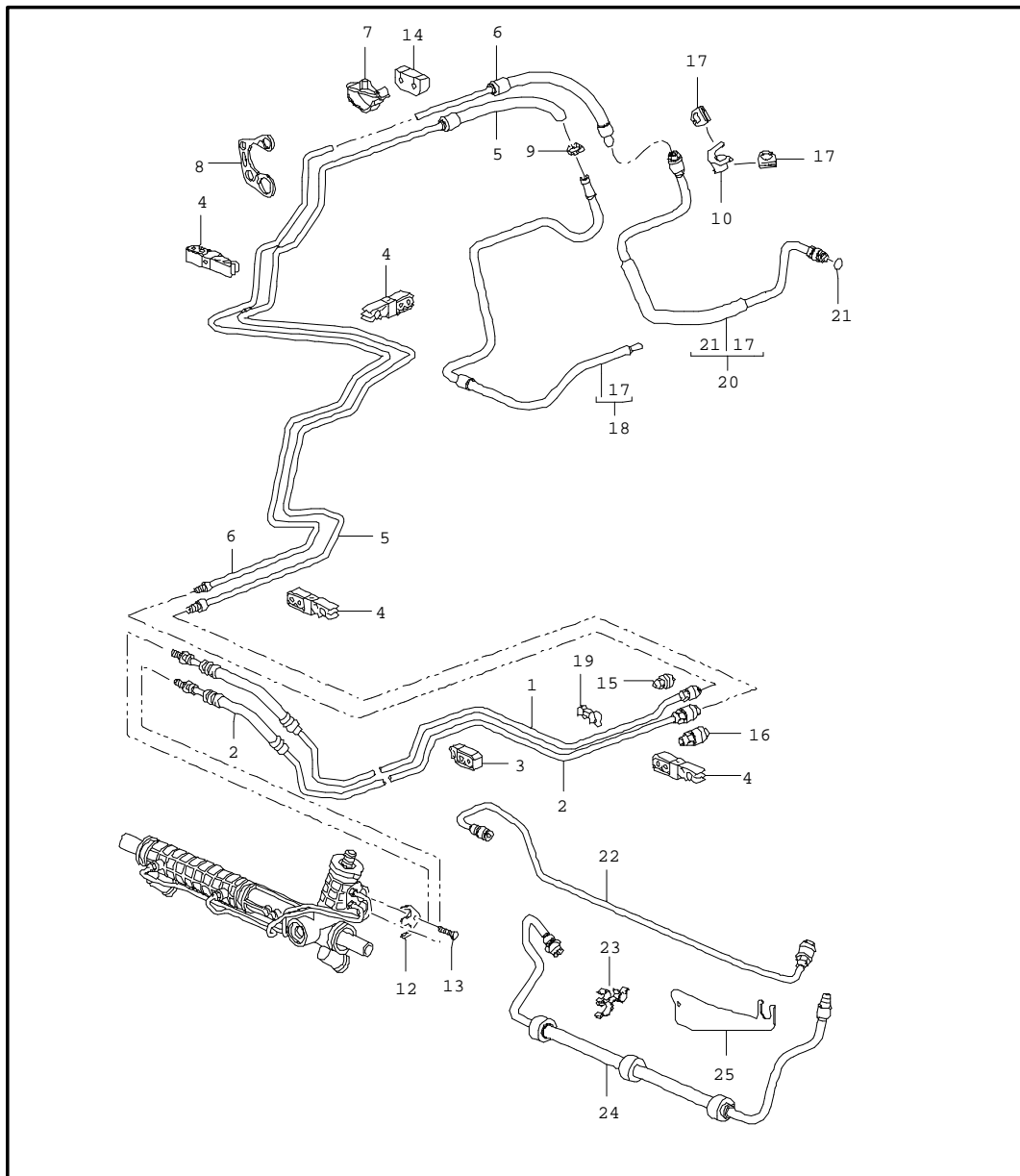
Pos	Part Number	Name	Remarks	Qty	Model
		stabiliser			
1	997 343 701 03	stabiliser		1	CARRERA 2 I029/480
(1)	997 343 701 04	stabiliser		1	CARRERA 2 I029/249
(1)	997 343 701 04	stabiliser		1	CARRERA 2 CARRERA 2-S COUPE I030
(1)	997 343 701 04	stabiliser		1	I475
2	996 343 792 12	stabiliser mounting		2	CARRERA 2 I029/480
(2)	996 343 792 17	stabiliser mounting		2	CARRERA 2 I029/249
(2)	996 343 792 17	stabiliser mounting		2	CARRERA 2 CARRERA 2-S COUPE I030
(2)	996 343 792 17	stabiliser mounting		2	I475
3	996 343 777 01	clip		2	
4	900 378 070 09	hexagon-head bolt M 10 X 30		4	
5	997 343 069 00	stabiliser mounting	/L	1	
(5)	997 343 070 00	stabiliser mounting	/R	1	
7	999 084 445 09	hexagon nut M 12 X 1,5		2	
8	999 084 643 09	hexagon nut M10		2	
- - - E N D - - -					

Model	Year	MG	SG	Illustration	Restrictions	Update	10:15	18.08.2004	PORSCHE	PET	PORSCHE
997	05	4	03	403-00		179					



Pos	Part Number	Name	Remarks	Qty	Model
		power steering steering gear steering parts			
1	997 347 011 03	steering gear power steering	/LL	1	
(1)	997 347 012 02	steering gear power steering	/RL	1	
-	996 347 110 02	clip pinion steering gear		1	
2	997 347 191 00	bellows		2	
3	996 347 293 04	clamping ring		2	
4	996 347 373 01	sealing ring		2	
5	999 512 693 09	clamping ring		2	
6	997 347 322 00	joint		2	
7	999 034 037 09	hexagon nut M 14 X 1,5		2	
8	996 347 131 04	track rod		2	
9	-	see illustrations 4/01/00 POS.2			
10	900 378 100 09	hexagon-head bolt AM 10 X 45		2	
11	999 084 449 09	hexagon nut M 12 X 1,5		2	
		- - - E N D - - -			

Model	Year	MG	SG	Illustration	Restrictions	Update	10:15	18.08.2004	PORSCHE	PET	PORSCHE
997	05	4	03	403-01		179					

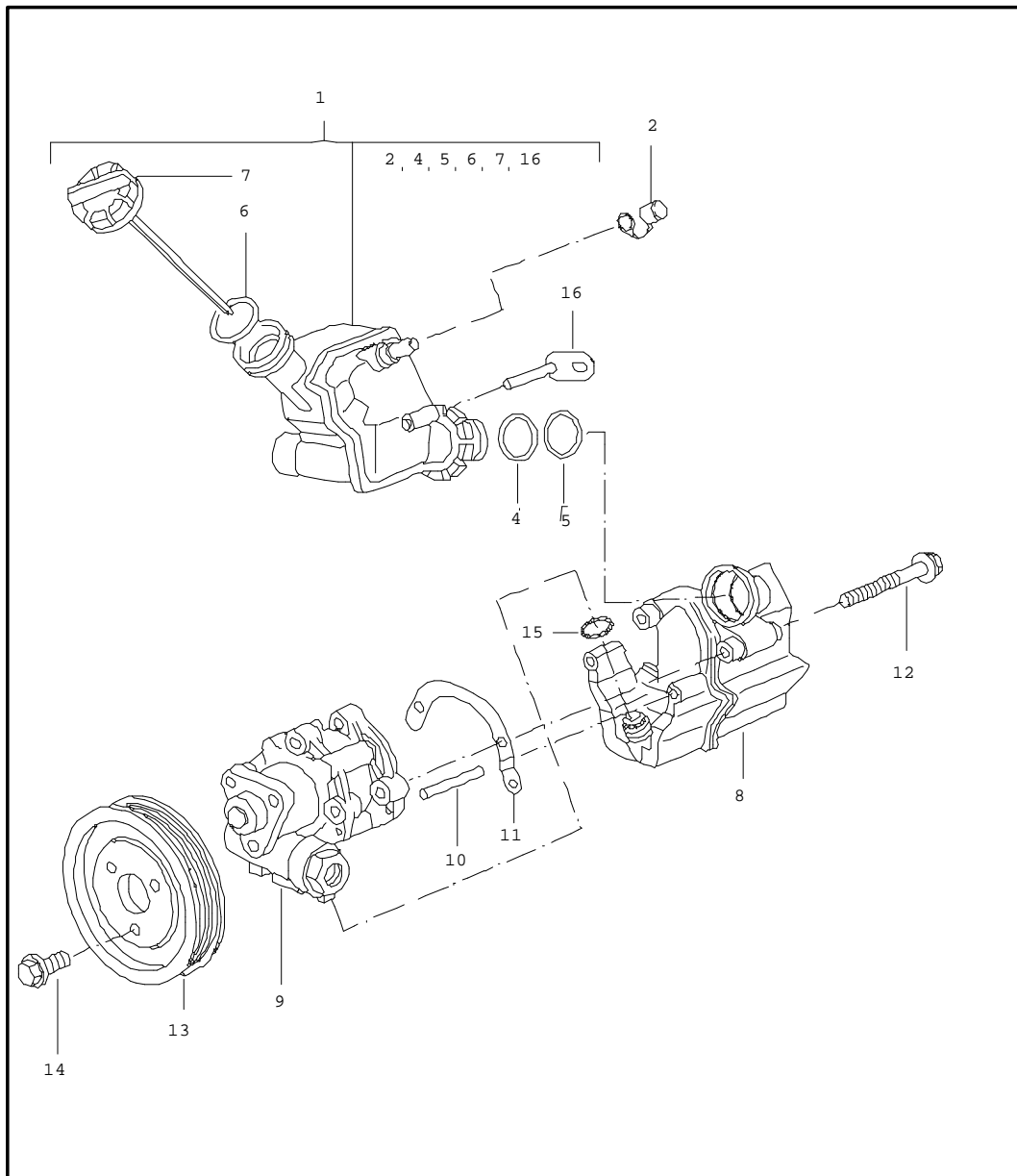


Pos	Part Number	Name	Remarks	Qty	Model
		power steering lines			
1	997 347 451 02	pressure line	/LL	1	
(1)	997 347 452 02	pressure line	/RL	1	
2	997 347 449 02	return line	/LL	1	
(2)	997 347 650 01	return line	/RL	1	
3	996 347 543 00	support		X	
4	996 355 543 00	support		1	
5	997 347 439 01	return line centre		1	
6	997 347 445 01	pressure line centre		1	
7	996 347 549 01	support		2	
8	997 347 544 00	support		1	
9	999 512 639 09	clip		1	
-	999 707 503 40	sealing ring pressure line		1	
-	999 230 551 10	threaded joint NW 10		1	
-	999 230 552 10	threaded joint NW 6		1	
-	999 230 683 40	circlip for threaded joint pressure line		1	
-	999 230 578 40	circlip for threaded joint return line	/LL	1	
-	999 230 578 40	circlip for threaded joint return line	/RL	2	
10	997 347 749 00	support		1	
12	996 347 769 01	support		1	

Model	Year	MG	SG	Illustration	Restrictions	Update	10:15	18.08.2004	PORSCHE	PET	PORSCHE
997	05	4	03	403-01		179					

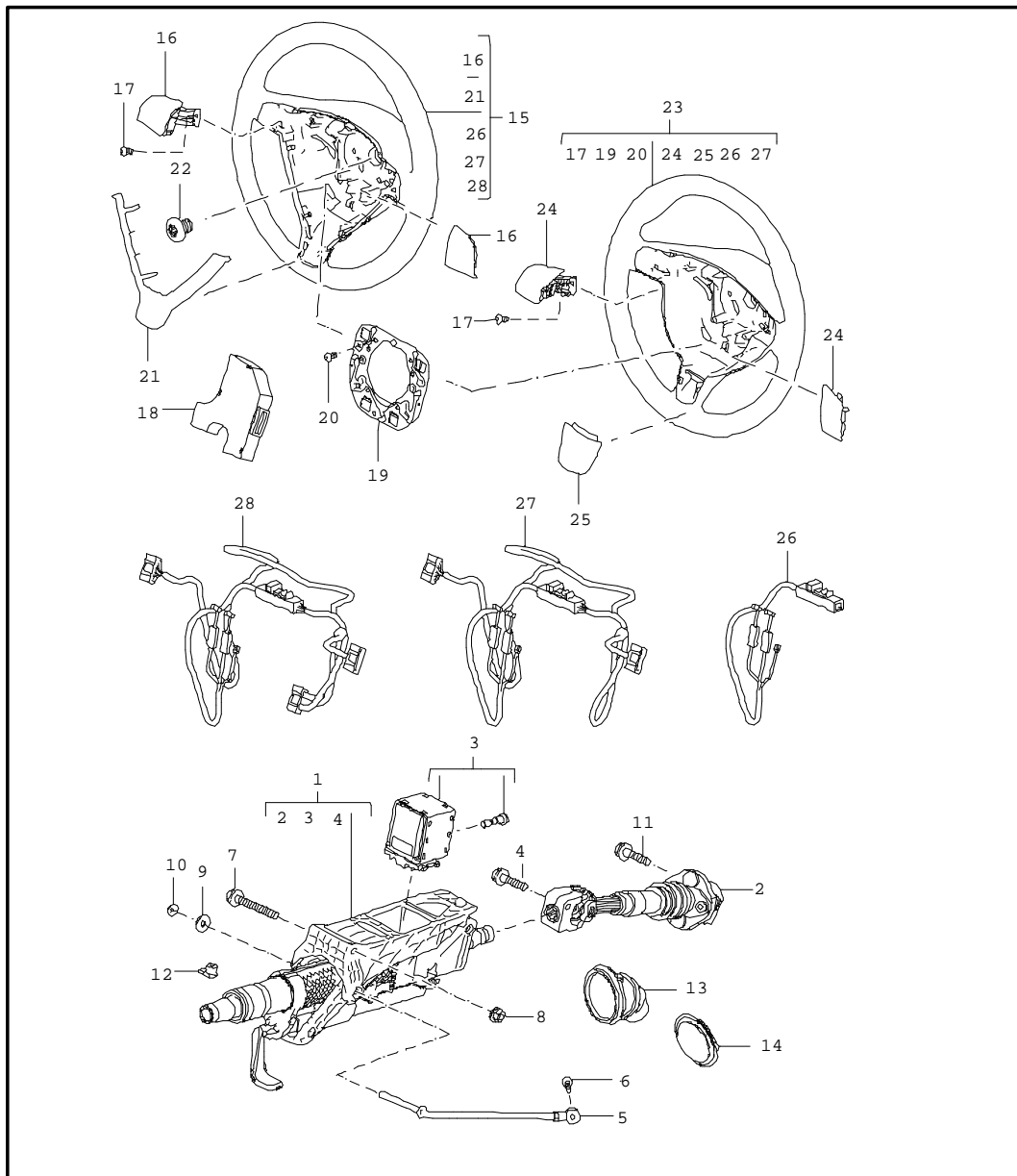
Pos	Part Number	Name	Remarks	Qty	Model	Pos	Part Number	Name	Remarks	Qty	Model
13	900 067 063 02	pan-head screw M 10 X 20		1							
14	996 347 551 01	retainer plate		1							
15	999 230 539 10	threaded joint		1							
16	999 230 540 10	threaded joint		1							
17	999 702 210 40	rubber sleeve		2							
18	997 347 441 02	return line		1							
19	999 507 575 40	support		1							
20	997 347 443 00	pressure line		1							
21	999 707 503 40	o-ring		1							
22	997 347 564 02	pressure line	/RL	1							
23	999 507 963 40	clip	/RL	1							
24	997 347 462 01	return line	/RL	1							
25	997 347 560 00	support	/RL	1							
		- - - E N D - - -									

Model	Year	MG	SG	Illustration	Restrictions	Update	10:15	18.08.2004	PORSCHE	PET	PORSCHE
997	05	4	03	403-03		179					



Pos	Part Number	Name	Remarks	Qty	Model
		power steering power-steering pump container			
1	997 314 225 00	container		1	
2	997 314 332 00	cap		1	
4	999 707 362 40	o-ring		1	
5	999 707 363 40	o-ring		1	
6	999 701 154 40	o-ring		1	
7	997 314 223 00	cover		1	
(8)	996 314 220 03	container		1	
9	996 314 050 02	power-steering pump		1	
10	996 314 320 03	straight pin		2	
11	996 314 431 05	bracket		1	
12	900 378 105 09	hexagon-head bolt AM 8 X 70		2	
13	996 147 223 60	pulley		1	
14	900 378 123 09	hexagon-head bolt M 8 X 12		3	
15	999 707 204 40	sealing ring 12.5 X 2N		1	
16	996 314 551 00	bracket for container		1	
-	000 043 203 33	pentosin 1000 ML		X	
		- - - E N D - - -			

Model	Year	MG	SG	Illustration	Restrictions	Update	10:16	18.08.2004	PORSCHE	PET	PORSCHE
997	05	4	03	403-05		179					



Pos	Part Number	Name	Remarks	Qty	Model
1	997 347 007 05	steering column complete with steering shaft		1	
2	997 347 023 02	steering shaft		1	
3	997 618 158 01	control unit steering column with screw		1	
4	999 217 042 09	hexagon-head bolt M 8 X 35		1	
5	997 347 243 00	strut		1	
6	900 378 173 09	hexagon-head bolt AM 6 X 20		1	
7	900 378 095 09	hexagon-head bolt M 10 X 100		1	
8	900 380 008 09	hexagon nut M 10		1	
9	900 151 006 09	washer		1	
10	999 507 217 07	clamping washer		1	
11	999 217 042 09	hexagon-head bolt M 8 X 35		1	
12	999 920 019 40	special nut 3,5 X 2,5 X 9		1	
13	986 347 037 01	bellows		1	
14	996 347 339 02	rubber seal bulkhead		1	
15	997 347 804 03	3-spoke steering wheel leather embossed		1	I436/I480
		FOA	black		
		FOB	stone grey		
		FOC	sand beige		

Model	Year	MG	SG	Illustration	Restrictions	Update	10:16	18.08.2004	PORSCHE	PET	PORSCHE
997	05	4	03	403-05		179					

Pos	Part Number	Name	Remarks	Qty	Model	Pos	Part Number	Name	Remarks	Qty	Model
		FOD palmgreen				(15)	997 347 804 11	3-spoke steering wheel plain leather		1	I459/I249
		FOE sea blue					FOK black/grey				
		FOF terracotta					FOL stone grey/stone grey				
		FOG cocoa					FOM sand beige/sand beige				
		FOH dark grey/natural					FON palm-green/palm-green				
		FOJ brown/natural					FOO seeblue/grey				
(15)	997 347 804 04	3-spoke steering wheel leather embossed		1	I436/I249		FOP terrakotta/terrakotta				
		FOA black					FOQ cocoa/cocoa				
		FOB stone grey					FOR darkgrey natural/grey				
		FOC sand beige					FOS brown nat./brown nat.				
		FOD palmgreen				(15)	997 347 804 05	3-spoke steering wheel plain leather multiple function		1	I431/I480
		FOE sea blue					FOK black/grey				
		FOF terracotta					FOL stone grey/stone grey				
		FOG cocoa					FOM sand beige/sand beige				
		FOH dark grey/natural					FON palm-green/palm-green				
		FOJ brown/natural					FOO seeblue/grey				
(15)	997 347 804 01	3-spoke steering wheel plain leather		1	I459/I480		FOP terrakotta/terrakotta				
		FOK black/grey					FOQ cocoa/cocoa				
		FOL stone grey/stone grey					FOR darkgrey natural/grey				
		FOM sand beige/sand beige					FOS brown nat./brown nat.				
		FON palm-green/palm-green				(15)	997 347 804 06	3-spoke steering wheel plain leather multiple function		1	I431/I249
		FOO seeblue/grey					FOK black/grey				
		FOP terrakotta/terrakotta					FOL stone grey/stone grey				
		FOQ cocoa/cocoa					FOM sand beige/sand beige				
		FOR darkgrey natural/grey					FON palm-green/palm-green				
		FOS brown nat./brown nat.									

Model	Year	MG	SG	Illustration	Restrictions	Update	10:16	18.08.2004	PORSCHE	PET	PORSCHE
997	05	4	03	403-05		179					

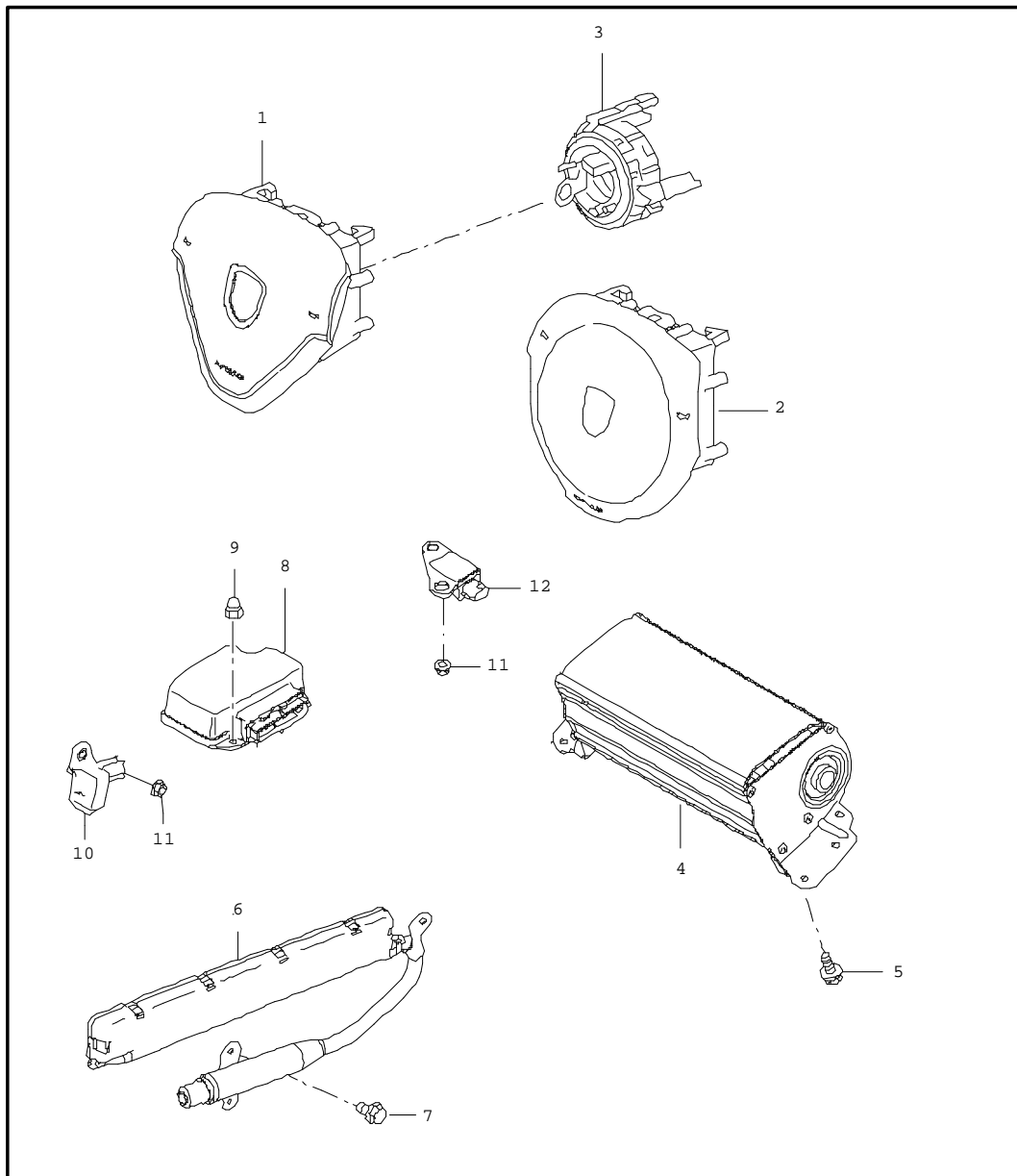
Pos	Part Number	Name	Remarks	Qty	Model	Pos	Part Number	Name	Remarks	Qty	Model
	FOO	seeblue/grey				(16)	997 613 436 00	gearshift unit with tiptronic lever multiple function	/R	1	I249
	FOP	terrakotta/terrakotta									
	FOQ	cocoa/cocoa									
	FOR	darkgrey natural/grey					V04	galvano silver			
	FOS	brown nat./brown nat.				17	999 073 318 09	round head screw M 4 X 10		2	
16	997 347 837 00	cover	/L	1	I480	18	997 613 445 01	control mechanism multiple function		1	I431/I451/ I452/I453
	V04	galvano silver									
(16)	997 347 838 00	cover	/R	1	I480	19	997 347 880 00	retainer plate		1	
	V04	galvano silver				20	999 141 022 09	round head screw M 5 X 12,5		4	
(16)	997 613 431 00	gearshift unit with tiptronic lever	/L	1	I249	21	997 347 821 00	cover		1	
	V04	galvano silver					D07	volcano grey			
(16)	997 613 432 00	gearshift unit with tiptronic lever	/R	1	I249	22	N 910 207 01	fastening screw M 18 X 1,5 X 26		1	
	V04	galvano silver				23	997 347 804 40	sports steering wheel leather embossed		1	I435/I480
(16)	997 613 433 00	gearshift unit multiple function	/L	1	I480		FOA	black			
	V04	galvano silver					FOB	stone grey			
(16)	997 613 434 00	gearshift unit multiple function	/R	1	I480		FOC	sand beige			
	V04	galvano silver					FOD	palmgreen			
(16)	997 613 435 00	gearshift unit with tiptronic lever multiple function	/L	1	I249		FOE	sea blue			
	V04	galvano silver					FOF	terracotta			
							FOG	cocoa			
							FOH	dark grey/natural			
							FOJ	brown/natural			
						(23)	997 347 804 50	sports steering wheel leather embossed		1	I435/I249
							FOA	black			



Model	Year	MG	SG	Illustration	Restrictions	Update	10:16	18.08.2004	PORSCHE	PET	PORSCHE
997	05	4	03	403-05		179					

Pos	Part Number	Name	Remarks	Qty	Model	Pos	Part Number	Name	Remarks	Qty	Model
	FOB	stone grey					FOR	darkgrey natural/grey			
	FOC	sand beige					FOS	brown nat./brown nat.			
	FOD	palmgreen				24	997 347 837 40	cover	/L	1	I480
	FOE	sea blue					V04	galvano silver			
	FOF	terracotta				(24)	997 347 838 40	cover	/R	1	I480
	FOG	cocoa					V04	galvano silver			
	FOH	dark grey/natural				(24)	997 613 437 00	gearshift unit with tiptronic lever	/L	1	I249
	FOJ	brown/natural					V04	galvano silver			
(23)	997 347 804 41	sports steering wheel plain leather		1	I460/I480		V04	galvano silver			
	FOK	black/grey				(24)	997 613 438 00	gearshift unit with tiptronic lever	/R	1	I249
	FOL	stone grey/stone grey					V04	galvano silver			
	FOM	sand beige/sand beige					V04	galvano silver			
	FON	palm-green/palm-green				25	997 347 821 40	cover		1	
	FOO	seeblue/grey					V04	galvano silver			
	FOP	terrakotta/terrakotta				26	997 612 672 00	wiring harness 3-spoke steering wheel sports steering wheel without multiple function manual transmission		1	I480
	FOQ	cocoa/cocoa									
	FOR	darkgrey natural/grey									
	FOS	brown nat./brown nat.				27	997 612 674 00	wiring harness 3-spoke steering wheel sports steering wheel without multiple function tiptronic		1	I249
(23)	997 347 804 51	sports steering wheel plain leather		1	I460/I249						
	FOK	black/grey									
	FOL	stone grey/stone grey									
	FOM	sand beige/sand beige				28	997 612 673 00	wiring harness 3-spoke steering wheel with multiple function manual transmission tiptronic		1	I431/I451/I452/I453
	FON	palm-green/palm-green									
	FOO	seeblue/grey									
	FOP	terrakotta/terrakotta									
	FOQ	cocoa/cocoa									
								- - - E N D - - -			

Model	Year	MG	SG	Illustration	Restrictions	Update	10:16	18.08.2004	PORSCHE	PET	PORSCHE
997	05	4	03	403-06		179					

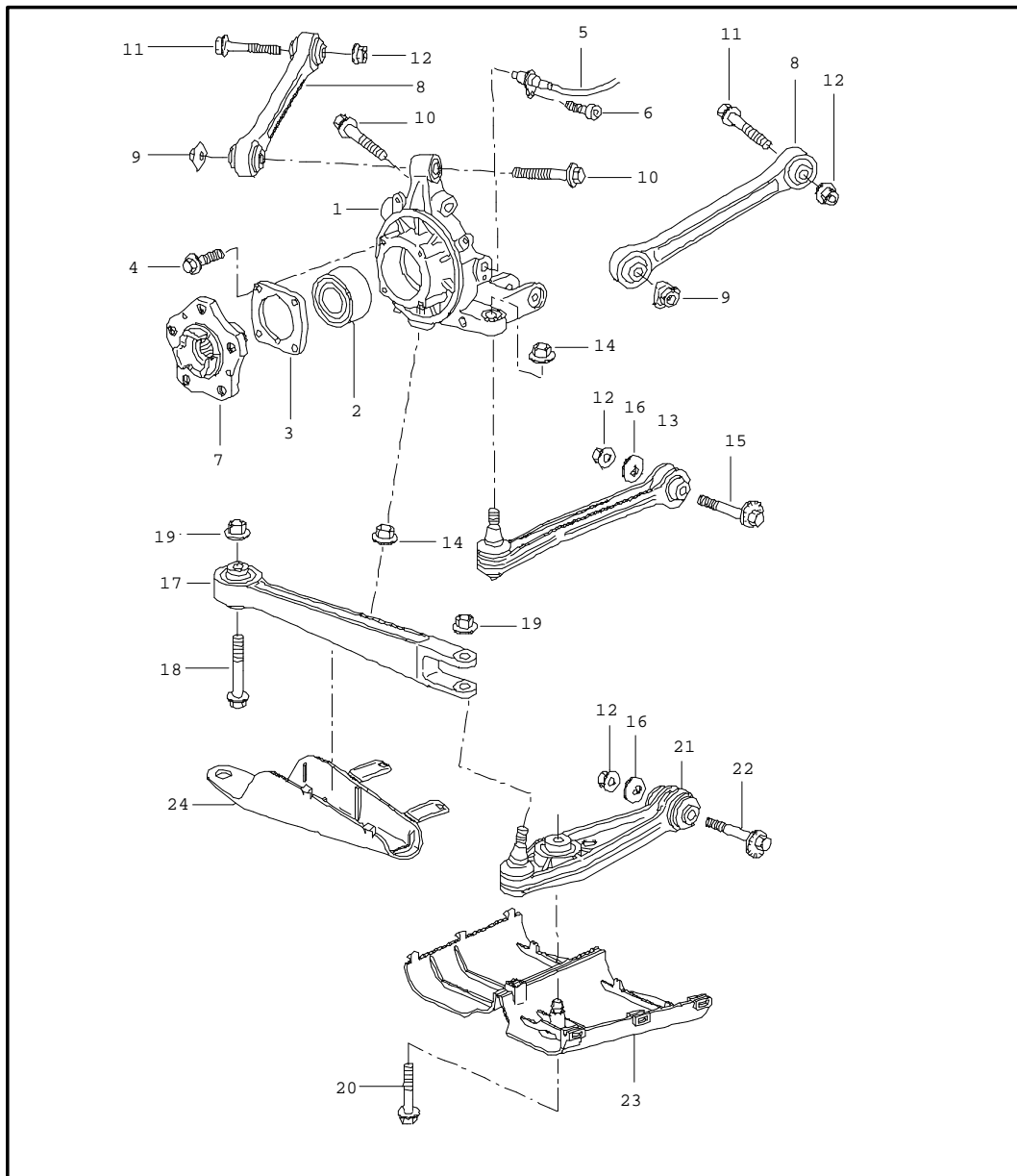


Pos	Part Number	Name	Remarks	Qty	Model
1	997 803 089 05	airbag airbag unit 3-spoke steering wheel plastic material emblem coloured  A32 black B22 stone grey T22 sand beige E22 sea blue J22 palmgreen M22 terracotta R32 cocoa T32 brown/natural		1	I436
(1)	997 803 089 06	airbag unit 3-spoke steering wheel leather emblem coloured  A34 black B24 stone grey T24 sand beige E24 sea blue J24 palmgreen M24 terracotta R24 cocoa D14 dark grey/natural T34 brown/natural		1	I431/I451/ I452/I453/ I459/I991
2	997 803 089 07	airbag unit sports steering wheel plastic material emblem coloured		1	I435

Model	Year	MG	SG	Illustration	Restrictions	Update	10:16	18.08.2004	PORSCHE	PET	PORSCHE
997	05	4	03	403-06		179					

Pos	Part Number	Name	Remarks	Qty	Model	Pos	Part Number	Name	Remarks	Qty	Model
	A32	black				(6)	997 803 092 03	airbag unit for head airbag	/R	1	
	B22	stone grey									
	T22	sand beige				7	900 378 035 09	hexagon-head bolt M 6 X 16		6	
	E22	sea blue				8	997 618 217 04	control unit		1	COUPE
	J22	palmgreen				9	999 070 015 02	cap nut M 6		3	
	M22	terracotta				10	997 618 221 00	acceleration sensor side airbag		2	
	R32	cocoa				11	999 084 629 09	hexagon nut M 6		8	
	T32	brown/natural				12	997 618 223 00	acceleration sensor airbag front		2	
(2)	997 803 089 08	airbag unit sports steering wheel leather emblem coloured		1	I460/I991						
	A34	black						- - - E N D - - -			
	B24	stone grey									
	T24	sand beige									
	E24	sea blue									
	J24	palmgreen									
	M24	terracotta									
	R24	cocoa									
	D14	dark grey/natural									
	T34	brown/natural									
3	955 652 211 10	spring		1							
4	A 997 803 071 04	airbag unit passenger's side		1							
(4)	997 803 071 05	airbag unit passenger's side		1							
5	900 378 222 09	hexagon-head bolt M 6 X 16		4							
6	997 803 091 03	airbag unit for head airbag	/L	1							

Model	Year	MG	SG	Illustration	Restrictions	Update	10:16	18.08.2004	PORSCHE	PET	PORSCHE
997	05	5	01	501-00		179					

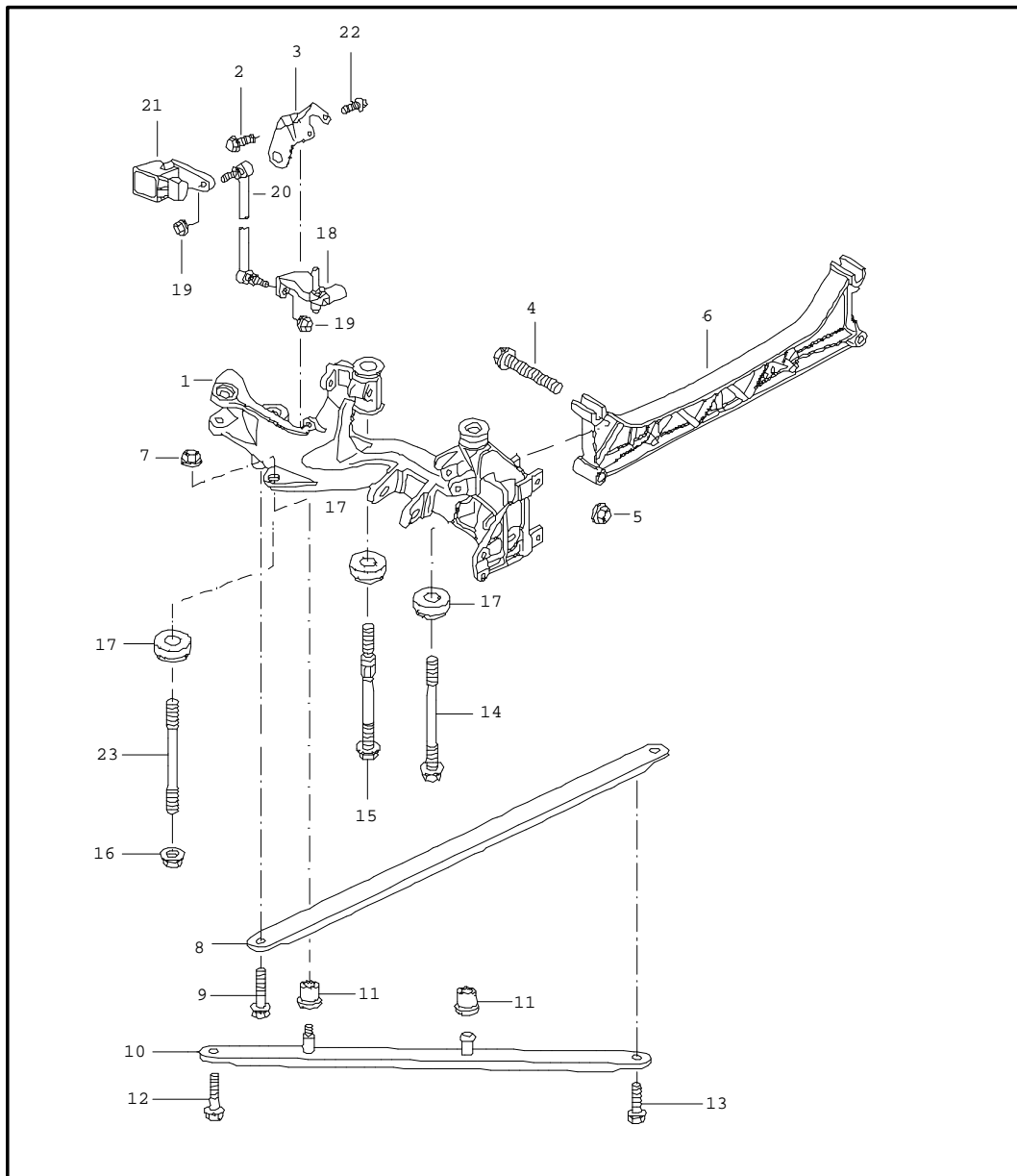


Pos	Part Number	Name	Remarks	Qty	Model
(1)	997 331 111 06	rear axle wheel carrier control arm wheel hub	/L	1	
(1)	997 331 112 06	wheel carrier	/R	1	
2	999 053 055 02	angular-contact bearing		2	
3	996 331 661 01	cover		2	
4	999 217 042 09	hexagon-head bolt M 8 X 35		8	
5	997 606 407 01	speed sensor		2	
6	900 067 117 09	pan-head screw M 6 X 16		2	
7	997 331 605 00	wheel hub		2	
(8)	996 331 047 05	control arm		2	COUPE
9	999 084 445 09	hexagon nut M 12 X 1,5		4	
10	900 378 138 09	hexagon-head bolt M 12 X 70		4	
11	900 378 165 09	hexagon-head bolt M 12 X 95		4	
12	999 084 445 09	hexagon nut M 12 X 1,5		10	
13	996 331 045 12	track rod		2	
14	999 084 449 09	hexagon nut M 12 X 1,5		4	
15	996 331 217 02	eccentric screw M 12 X 83		2	
16	996 331 219 00	eccentric washer		2	
17	996 341 043 06	control arm		2	
18	900 378 051 09	hexagon-head bolt M 14 X 100		2	
19	900 380 012 09	hexagon nut M 14 X 1,5		4	

Model	Year	MG	SG	Illustration	Restrictions	Update	10:16	18.08.2004	PORSCHE	PET	PORSCHE
997	05	5	01	501-00		179					

Pos	Part Number	Name	Remarks	Qty	Model	Pos	Part Number	Name	Remarks	Qty	Model
20	900 378 135 09	hexagon-head bolt M 14 X 75		2							
21	996 341 053 16	control arm		2							
22	996 331 217 03	eccentric screw		2							
23	997 331 483 01	lining control arm		2							
24	997 331 485 00	lining control arm		2							
		- - - E N D - - -									

Model	Year	MG	SG	Illustration	Restrictions	Update	10:18	18.08.2004	PORSCHE	PET	PORSCHE
997	05	5	01	501-01		179					

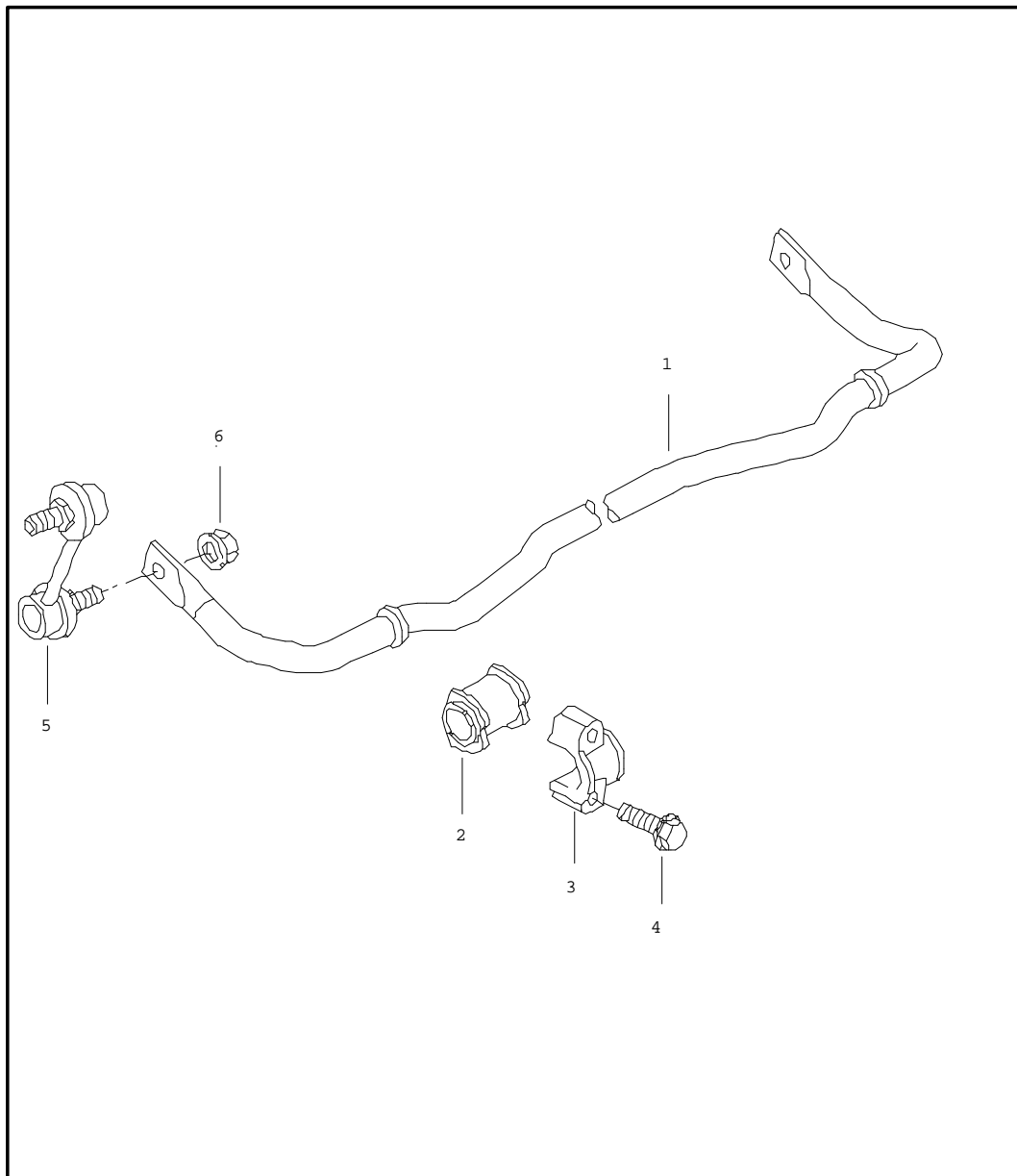


Pos	Part Number	Name	Remarks	Qty	Model
		rear axle side section bracket			
1	997 331 051 03	side section	/L	1	COUPE
(1)	997 331 052 03	side section	/R	1	COUPE
2	900 067 117 09	screw M 6 X 16		2	
3	997 355 505 02	support for brake hose	/L	1	
(3)	997 355 506 02	support for brake hose	/R	1	
4	900 378 139 09	screw M 12 X 80		4	
5	999 084 445 09	hexagon nut M 12 X 1,5		4	
6	996 331 261 10	cross member		1	
7	999 076 053 09	hexagon nut M 10		2	
8	996 331 171 03	transverse strut front		1	I480
(8)	996 331 171 04	transverse strut front		1	I249
9	999 072 020 09	hexagon-head bolt M 10 X 40		2	
10	997 331 081 01	strut		2	
11	996 331 385 00	rubber mounting		6	
12	999 072 031 09	hexagon-head bolt M 12 X 1,5 X 30		2	
13	900 378 072 09	hexagon-head bolt M 12 X 30		2	
14	900 178 010 09	hexagon-head bolt M 12 X 130		2	
15	900 178 010 09	hexagon-head bolt M 12 X 130		2	

Model	Year	MG	SG	Illustration	Restrictions	Update	10:18	18.08.2004	PORSCHE	PET	PORSCHE
997	05	5	01	501-01		179					

Pos	Part Number	Name	Remarks	Qty	Model	Pos	Part Number	Name	Remarks	Qty	Model
16	999 084 445 09	hexagon nut M 12 X 1,5		2							
17	996 331 291 02	washer		6							
18	996 341 371 03	support		1	I601						
19	900 380 015 09	hexagon nut VM 6		2	I601						
20	997 331 375 02	strut		1	I601						
21	997 631 121 00	sensor		1	I601						
22	N 014 129 12	oval-head screw		2	I601						
23	999 061 103 09	stud M 12 X 1,5		2							
		- - - E N D - - -									

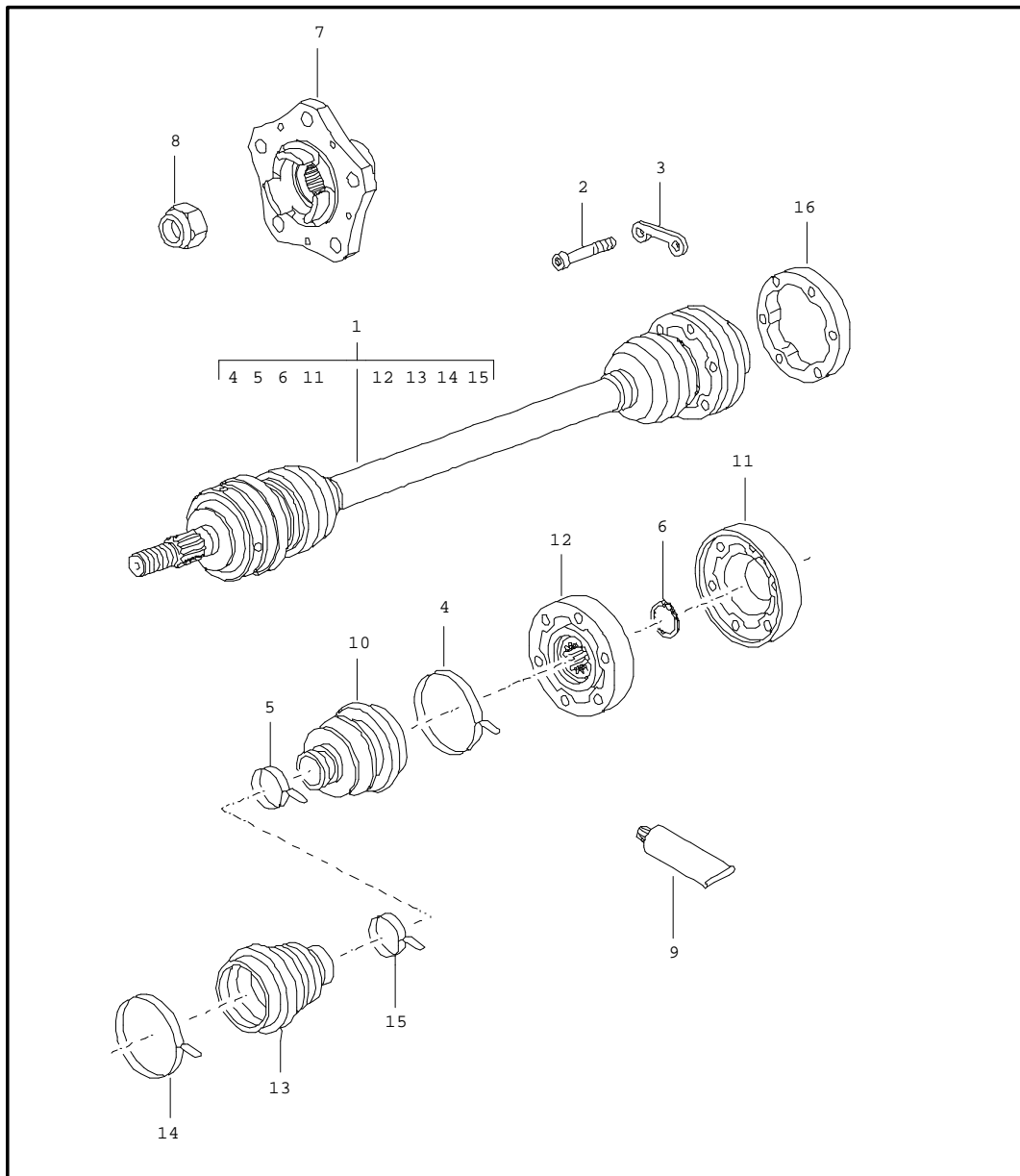
Model	Year	MG	SG	Illustration	Restrictions	Update	10:18	18.08.2004	PORSCHE	PET	PORSCHE
997	05	5	01	501-03		179					



Pos	Part Number	Name	Remarks	Qty	Model
		stabiliser			
1	997 333 701 14	stabiliser		1	I029 CARRERA 2
(1)	997 333 701 14	stabiliser		1	I475 CARRERA 2
(1)	997 333 701 14	stabiliser		1	I475/CABRIO CARRERA 2-S
(1)	997 333 701 15	stabiliser		1	I030/COUPE
(1)	997 333 701 15	stabiliser		1	I475/COUPE CARRERA 2-S
2	996 333 792 24	stabiliser mounting		2	I029 CARRERA 2
(2)	996 333 792 24	stabiliser mounting		2	I475 CARRERA 2
(2)	996 333 792 24	stabiliser mounting		2	I475/CABRIO CARRERA 2-S
(2)	996 333 792 25	stabiliser mounting		2	I030/COUPE
(2)	996 333 792 25	stabiliser mounting		2	I475/COUPE CARRERA 2-S
3	996 333 777 01	clamp		2	
4	900 378 055 09	hexagon-head bolt AM 8 X 40		4	
5	997 333 069 04	stabiliser mounting	/L	1	
(5)	997 333 070 04	stabiliser mounting	/R	1	
6	999 084 643 09	hexagon nut M 10		2	
- - - E N D - - -					

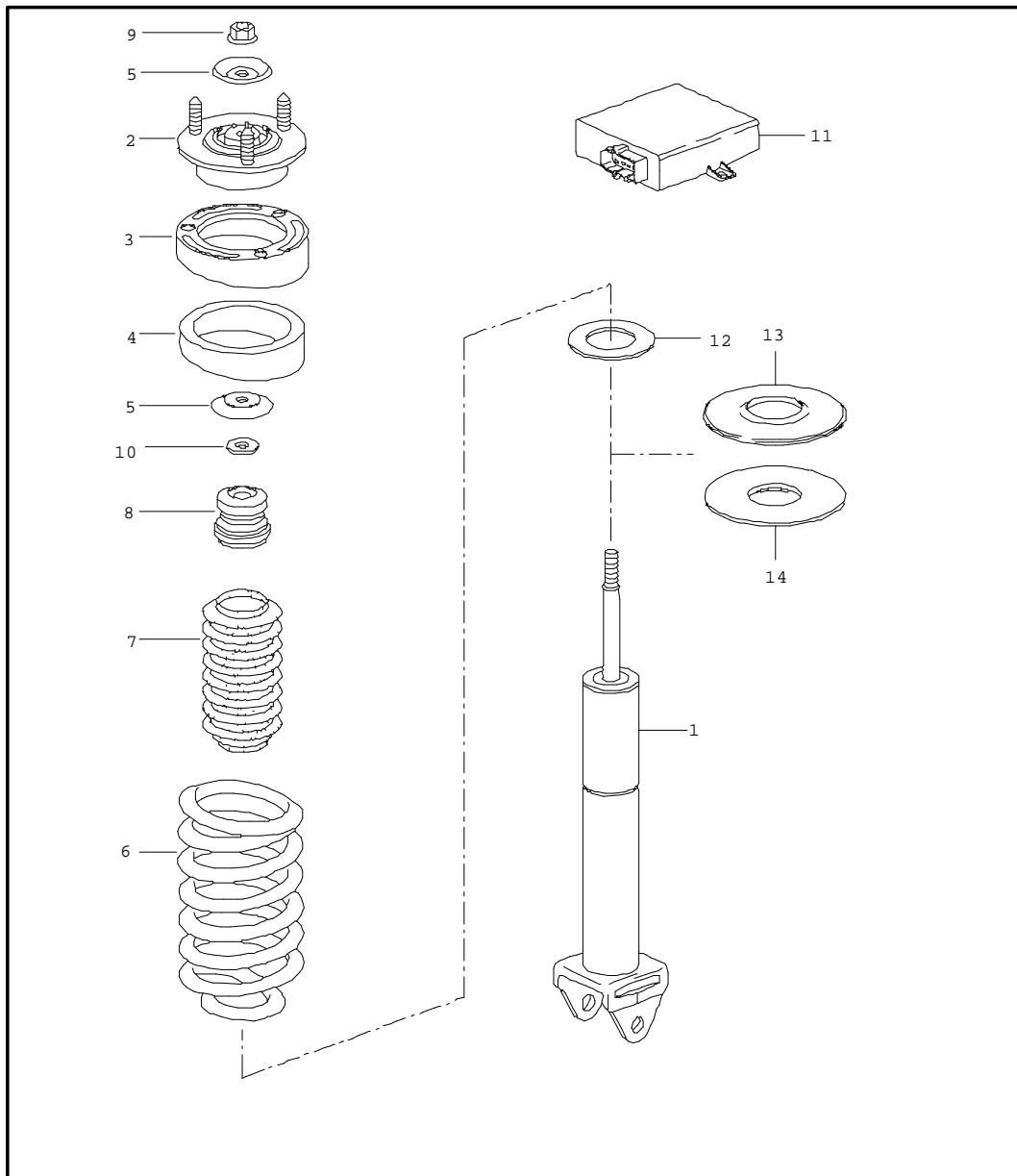


Model	Year	MG	SG	Illustration	Restrictions	Update	10:18	18.08.2004	PORSCHE	PET	PORSCHE
997	05	5	01	501-05		179					



Pos	Part Number	Name	Remarks	Qty	Model
1	997 332 024 02	drive shaft		2	I480
(1)	997 332 024 03	drive shaft		2	I249
2	900 067 229 09	pan-head screw M 10 X 48,4		12	I480
(2)	999 510 043 09	pan-head screw M 10 X 61		12	I249
(3)	996 332 191 00	plate		6	
4	911 332 257 00	clip 73 MM		2	
5	996 332 257 00	clip 34 MM		2	
6	900 041 014 00	circlip		2	
7	997 331 605 00	wheel hub		2	
8	999 084 640 02	lock nut M 22 X 1,5		2	
9	000 043 110 01	grease for drive shaft 1 tube 100 g		X	
(9)	000 043 205 36	sealing compound 1 tube 100 g		X	
10	996 332 293 00	dust bellows		2	
11	928 332 267 01	cover		2	
12	996 332 030 00	joint		2	
13	996 332 293 00	dust bellows		2	
14	911 332 257 00	clip		2	
15	996 332 257 00	clip		2	
(16)	996 332 229 01	spacer ring		2	
- - - E N D - - -					

Model	Year	MG	SG	Illustration	Restrictions	Update	10:18	18.08.2004	PORSCHE	PET	PORSCHE
997	05	5	02	502-00		179					

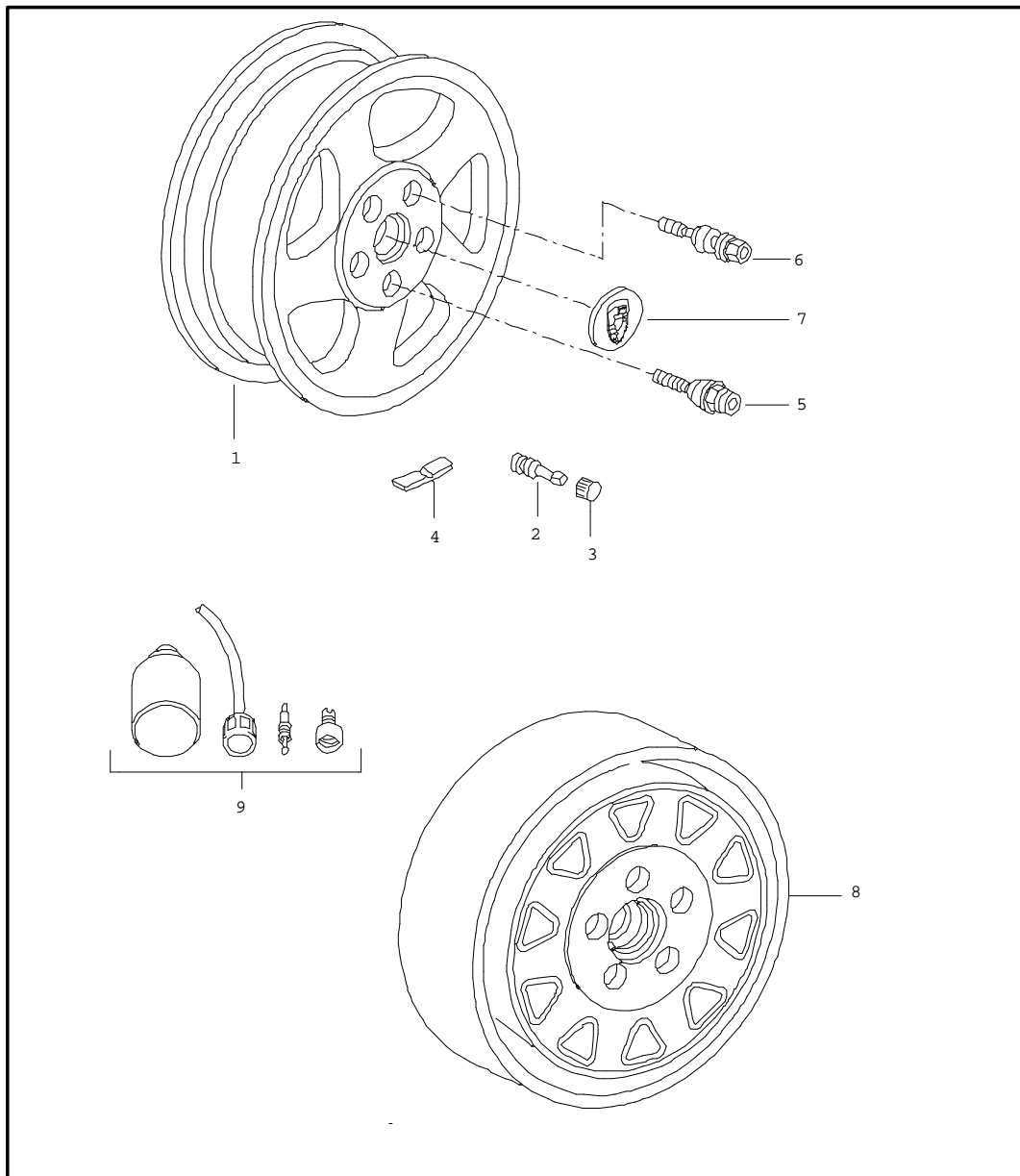


Pos	Part Number	Name	Remarks	Qty	Model
1	997 333 051 11	shock absorber coil spring		2	I029 COUPE/CABRIO CARRERA 2
(1)	997 333 051 09	shock absorber		2	I030/480 COUPE CARRERA 2 CARRERA 2-S
(1)	997 333 053 20	shock absorber		2	I475 COUPE/CABRIO CARRERA 2 CARRERA 2-S
-	900 378 138 09	mount shock absorber		2	
-	999 084 445 09	hexagon-head bolt M 12 X 1,5 X 70		2	
-	999 084 445 09	hexagon nut M 12 X 1,5		2	
2	997 333 061 00	supporting mount		2	I029 COUPE
(2)	997 333 061 01	supporting mount		2	I030/480 COUPE CARRERA 2
(2)	997 333 061 01	supporting mount		2	I475 COUPE CARRERA 2
(2)	997 333 061 01	supporting mount		2	I030/480 COUPE CARRERA 2-S
(2)	997 333 061 03	supporting mount		2	I029 CABRIO CARRERA 2
(2)	997 333 061 01	supporting mount		2	I475 COUPE CARRERA 2-S
(2)	997 333 061 02	supporting mount		2	I029 CABRIO CARRERA 2

Model	Year	MG	SG	Illustration	Restrictions	Update	10:18	18.08.2004	PORSCHE	PET	PORSCHE
997	05	5	02	502-00		179					

Pos	Part Number	Name	Remarks	Qty	Model	Pos	Part Number	Name	Remarks	Qty	Model
(2)	997 333 061 02	supporting mount		2	I475 CABRIO CARRERA 2 CARRERA 2-S	(6)	997 333 531 43	coil spring 1 set		1	I475/I249 CABRIO
-	900 380 008 09	hexagon nut M 10		6			504	marked red yellow			CARRERA 2 CARRERA 2-S
3	996 333 511 02	compensating plate 0,5 MM		X		(6)	997 333 531 49	coil spring 1 set		1	I030/I480 COUPE
(3)	996 333 511 03	compensating plate 4,0 MM		X			504	marked silver blue			CARRERA 2
4	993 333 504 00	ring		2							I030/I480 CABRIO CARRERA 2-S
5	993 333 107 01	stop plate		4		7	993 333 107 01	bellows		2	
6	997 333 531 37	coil spring 1 set		1	I029 COUPE	8	996 333 105 02	additional spring		2	I029
	504	marked violet white			CARRERA 2	(8)	997 333 105 01	additional spring		2	I475
					I029/480 CABRIO CARRERA 2	9	999 084 050 02	hexagon nut M 12 X 1		2	
(6)	997 333 531 39	coil spring 1 set		1	I029/249 CABRIO	10	999 025 271 02	washer		2	
	504	marked violet yellow			CARRERA 2	-	900 378 138 09	hexagon-head bolt M 12 X 1,5 X 70		2	
(6)	997 333 531 41	coil spring 1 set		1	I475 COUPE	-	999 084 445 09	hexagon nut M 12 X 1,5		2	
	504	marked red white			CARRERA 2	11	997 618 105 04	control unit shock absorber		1	
					I 475/480 CABRIO CARRERA 2	12	997 333 513 00	concave washer		2	I029 I475
					I475 COUPE CARRERA 2 CARRERA 2-S	13	997 333 523 00	concave washer		2	I030
						14	997 333 513 01	concave washer		2	I030
						15	999 152 163 00	snap ring SW 52		2	
						16	997 618 205 00	support		2	
					I475/I480 CABRIO CARRERA 2-S					1	
											- - - E N D - - -

Model	Year	MG	SG	Illustration	Restrictions	Update	10:19	18.08.2004	PORSCHE	PET	PORSCHE
997	05	6	01	601-00		179					

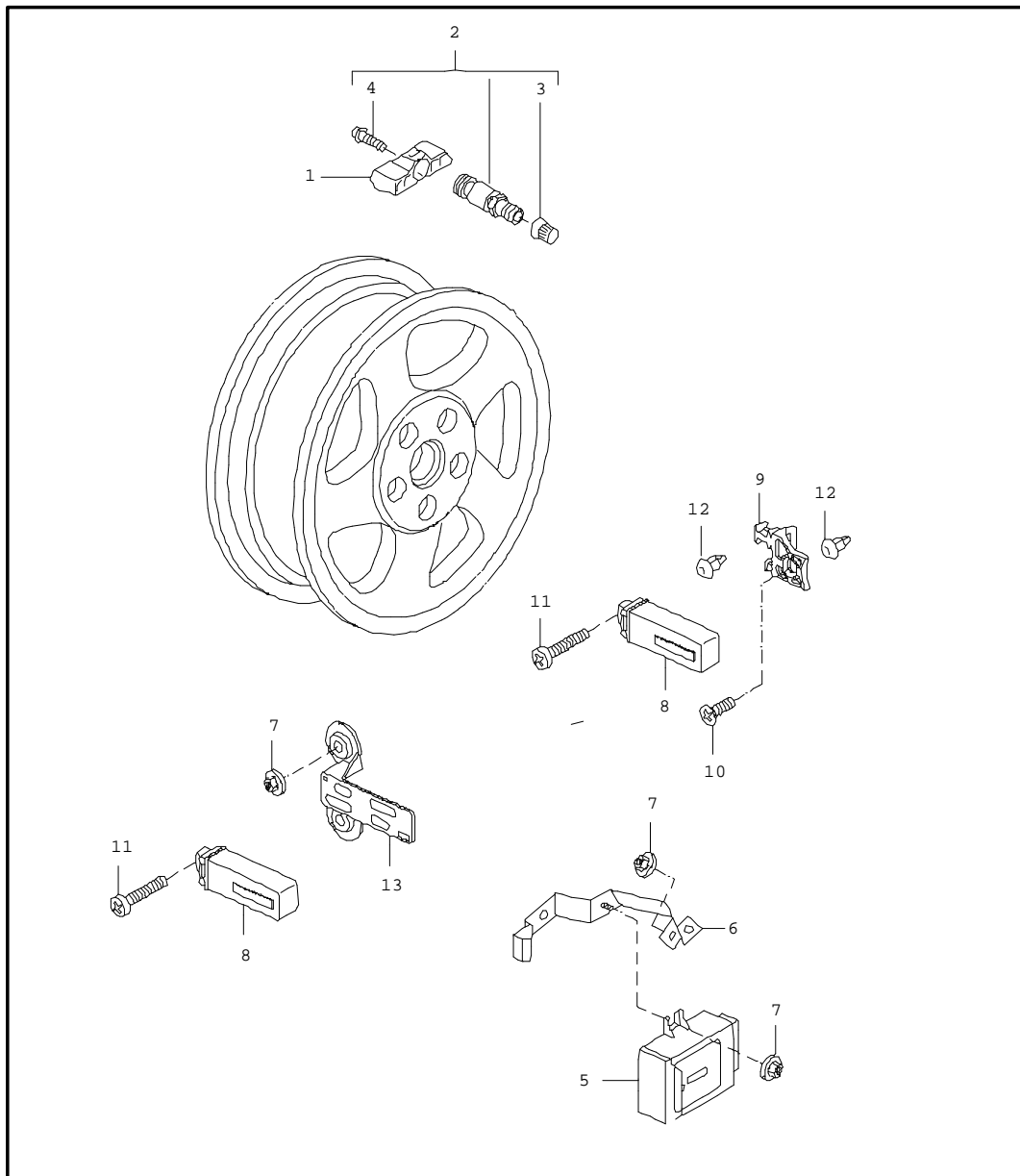


Pos	Part Number	Name	Remarks	Qty	Model
		wheels			
1	997 362 136 00	disc wheel 8 J X 18 ET 57	/V	2	I402
(1)	997 362 156 00	disc wheel 8 J X 19 ET 57	/V	2	I403
(1)	997 362 156 03	disc wheel 8 J X 19 ET 57	/V	2	I405
(1)	997 362 156 04	disc wheel 8 J X 19 ET 57	/V	2	I407
(1)	997 362 140 01	disc wheel 10 J X 18 ET 58	/H	2	I402
(1)	997 362 162 01	disc wheel 11 J X 19 ET 67	/H	2	I403
(1)	997 362 162 04	disc wheel 11 J X 19 ET 67	/H	2	I405
(1)	997 362 162 07	disc wheel 11 J X 19 ET 67	/H	2	I407
2	900 265 001 50	valve rubber		4	
(2)	... ..	valve tyre pressure monit. sys. see group 6/01/05		4	I482/I483
3	955 361 163 00	valve cap for rubber valve		4	
4	1K0 601 178 C	balance stick-on weight 5 G.		X	
(4)	1K0 601 179 C	balance stick-on weight 10 G.		X	
(4)	1K0 601 181 C	balance stick-on weight 15 G.		X	

Model	Year	MG	SG	Illustration	Restrictions	Update	10:19	18.08.2004	PORSCHE	PET	PORSCHE
997	05	6	01	601-00		179					

Pos	Part Number	Name	Remarks	Qty	Model	Pos	Part Number	Name	Remarks	Qty	Model
(4)	1K0 601 182 C	balance stick-on weight 20 G.		X				- - - E N D - - -			
(4)	1K0 601 183 C	balance stick-on weight 25 G.		X							
(4)	1K0 601 184 C	balance stick-on weight 30 G.		X							
(4)	1K0 601 185 C	balance stick-on weight 35 G.		X							
(4)	1K0 601 186 C	balance stick-on weight 40 G.		X							
(4)	1K0 601 187 C	balance stick-on weight 45 G.		X							
(4)	1K0 601 188 C	balance stick-on weight 50 G.		X							
(4)	1K0 601 189 C	balance stick-on weight 55 G.		X							
(4)	1K0 601 190 C	balance stick-on weight 60 G.		X							
5	996 361 057 02	wheel bolt anti-theft protection 1 set		1							
6	996 361 203 02	wheel bolt		16							
7	955 361 303 00	hub cap emblem black		4							
	9A1	silver									
(7)	955 361 303 05	hub cap emblem coloured		4	I446						
	9A1	silver									
8	996 362 020 02	emergency wheel		1	I447						
-	996 361 521 00	boot for emergency wheel		1	I447						
-	999 914 001 40	gloves		X	I447						
9	955 722 631 00	compressed air bottle		1							

Model	Year	MG	SG	Illustration	Restrictions	Update	10:19	18.08.2004	PORSCHE	PET	PORSCHE
997	05	6	01	601-05		179					

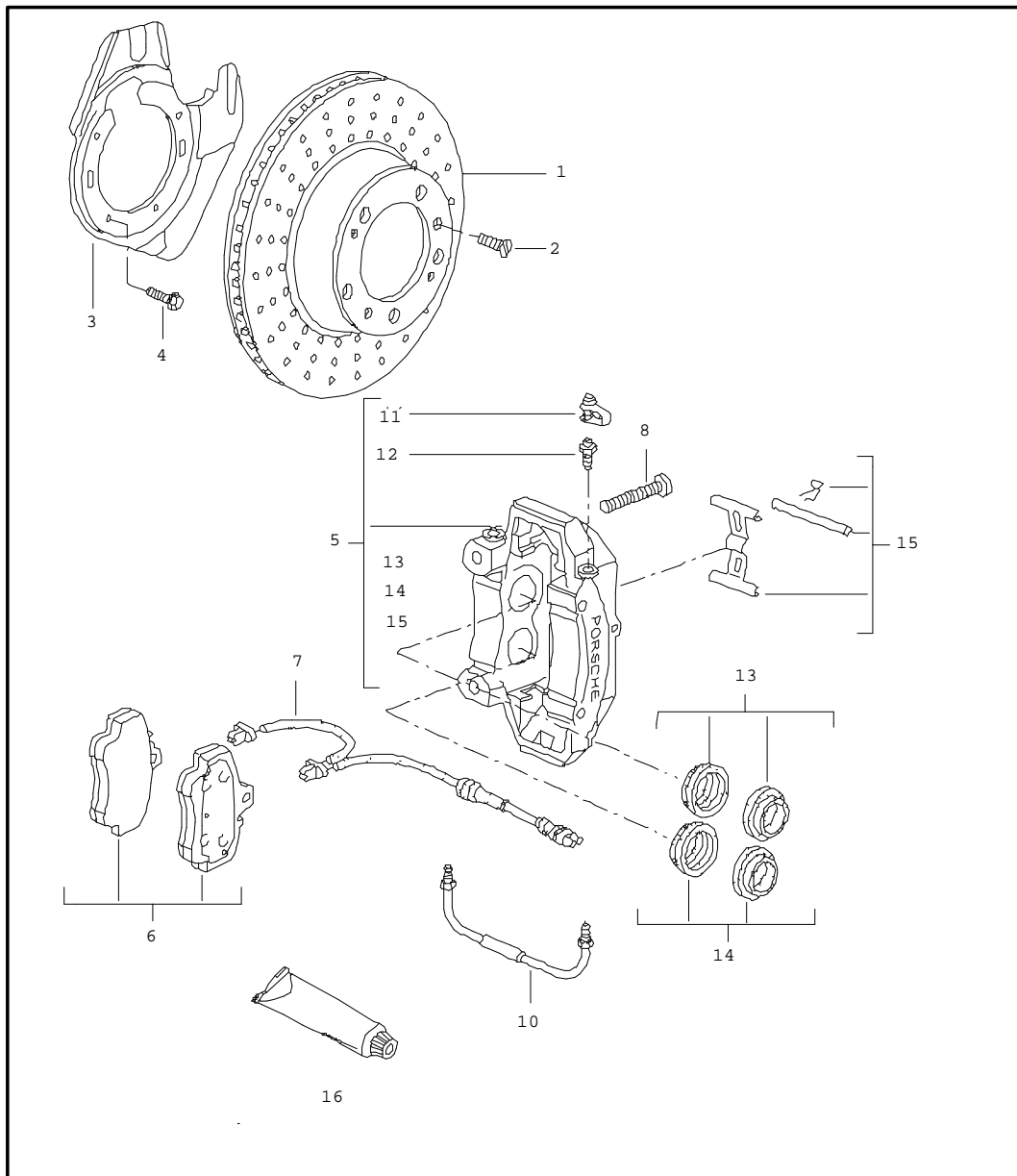


Pos	Part Number	Name	Remarks	Qty	Model
		tyre pressure monit. sys.			I482/I483
1	997 606 021 00	sensor tyre pressure gauge use also: 955.361.053.00		4	I482
(1)	997 606 023 00	sensor tyre pressure gauge use also: 955.361.053.00		4	I483
(1)	997 606 025 00	sensor tyre pressure gauge use also: 955.361.053.00		4	I483 I074/I193
2	955 361 053 00	valve aluminium		4	
3	N 908 729 01	valve cap		4	
4	4D0 601 365	fastening screw		4	
5	997 618 103 05	control unit		1	
6	997 618 203 00	support control unit		1	
7	999 076 081 40	plastic nut T5 16 X 11, 2		7	
8	997 606 101 00	antenna 433 MHZ use also: rear axle clip 997.606.225.00		4	I482
(8)	997 606 103 00	antenna 415 MHZ use also: rear axle clip 997.606.225.00		4	I483
9	997 606 225 00	clip for antenna rear axle		2	
10	999 919 121 09	oval-head screw M 5 X 16		2	

Model	Year	MG	SG	Illustration	Restrictions	Update	10:19	18.08.2004	PORSCHE	PET	PORSCHE
997	05	6	01	601-05		179					

Pos	Part Number	Name	Remarks	Qty	Model	Pos	Part Number	Name	Remarks	Qty	Model
11	999 919 023 09	oval-head screw M 5 X 35		4							
12	N 105 168 01	expander nut ST 4,8		4							
13	997 606 141 00	support antenna front		2							
14	N 997 606 131 00	support antenna rear axle		2							
- - - E N D - - -											

Model	Year	MG	SG	Illustration	Restrictions	Update	10:19	18.08.2004	PORSCHE	PET	PORSCHE
997	05	6	02	602-00		179					



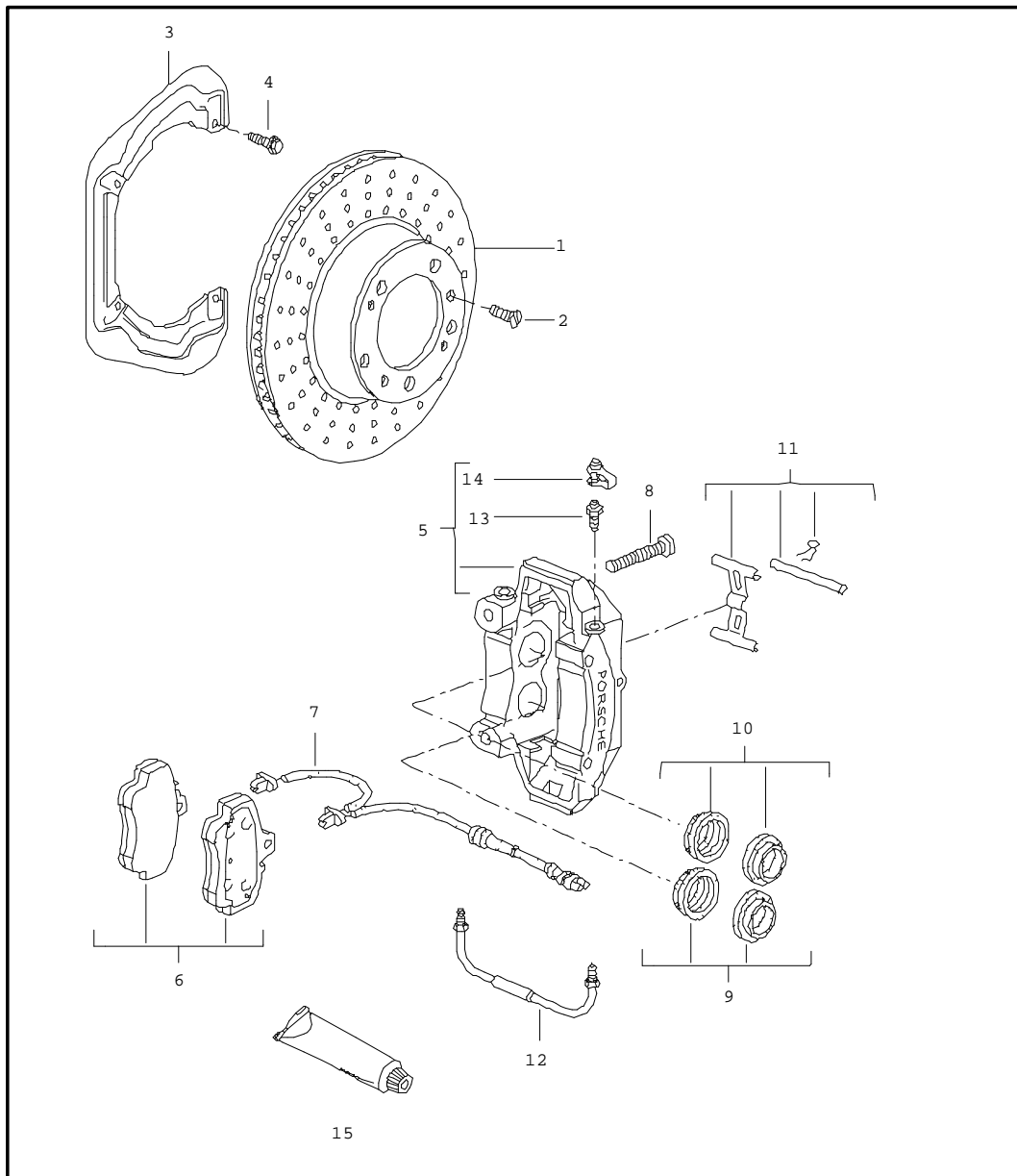
Pos	Part Number	Name	Remarks	Qty	Model
		disc brake front axle			
1	996 351 405 01	brake disc	/L	1	CARRERA 2
(1)	996 351 409 02	brake disc	/L	1	CARRERA 2-S
(1)	996 351 031 03	brake disc	/L	1	I450
(1)	996 351 406 01	brake disc	/R	1	CARRERA 2
(1)	996 351 410 02	brake disc	/R	1	CARRERA 2-S
(1)	996 351 032 03	brake disc	/R	1	I450
2	900 269 047 09	countersunk-head screw M 6 X 12		4	
3	997 351 801 02	protective plate	/L	1	
(3)	997 351 802 02	protective plate	/R	1	
4	999 217 116 09	hexagon-head bolt M 6 X 16		X	
5	997 351 421 00	fixed calliper without pad	/L	1	CARRERA 2
(5)	996 351 429 10	fixed calliper without pad	/L	1	CARRERA 2-S
(5)	996 351 431 30	fixed calliper without pad	/L	1	I450
(5)	997 351 422 00	fixed calliper without pad	/R	1	CARRERA 2
(5)	996 351 430 10	fixed calliper without pad	/R	1	CARRERA 2-S
(5)	996 351 432 30	fixed calliper without pad	/R	1	I450
(6)	996 352 949 03	set of brake pads use also: mounting parts		1	CARRERA 2
(6) N	997 351 939 02	set of brake pads use also: mounting parts		1	CARRERA 2 I448
(6)	996 351 949 12	set of brake pads use also: mounting parts		1	CARRERA 2-S



Model	Year	MG	SG	Illustration	Restrictions	Update	10:19	18.08.2004	PORSCHE	PET	PORSCHE
997	05	6	02	602-00		179					

Pos	Part Number	Name	Remarks	Qty	Model	Pos	Part Number	Name	Remarks	Qty	Model
(6)	996 351 947 01	set of brake pads use also: mounting parts		1	I450	-	996 351 915 00	repair kit protection caps 32 MM		X	I450
-	996 351 088 01	damping plate		4	CARRERA 2	-	951 351 917 00	repair kit protection caps 28 MM		X	I450
-	996 351 089 00	damping plate		4	CARRERA 2-S						
-	996 352 086 01	damping plate		12	I450	(15) P	996 351 959 11	repair kit mounting parts bolt expanding spring securing clip		X	
7	997 612 678 00	warning contact		2							
(7) N	997 612 675 01	warning contact		2	CARRERA 2 I448	(15)	996 351 959 11	repair kit mounting parts bolt expanding spring securing clip		1	CARRERA 2-S
(7)	997 612 679 00	warning contact		2	I450						
-	999 507 464 40	clip		2							
-	944 612 627 00	cable holder for warning contact		2		(15)	996 351 959 30	repair kit mounting parts bolt expanding spring securing clip		1	CARRERA 2 I448
8	999 067 041 09	pan-head screw M 12 X 1,5 X 72		4	CARRERA 2						
(8)	999 067 050 09	pan-head screw M 12 X 1,5 X 77		4	CARRERA 2-S	16	000 043 117 00	brake cylinder paste 50 G		X	
(8)	999 067 047 09	pan-head screw M 12 X 1,5 X 85		4	I450	16	000 043 020 00	optimoly 100 G		X	
(10)	996 351 961 11	connecting line	/L	1				- - - E N D - - -			
(10)	996 351 962 11	connecting line	/R	1							
(10)	996 351 961 30	connecting line		2	I450						
11	930 351 919 00	ventilation valve		2							
12	930 351 927 00	cap		2							
13	928 351 917 00	repair kit protection caps 44 MM		X	CARRERA 2 CARRERA 2-S						
14	951 351 917 00	repair kit protection caps 36 MM		X	CARRERA 2 CARRERA 2-S						
-	996 351 915 01	repair kit protection caps 38 MM		X	I450						

Model	Year	MG	SG	Illustration	Restrictions	Update	10:19	18.08.2004	PORSCHE	PET	PORSCHE
997	05	6	03	603-00		179					



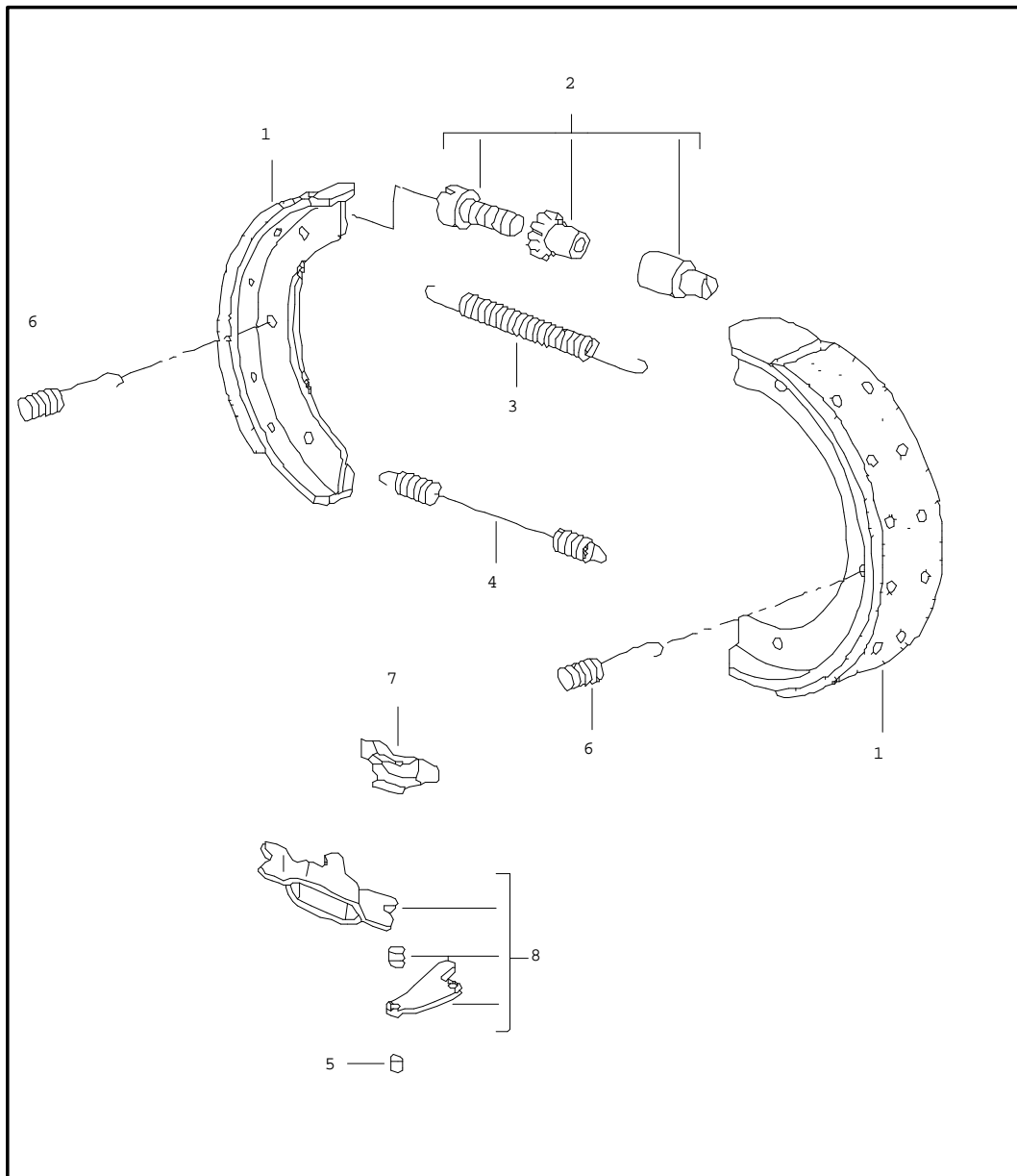
Pos	Part Number	Name	Remarks	Qty	Model
		disc brake rear axle			
(1)	996 352 401 04	brake disc		2	CARRERA 2
(1)	996 352 405 00	brake disc	/L	1	CARRERA 2-S
(1)	996 352 031 03	brake disc	/L	1	I450
(1)	996 352 406 00	brake disc	/R	1	CARRERA 2-S
(1)	996 352 032 03	brake disc	/R	1	I450
(2)	900 269 047 09	countersunk-head screw M 6 X 12		4	
(3)	996 352 801 03	protective plate		2	
4	999 217 116 09	hexagon-head bolt M 6 X 16		X	
5	997 352 421 00	fixed calliper without pad	/L	1	CARRERA 2
(5)	996 352 425 60	fixed calliper without pad	/L	1	CARRERA 2-S
(5)	996 352 423 30	fixed calliper without pad	/L	1	I450
(5)	997 352 422 00	fixed calliper without pad	/R	1	CARRERA 2
(5)	996 352 426 60	fixed calliper without pad	/R	1	CARRERA 2-S
(5)	996 352 424 30	fixed calliper without pad	/R	1	I450
(6)	996 352 939 03	set of brake pads use also: mounting parts		1	CARRERA 2
(6) N	997 352 939 00	set of brake pads use also: mounting parts		1	CARRERA 2 I448
(6)	996 352 949 03	set of brake pads use also: mounting parts		1	CARRERA 2-S
(6)	996 352 947 01	set of brake pads use also: mounting parts		1	I450

Model	Year	MG	SG	Illustration	Restrictions	Update	10:19	18.08.2004	PORSCHE	PET	PORSCHE
997	05	6	03	603-00		179					

Pos	Part Number	Name	Remarks	Qty	Model	Pos	Part Number	Name	Remarks	Qty	Model
-	964 352 096 00	damping plate 30 MM		X	CARRERA 2	(12)	996 351 961 00	connecting line	/R	1	CARRERA 2-S
-	996 352 086 01	damping plate 28 MM		X	CARRERA 2	(12)	996 352 961 30	connecting line	/L	1	I450
-	964 352 096 00	damping plate 30 MM		X	CARRERA 2-S	(12)	996 352 961 30	connecting line	/R	1	I450
-	964 352 096 00	damping plate 30 MM		X	CARRERA 2-S	13	930 351 919 01	ventilation valve		4	
-	996 352 086 01	damping plate 28 MM		X	CARRERA 2-S	14	930 351 927 00	cap		4	
-	996 352 086 01	damping plate 28 MM		X	I450	15	000 043 117 00	brake cylinder paste 50 G		X	
-	996 352 086 01	damping plate 28 MM		X	I450	(15)	000 043 020 00	optimoly 100 G		X	
7	996 612 365 00	warning contact		2							
(7) P	997 612 676 01	warning contact		2	I448						
7	997 612 676 01	warning contact		2	I450						
(8)	999 067 041 09	pan-head screw M 12 X 1,5 X 72		4							
9	951 352 917 01	repair kit protection caps 30 MM		2	CARRERA 2-S						
10	951 352 917 00	repair kit protection caps 28 MM		2	CARRERA 2 S						
(9)	951 352 917 01	repair kit protection caps 30 MM		2	I450						
(10)	951 352 917 00	repair kit protection caps 28 MM		2	I450						
(11)	996 351 959 00	repair kit mounting parts bolt expanding spring securing clip		1 2 2 2	CARRERA 2-S						
(11)	996 351 959 01	repair kit mounting parts bolt expanding spring securing clip		1	I450						
(12)	996 351 962 00	connecting line	/L	1	CARRERA 2-S						

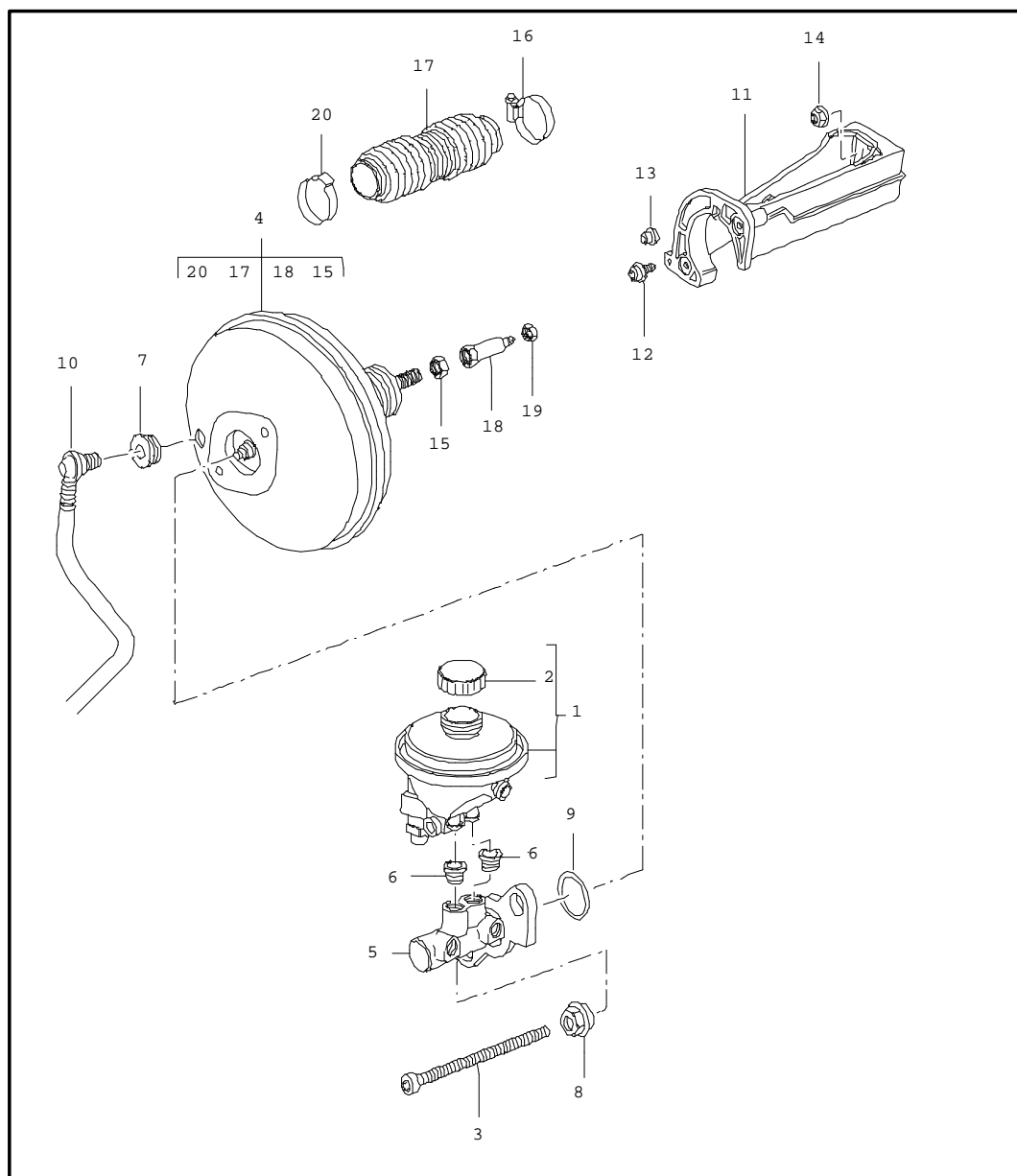
- - - E N D - - -

Model	Year	MG	SG	Illustration	Restrictions	Update	10:19	18.08.2004	PORSCHE	PET	PORSCHE
997	05	6	03	603-05		179					



Pos	Part Number	Name	Remarks	Qty	Model
		handbrake			
(1)	996 352 993 01	brake shoe 1 set		1	
2	993 352 071 00	adjusting screw		2	
3	997 352 721 00	tension spring short		2	
4	997 352 723 01	tension spring long		2	
5	993 352 737 00	bolt		2	
6	996 352 741 00	compression spring		4	
7	997 352 807 00	supporting plate		2	
8	993 352 073 00	push-button lock complete		2	
		- - - E N D - - -			

Model	Year	MG	SG	Illustration	Restrictions	Update	10:20	18.08.2004	PORSCHE	PET	PORSCHE
997	05	6	04	604-00		179					

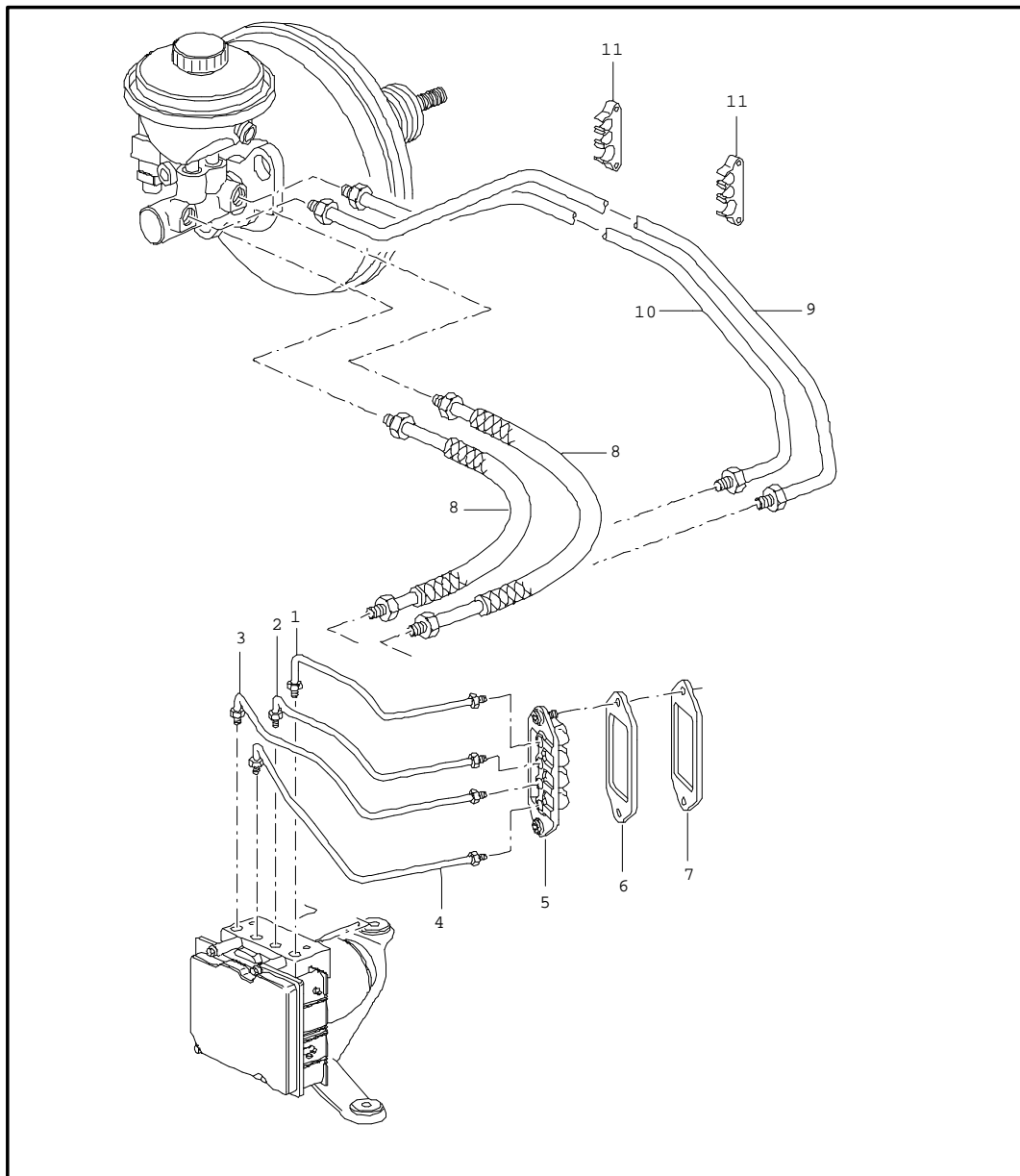


Pos	Part Number	Name	Remarks	Qty	Model
1	997 355 013 00	brake master cylinder brake booster		1	I480
(1)	997 355 013 20	brake fluid reservoir		1	I249
2	996 355 119 01	screw cap		1	
-	997 355 125 00	contacts for container		1	
3	999 073 124 09	pan-head screw M 8 X 154 X 80		2	
4	997 355 923 00	brake booster		1	
-	996 355 137 01	cap threaded joint brake booster		1	
5	997 355 910 00	brake master cylinder		1	CARRERA 2
(5)	997 355 910 10	brake master cylinder		1	I 450 CARRERA 2
(5)	997 355 910 10	brake master cylinder		1	CARRERA 2-S
6	993 355 922 00	gasket		2	
7	999 702 182 40	gasket		1	
8	997 355 925 00	hexagon nut		2	
9	993 355 212 00	sealing ring		1	
10	997 355 577 00	vacuum line	/LL	1	
(10)	997 355 578 00	vacuum line	/RL	1	
11	997 423 251 00	intermediate piece		1	
12	900 067 240 02	screw M 6 X 12 Z1		2	
13	999 703 448 50	plug	/R	1	
14	900 380 005 09	hexagon nut M 8		2	
15	900 183 015 02	hexagon nut M 12 X 1,5		1	

Model	Year	MG	SG	Illustration	Restrictions	Update	10:20	18.08.2004	PORSCHE	PET	PORSCHE
997	05	6	04	604-00		179					

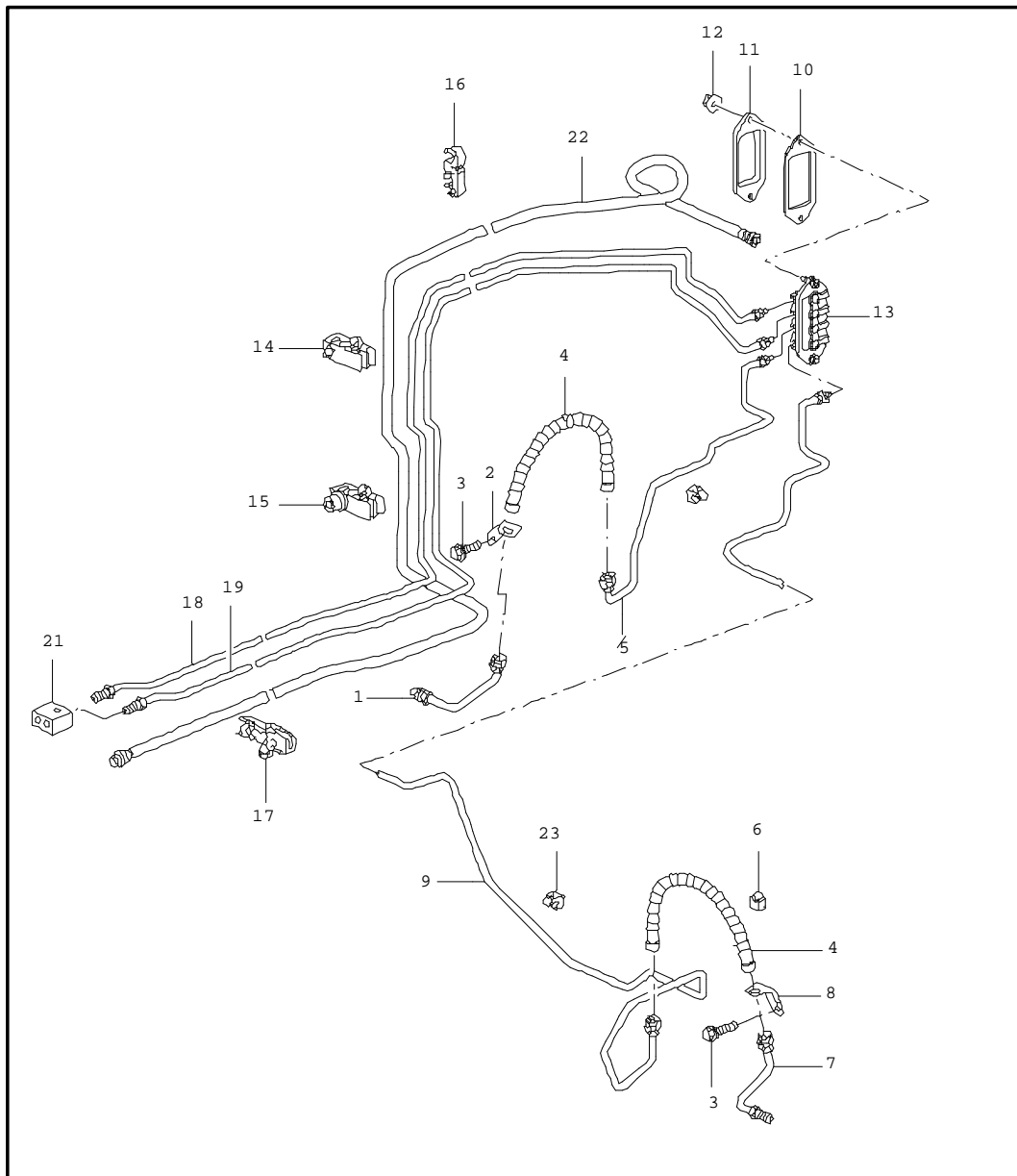
Pos	Part Number	Name	Remarks	Qty	Model	Pos	Part Number	Name	Remarks	Qty	Model
-	996 355 901 01	gasket brake booster bulkhead		1							
16	999 512 478 00	hose clamp		1							
17	996 423 269 05	bellows		1							
18	996 355 927 01	connecting piece		1							
19	900 380 015 09	hexagon nut M 6		1							
20	999 512 672 00	clamp		1							
		- - - E N D - - -									

Model	Year	MG	SG	Illustration	Restrictions	Update	10:20	18.08.2004	PORSCHE	PET	PORSCHE
997	05	6	04	604-05		179					



Pos	Part Number	Name	Remarks	Qty	Model
		brake lines body front section			
1	997 355 315 00	pressure line		1	
2	997 355 316 00	pressure line		1	
3	997 355 327 00	pressure line		1	
4	997 355 326 00	pressure line		1	
5	997 355 650 00	intermediate piece		1	
6	997 355 752 00	gasket		1	
7	997 355 753 00	reinforcement		1	
8	997 355 311 00	pressure line	/LL	2	
9	997 355 312 00	pressure line	/RL	1	
10	997 355 314 00	pressure line	/RL	1	
11	999 507 632 40	support		2	
		- - - E N D - - -			

Model	Year	MG	SG	Illustration	Restrictions	Update	10:20	18.08.2004	PORSCHE	PET	PORSCHE
997	05	6	04	604-10		179					



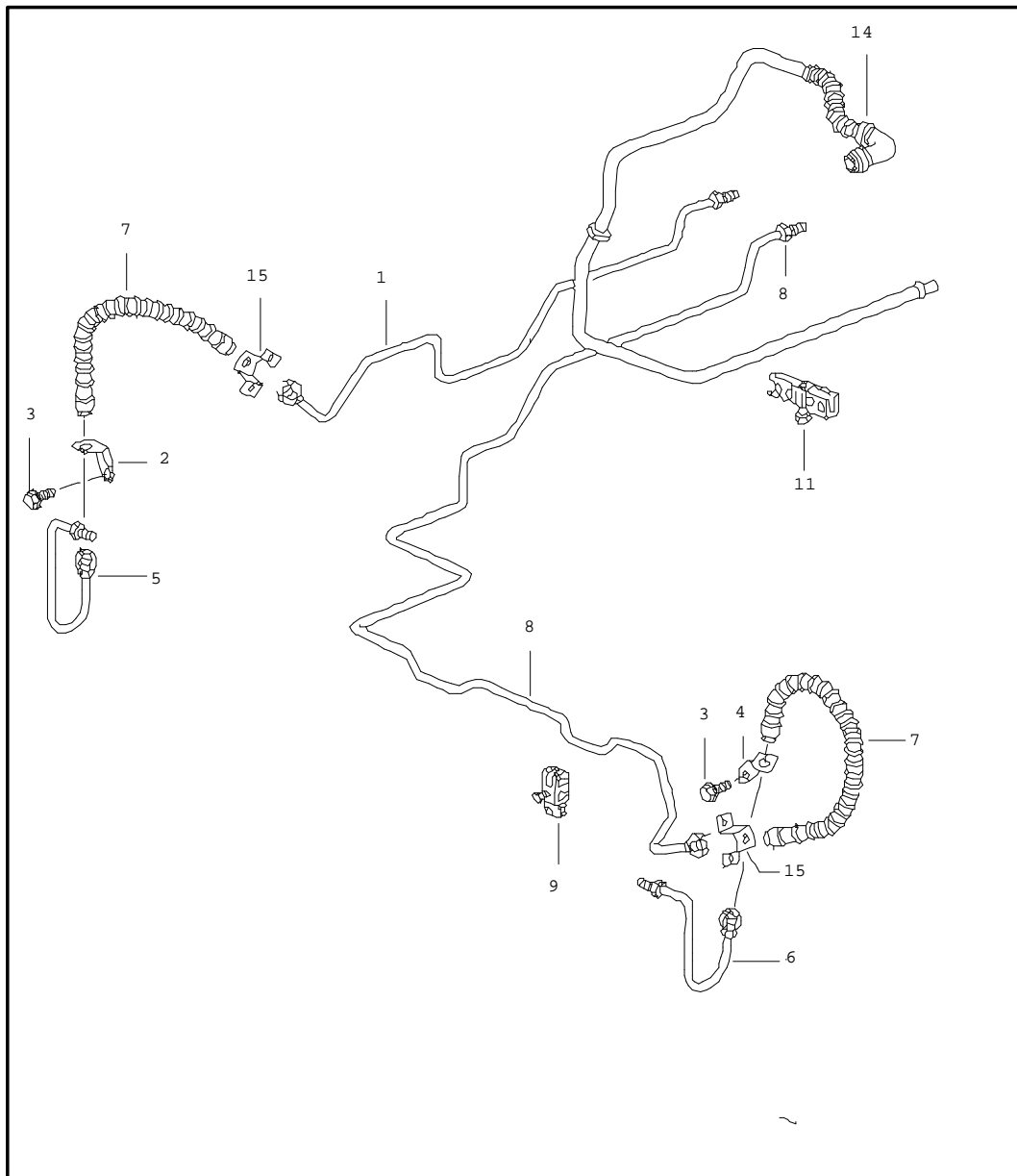
Pos	Part Number	Name	Remarks	Qty	Model
		brake lines			
		brake lines			
		underbody			
		vacuum line			
1	996 355 581 06	brake line	/L	1	
(1)	996 355 581 9B	brake line		1	I450
2	996 355 501 06	support	/L	1	
3	900 067 117 09	screw M 6 X 16		2	
4	996 355 139 01	brake hose		2	
5	997 355 175 02	brake line	/L	1	
6	999 591 930 40	cable holder		X	
7	996 355 584 06	brake line	/R	1	
(7)	996 355 584 9B	brake line	/R	1	I450
8	996 355 502 06	support	/R	1	
9	997 355 176 02	brake line		1	
10	997 355 753 00	reinforcement		1	
11	997 355 752 00	gasket		1	
12	900 380 015 09	hexagon nut M 6		3	
13	997 355 650 00	intermediate piece		1	
14	996 355 545 00	support		3	
15	996 355 549 00	support		1	
16	996 355 547 01	support		2	
17	996 355 543 00	support		1	
18	997 355 177 01	brake line		1	
19	997 355 179 01	brake line		1	
21	996 355 760 31	connecting piece		1	
22	997 355 571 01	vacuum line		1	
23	999 651 331 40	support		5	



Model	Year	MG	SG	Illustration	Restrictions	Update	10:20	18.08.2004	PORSCHE	PET	PORSCHE
997	05	6	04	604-10		179					

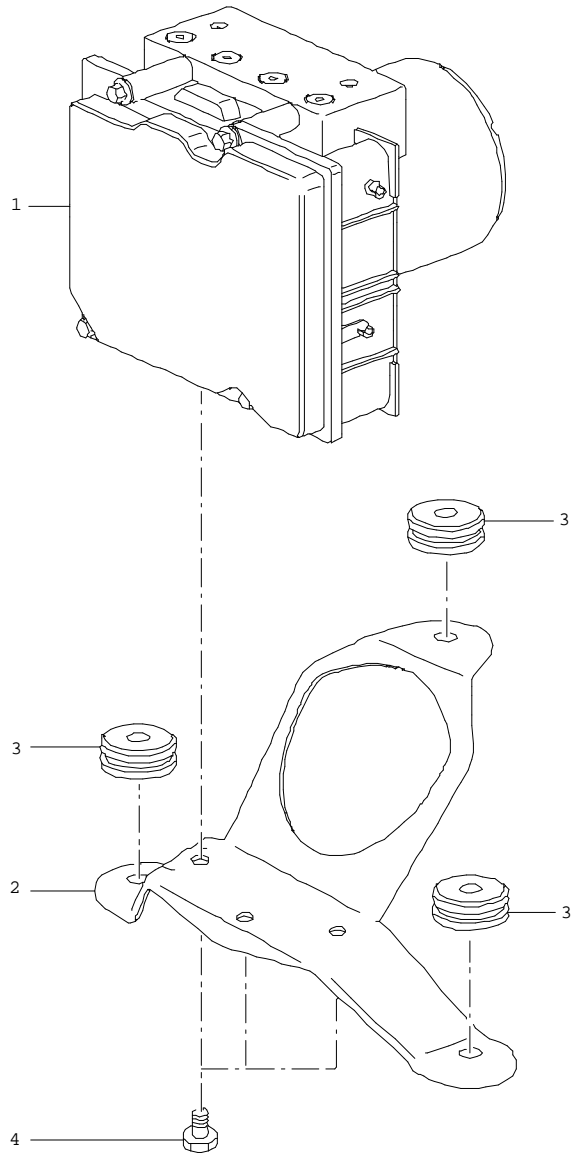
Pos	Part Number	Name	Remarks	Qty	Model	Pos	Part Number	Name	Remarks	Qty	Model
		- - - E N D - - -									

Model	Year	MG	SG	Illustration	Restrictions	Update	10:20	18.08.2004	PORSCHE	PET	PORSCHE
997	05	6	04	604-15		179					



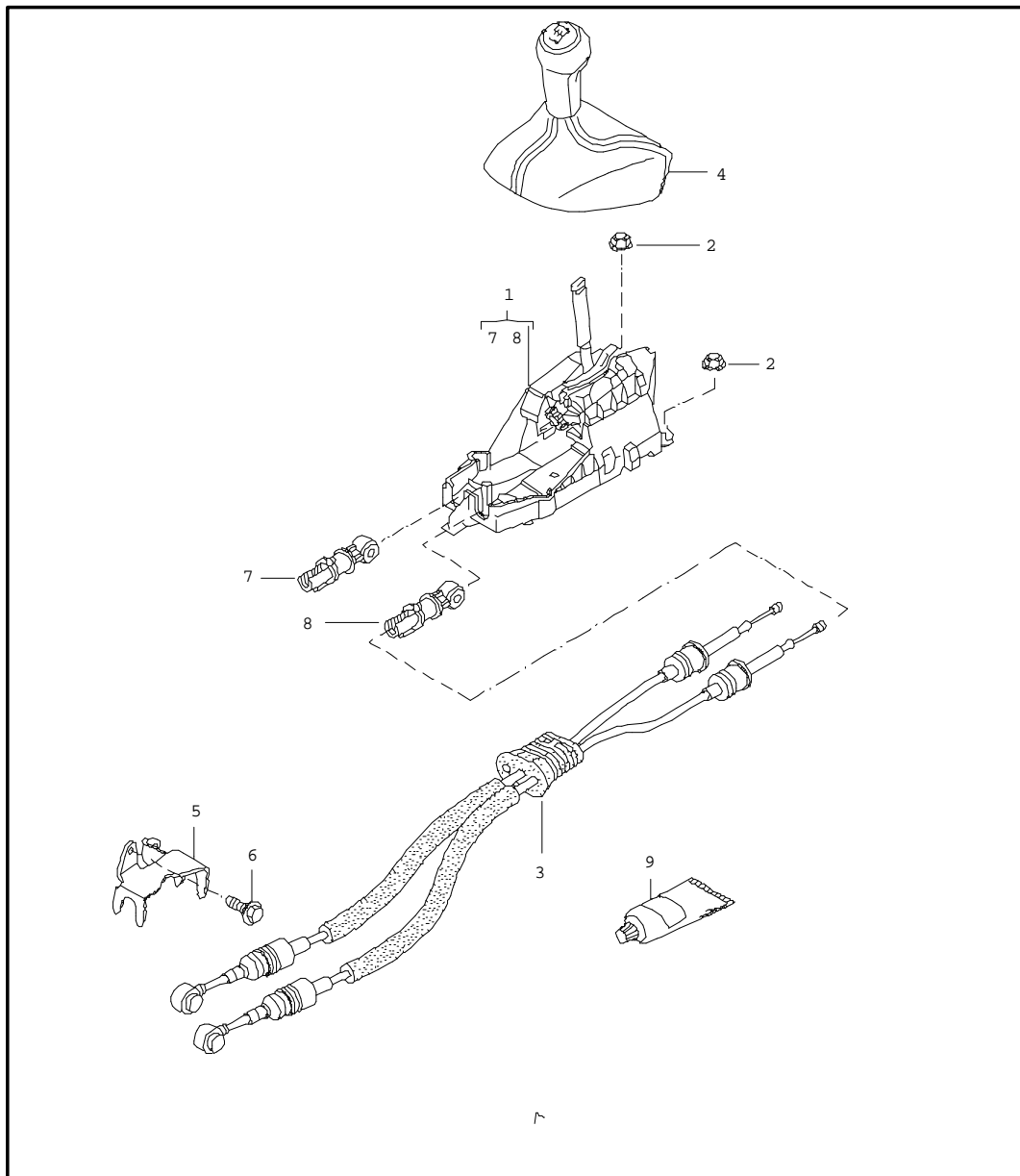
Pos	Part Number	Name	Remarks	Qty	Model
		brake line underbody rear axle vacuum line			
1	997 355 189 00	brake line	/L	1	
2	996 355 503 00	support	/L	1	
(2)	996 355 503 10	support	/L	1	I450
3	900 067 117 09	screw M 6 X 16		2	
4	996 355 504 00	support	/R	1	
(4)	996 355 504 10	support	/R	1	I450
5	996 355 585 00	brake line	/L	1	
(5)	996 355 585 10	brake line	/L	1	I450
6	996 355 586 00	brake line	/R	1	
(6)	996 355 586 10	brake line	/R	1	I450
7	996 355 139 01	brake hose		2	
8	997 355 190 01	brake line		1	
9	996 347 543 00	support		3	
11	996 355 543 00	support		1	
14 A	997 355 575 00	vacuum line		1	
(14) N	997 355 575 01	vacuum line		1	
-	999 507 495 40	support		1	
(15)	996 501 815 02	support		2	
	GRV	prime coated			
		- - - E N D - - -			

Model	Year	MG	SG	Illustration	Restrictions	Update	10:20	18.08.2004	PORSCHE	PET	PORSCHE
997	05	6	05	605-00		179					



Pos	Part Number	Name	Remarks	Qty	Model
		hydraulic unit anti-lock brake system control			
1	997 355 955 04	hydraulic unit		1	
2	997 355 033 00	support with rubber mounting		1	
3	964 356 635 00	rubber mounting		3	
4	900 385 060 09	fastening screw BM 6 X 10		3	
- - - E N D - - -					

Model	Year	MG	SG	Illustration	Restrictions	Update	10:21	18.08.2004	PORSCHE	PET	PORSCHE
997	05	7	01	701-00		179					

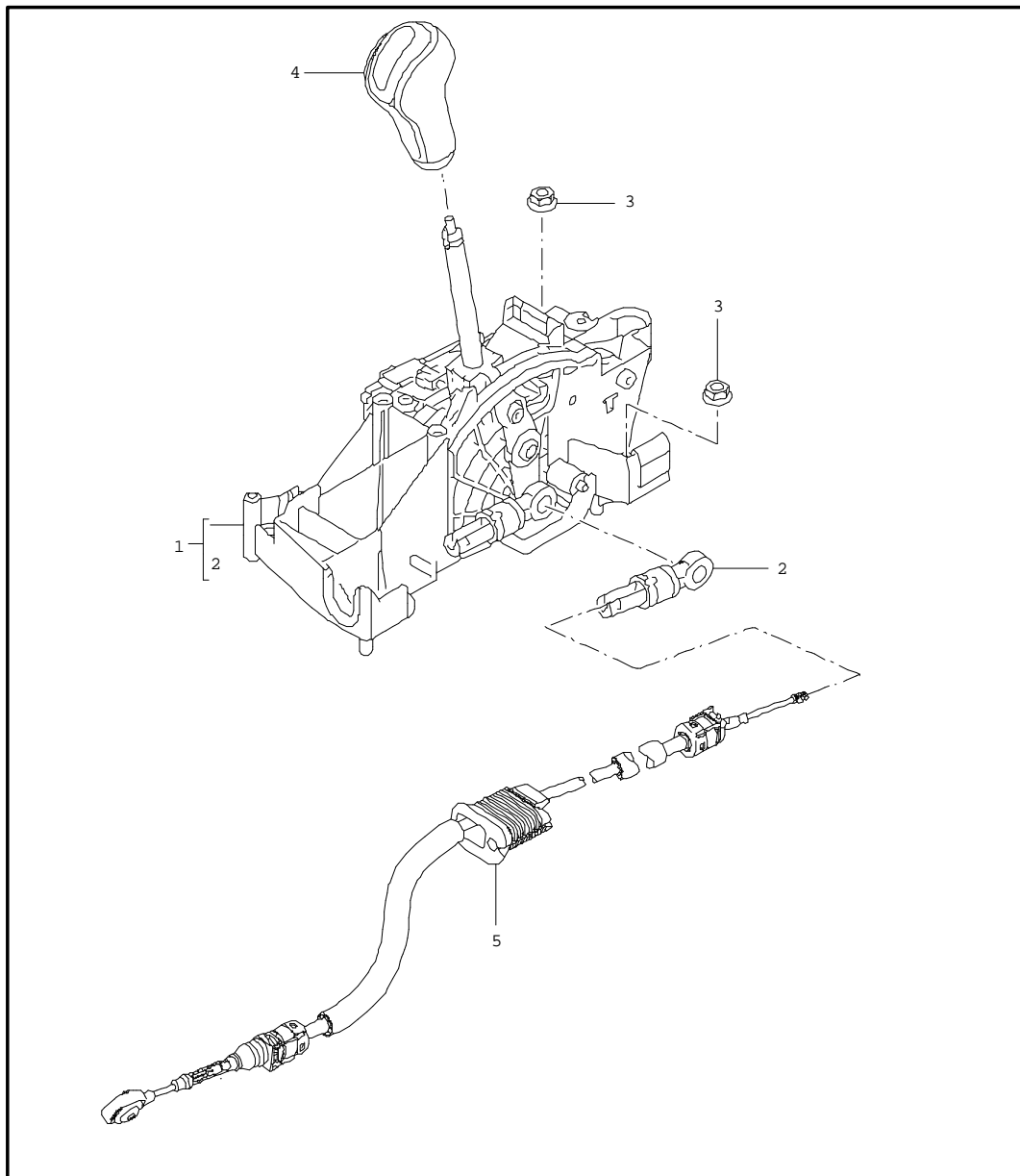


Pos	Part Number	Name	Remarks	Qty	Model
		transmission control manual transmission			I480
1	997 424 010 00	gearshift bracket		1	
2	999 084 629 09	hexagon nut M 6		4	
3	997 424 041 00	cable transmission control		1	
4	997 424 075 00	gearshift knob leather shift pattern black		1	CARRERA
		FOT	black/black		
		FOU	stone grey/stone grey		
		FOV	sand beige/sand beige		
		FOW	seeblue/seeblue		
		FOX	palm-green/palm-green		
		FPW	terrakotta/terrakotta		
		FPX	cocoa/cocoa		
		FOY	dark grey/dark grey		
		FOZ	brown nat./brown nat.		
(4)	997 424 075 01	gearshift knob leather shift pattern aluminium look		1	CARRERA-S
		FOT	black/black		
		FOU	stone grey/stone grey		
		FOV	sand beige/sand beige		
		FOW	seeblue/seeblue		
		FOX	palm-green/palm-green		
		FPW	terrakotta/terrakotta		
		FPX	cocoa/cocoa		
		FOY	dark grey/dark grey		

Model	Year	MG	SG	Illustration	Restrictions	Update	10:21	18.08.2004	PORSCHE	PET	PORSCHE
997	05	7	01	701-00		179					

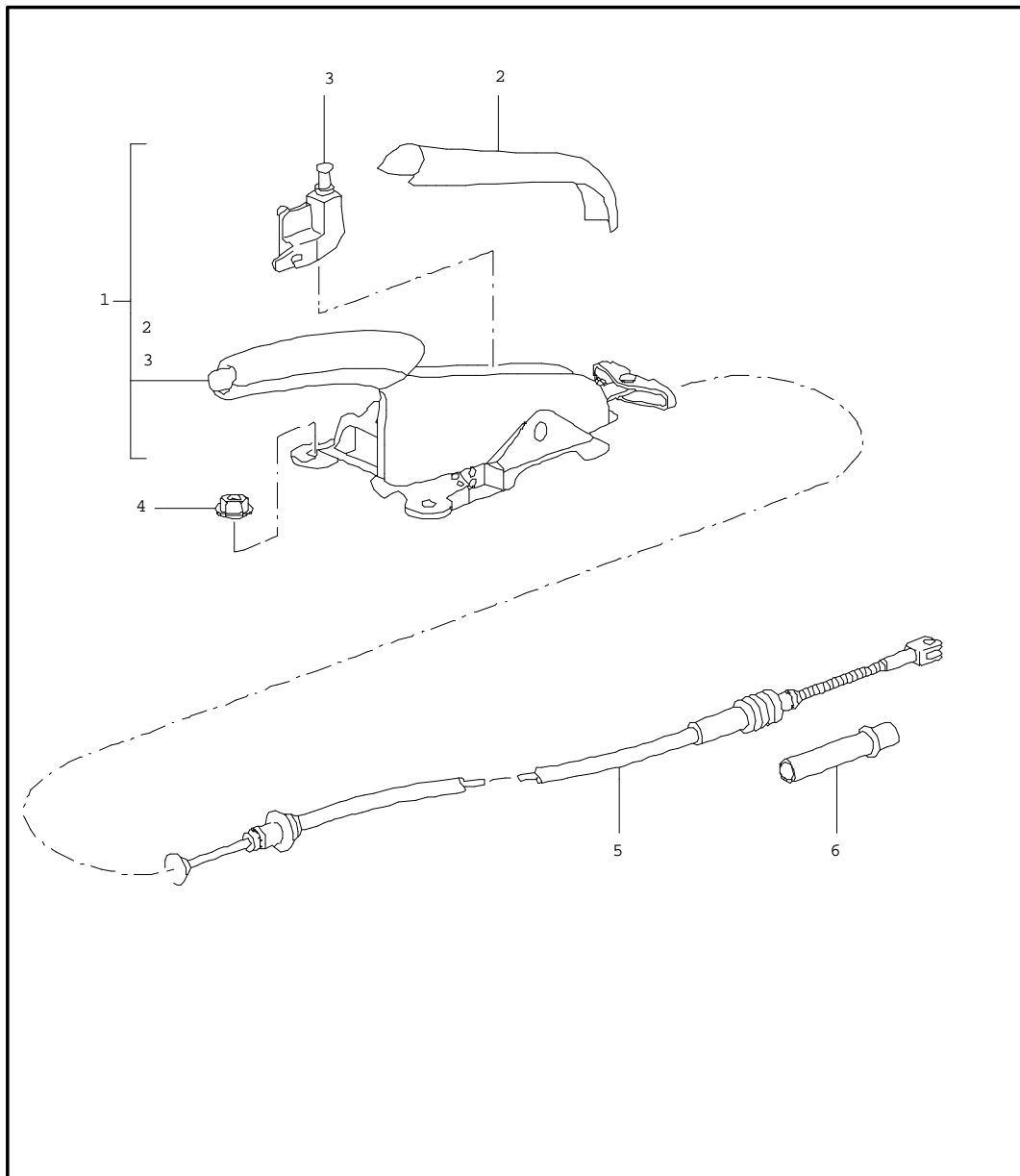
Pos	Part Number	Name	Remarks	Qty	Model	Pos	Part Number	Name	Remarks	Qty	Model
	FOZ	brown nat./brown nat.					FPJ	stone grey			
(4)	N 997 424 075 03	gearshift knob carbon shift pattern aluminium look		1	I803		FPK	sand beige			
	FPP	black					FPL	sea blue			
	FPQ	stone grey					FPM	palmgreen			
	FPR	sand beige					FQA	terracotta			
	FPS	sea blue					FQB	cocoa			
	FPT	palmgreen					FPN	dark grey/natural			
	FQC	terracotta					FPO	brown/natural			
	FQD	cocoa				-	996 424 445 00	clip for fastening part		X	
	FPU	dark grey/natural				5	997 424 165 02	support		1	
	FPV	brown/natural				6	900 378 017 09	hexagon-head bolt M 8 X 20		2	
(4)	N 997 424 075 04	gearshift knob makassar shift pattern aluminium look		1	I801	7	996 424 145 01	fastening part for cable adjustable		1	
	FPA	black				8	996 424 147 00	fastening part for cable adjustable		1	
	FPB	stone grey				9	000 043 205 93	grease 1 tube 100 g		X	
	FPC	sand beige						- - - E N D - - -			
	FPD	sea blue									
	FPE	palmgreen									
	FPY	terracotta									
	FPZ	cocoa									
	FPF	dark grey/natural									
	FPG	brown/natural									
(4)	N 997 424 075 04	gearshift knob sycamore wood shift pattern aluminium look		1	I802						
	FPH	black									

Model	Year	MG	SG	Illustration	Restrictions	Update	10:21	18.08.2004	PORSCHE	PET	PORSCHE
997	05	7	01	701-01		179					



Pos	Part Number	Name	Remarks	Qty	Model
		selector lever tiptronic			I249
(1)	997 426 011 01	selector lever with housing		1	
-	996 613 212 10	switch selector lever		1	
2	996 426 035 00	fastening part for cable adjustable		1	
3	999 084 629 09	hexagon nut M 6		4	
4	997 426 069 00	selector knob leather		1	
		8YR black			
		5X5 stone grey			
		8G1 sand beige			
		3S8 sea blue			
		4P1 palmgreen			
		9N2 terracotta			
		9Q3 cocoa			
		D11 dark grey/natural			
		T11 brown/natural			
(4) N	997 426 069 03	selector knob		1	I803
		A35 carbon			
(4) N	997 426 069 04	selector knob		1	I801
		S61 makassar			
(4) N	997 426 069 04	selector knob		1	I802
		S62 sycamore wood			
5	997 426 033 00	cable		1	
- - - E N D - - -					

Model	Year	MG	SG	Illustration	Restrictions	Update	10:21	18.08.2004	PORSCHE	PET	PORSCHE
997	05	7	01	701-05		179					



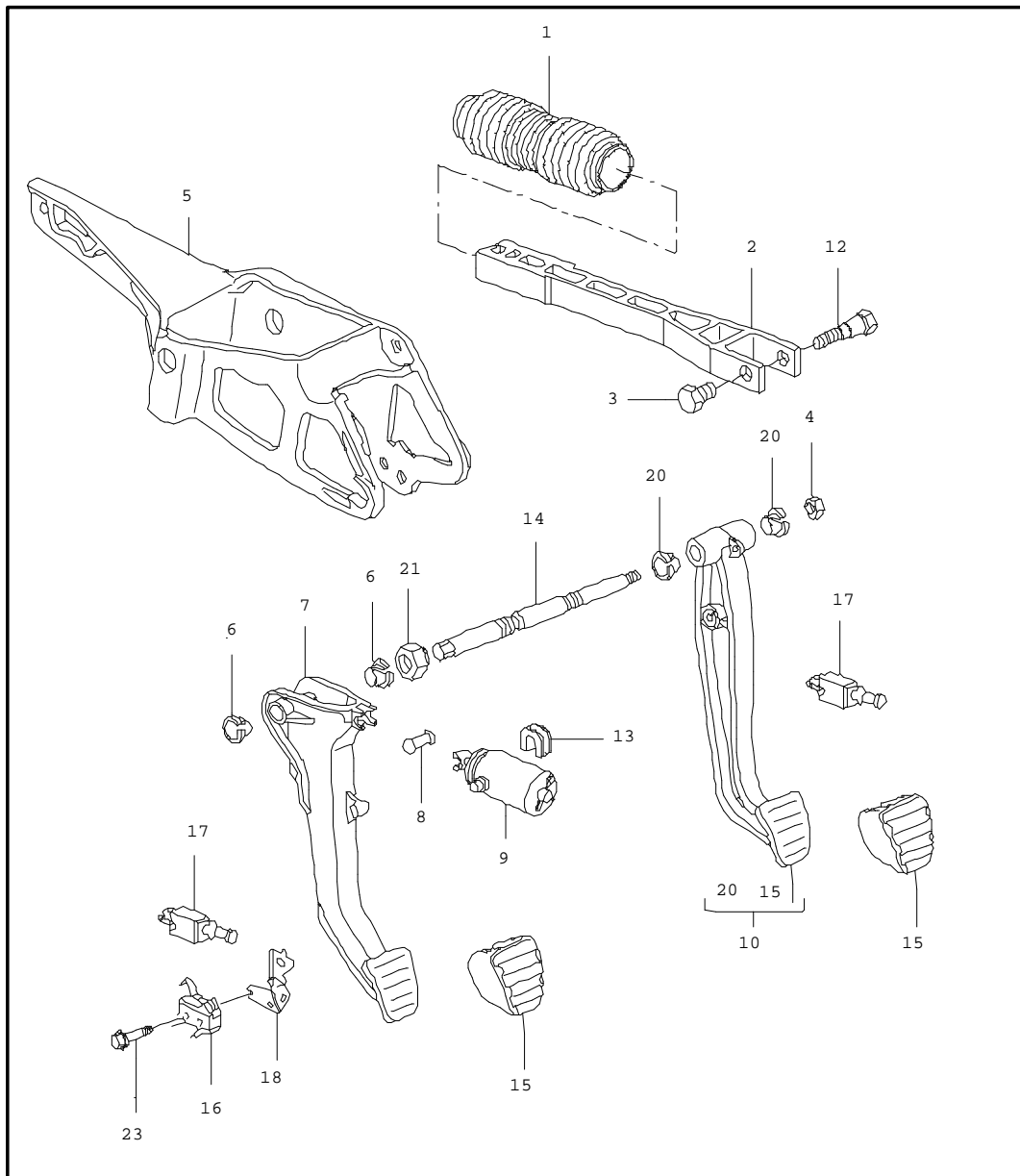
Pos	Part Number	Name	Remarks	Qty	Model
		handbrake actuator			
(1)	997 424 031 32	parking-brake lever complete leather		1	
	8YR	black			
	5X5	stone grey			
	8G1	sand beige			
	3S8	sea blue			
	4P1	palmgreen			
	9N2	terracotta			
	9Q3	cocoa			
	D11	dark grey/natural			
	T11	brown/natural			
2	997 424 155 00	cover leather		1	
	8YR	black			
	5X5	stone grey			
	8G1	sand beige			
	3S8	sea blue			
	4P1	palmgreen			
	9N2	terracotta			
	9Q3	cocoa			
	D11	dark grey/natural			
	T11	brown/natural			
3	996 613 112 01	switch		1	
4	999 084 630 09	hexagon nut M 8		4	
5	997 424 141 05	parking-brake cable		2	
6	996 424 721 02	guide tube		2	

Model	Year	MG	SG	Illustration	Restrictions	Update	10:21	18.08.2004	PORSCHE	PET	PORSCHE
997	05	7	01	701-05		179					

Pos	Part Number	Name	Remarks	Qty	Model	Pos	Part Number	Name	Remarks	Qty	Model
		- - - E N D - - -									



Model	Year	MG	SG	Illustration	Restrictions	Update	10:21	18.08.2004	PORSCHE	PET	PORSCHE
997	05	7	02	702-00		179					

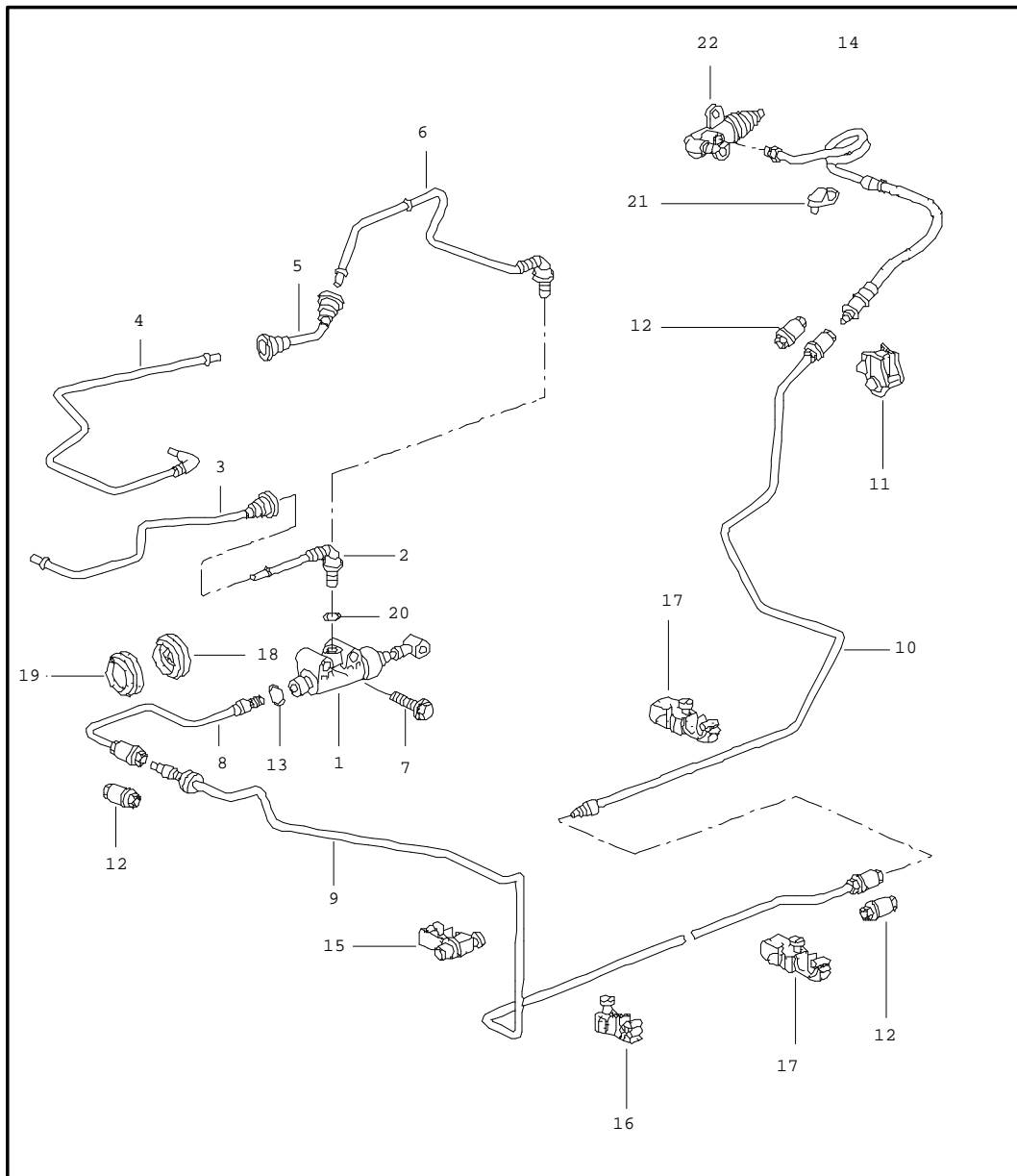


Pos	Part Number	Name	Remarks	Qty	Model
-	000 043 203 37	grease OPTITEMP LG2		X	
1	...	bellows see illustrations 6/04/00		1	
(2)	996 423 165 05	push rod		1	
3	996 423 307 00	bush		1	
4	900 380 005 09	hexagon nut M 8		3 2	
5	997 423 571 02	bracket for clutch power spring		1	I480
6	997 423 399 01	bush		2	I480
7	997 423 139 01	clutch pedal		1	I480
(8)	996 423 315 06	bolt		1	I480
-	999 166 022 02	lock for bolt		1	I480
9	997 423 081 04	clutch power spring		1	CARRERA 2
(9)	997 423 081 05	clutch power spring		1	CARRERA 2-S
(10)	997 423 091 03	brake pedal	/LL	1	I480
(10)	997 423 092 03	brake pedal	/RL	1	I480
(10)	997 423 093 03	brake pedal	/LL	1	I249
10	997 423 094 03	brake pedal	/RL	1	I249
12	996 423 308 00	bolt		1	
13	997 423 581 00	bush		1	
14	997 423 281 00	axle	/LL	1	I480
(14)	997 423 284 00	axle	/RL	1	I480
(14)	996 423 283 05	axle	/LL	1	I249
(14)	996 423 286 05	axle	/RL	1	I249

Model	Year	MG	SG	Illustration	Restrictions	Update	10:21	18.08.2004	PORSCHE	PET	PORSCHE
997	05	7	02	702-00		179					

Pos	Part Number	Name	Remarks	Qty	Model	Pos	Part Number	Name	Remarks	Qty	Model
-	996 423 277 00	sleeve brake pedal	/RL	1							
15	997 423 910 00	cap		2	I480						
(15)	997 423 912 00	cap		1	I249						
(17)	996 613 113 01	switch brake pedal		2							
(17)	996 613 114 01	switch clutch pedal		1							
18	997 423 541 00	support		1							
20	997 423 401 00	bush	/LL	2							
(20)	997 423 402 00	bush	/RL	2							
21	997 423 275 01	screw plug		1							
22	900 378 273 09	hexagon-head bolt M 6 X 18		1							
23	900 146 159 02	screw M 3 X 20		1							
24	P 997 423 695 00	plug		1							
25	N 997 423 697 00	plug		1							
		- - - E N D - - -									

Model	Year	MG	SG	Illustration	Restrictions	Update	10:22	18.08.2004	PORSCHE	PET	PORSCHE
997	05	7	02	702-08		179					

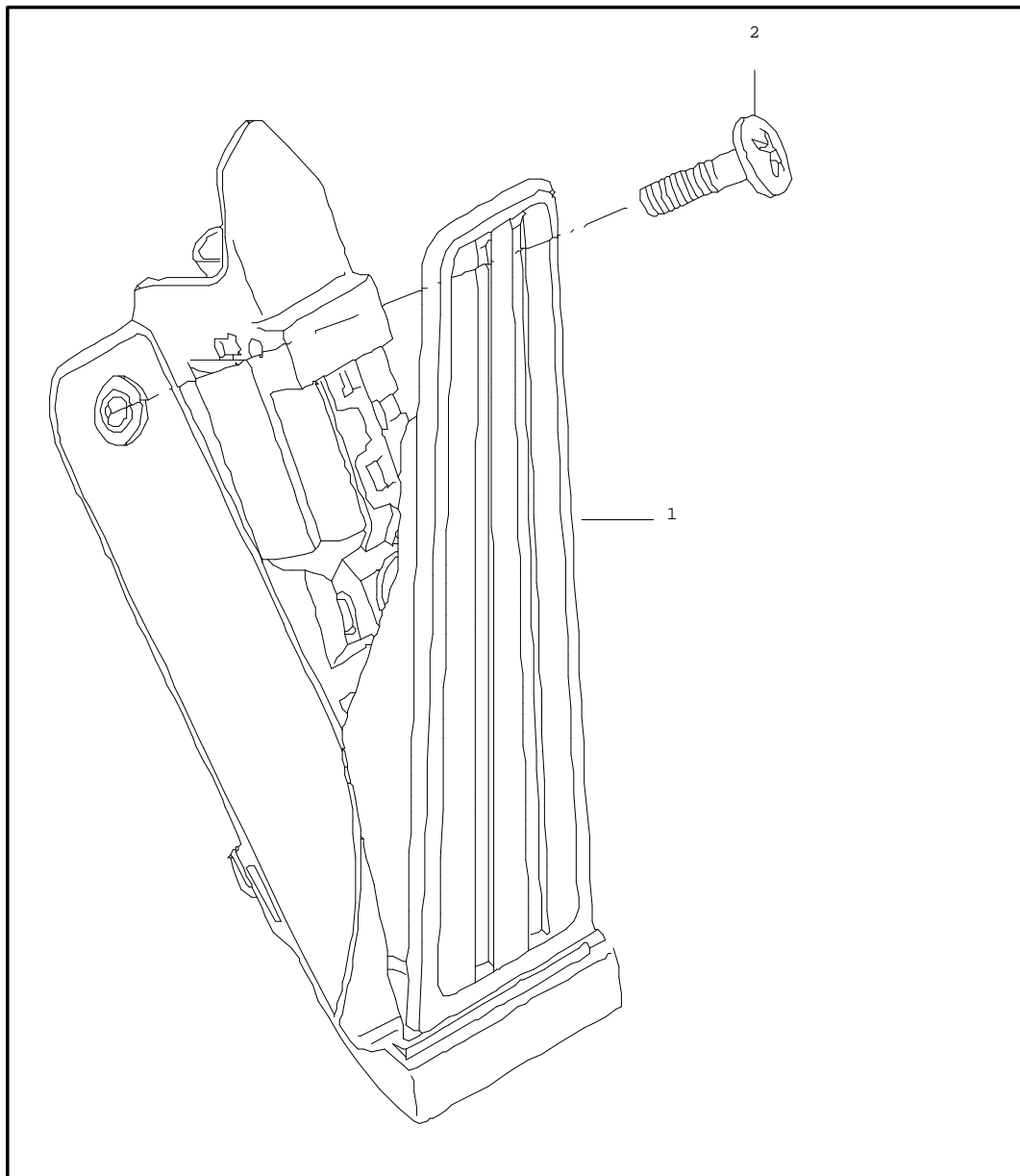


Pos	Part Number	Name	Remarks	Qty	Model
		clutch control clutch master cylinder clutch pipeline			I480
1	997 423 171 01	clutch master cylinder		1	
-	996 423 614 00	circlip pressure line		1	
-	996 423 315 06	bolt		1	
-	999 166 022 02	safety clip for bolt		1	
2	997 423 147 00	feed line	/LL	1	
3	997 423 137 00	feed line	/LL	1	
4	996 423 138 04	feed line	/RL	1	
5	996 423 140 02	feed line	/RL	1	
6	996 423 142 02	feed line	/RL	1	
7	900 378 217 09	hexagon-head bolt M 6 X 40		2	
8	996 423 107 10	clutch pipeline	/LL	1	
(8)	997 423 108 00	clutch pipeline	/RL	1	
9	997 423 109 00	clutch pipeline		1	
10	997 423 113 00	clutch pipeline		1	
11	999 507 495 40	support		1	
12	999 230 541 10	threaded joint		3	
13	999 707 333 40	sealing ring		1	
14	997 423 377 00	clutch hose		1	
15	996 355 549 00	support		1	
16	996 355 545 00	support		2	
17	996 355 543 00	support		4	
18	999 702 216 42	grommet		1	
19	999 702 217 41	grommet		1	I249

Model	Year	MG	SG	Illustration	Restrictions	Update	10:22	18.08.2004	PORSCHE	PET	PORSCHE
997	05	7	02	702-08		179					

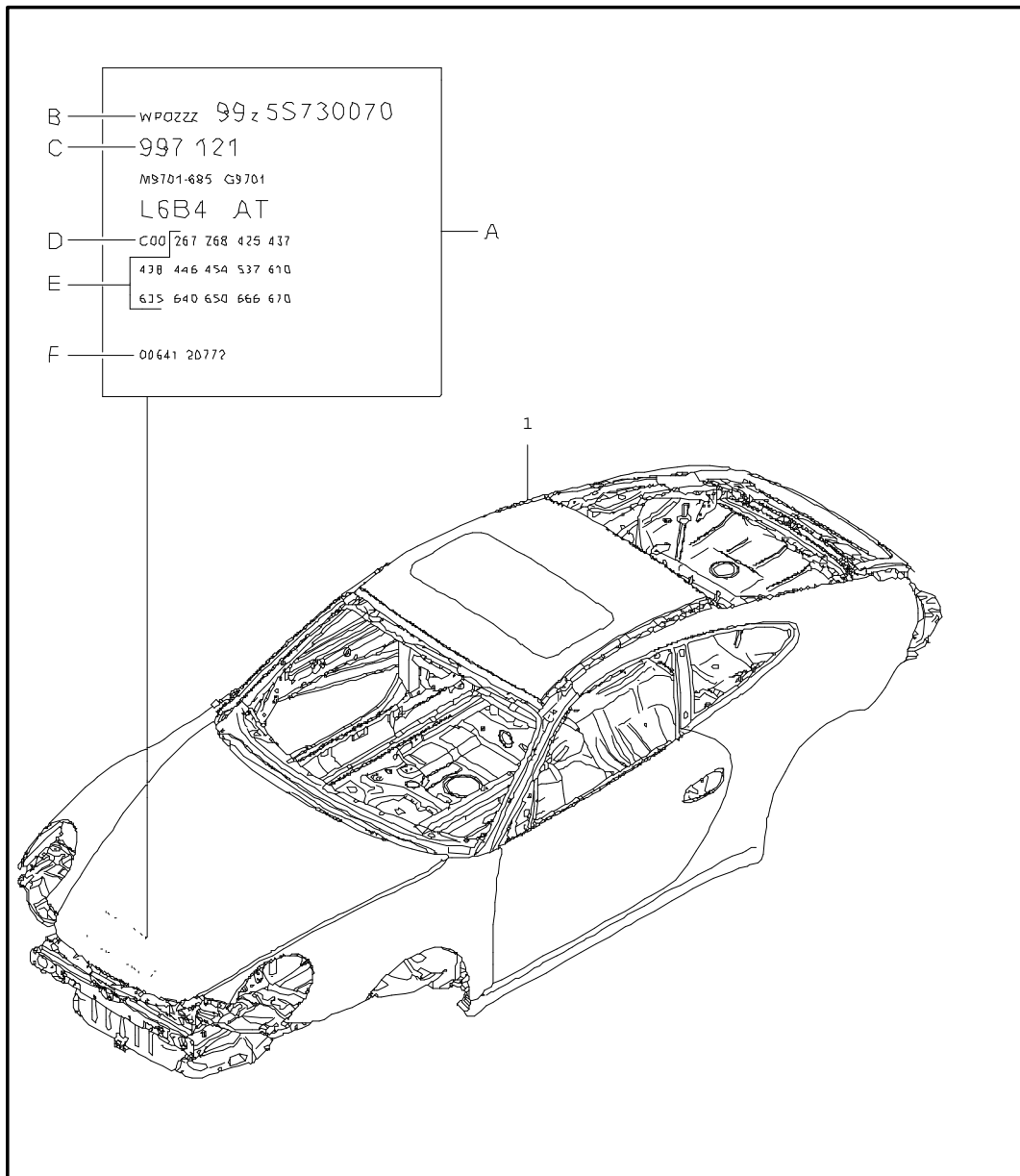
Pos	Part Number	Name	Remarks	Qty	Model	Pos	Part Number	Name	Remarks	Qty	Model
-	999 507 586 40	cable holder		1							
20	999 707 333 40	o-ring 6,07 X 1,78N		1							
21	999 507 586 40	bracket		1							
22	996 116 237 06	clutch operating cylinder		1							
-	900 075 222 09	hexagon-head bolt M 8 X 30		2							
		- - - E N D - - -									

Model	Year	MG	SG	Illustration	Restrictions	Update	10:22	18.08.2004	PORSCHE	PET	PORSCHE
997	05	7	02	702-10		179					



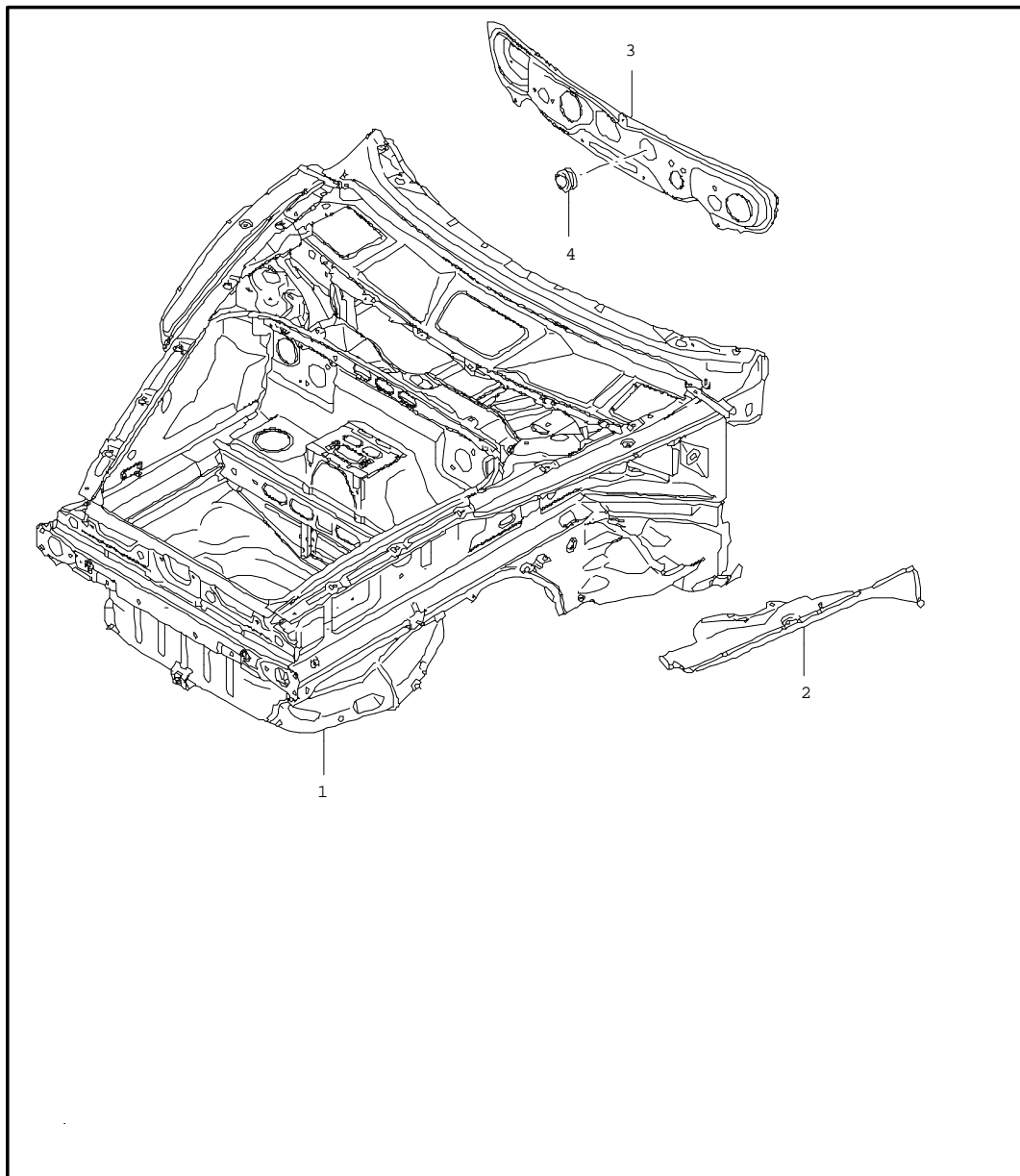
Pos	Part Number	Name	Remarks	Qty	Model
		pedals accelerator control			
1	997 423 019 02	accelerator control		1	I480
(1)	997 423 021 02	accelerator control		1	I249
2	900 146 161 09	round head screw M 6 X 20		1	
- - - E N D - - -					

Model	Year	MG	SG	Illustration	Restrictions	Update	10:22	18.08.2004	PORSCHE	PET	PORSCHE
997	05	8	01	801-00		179					



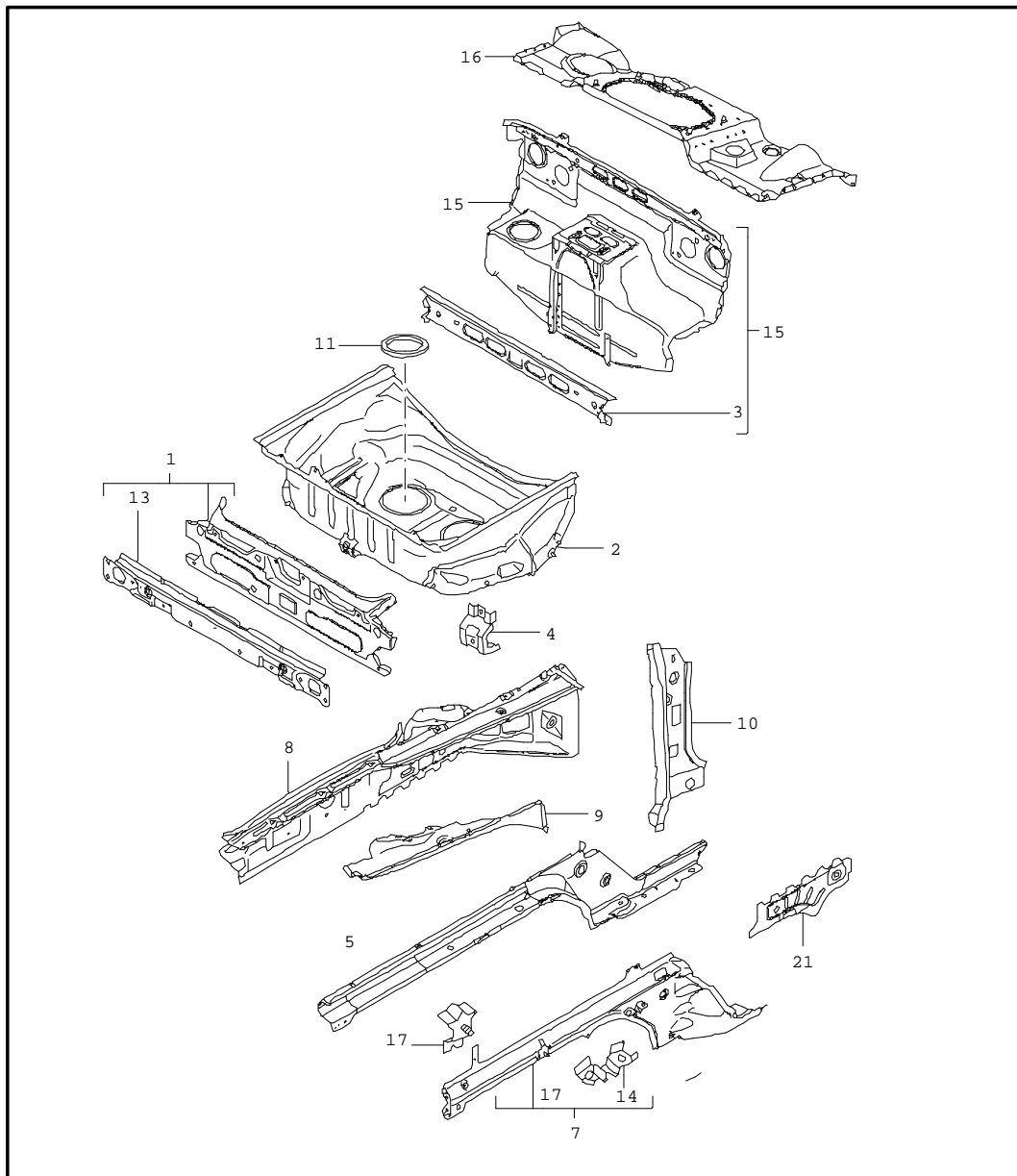
Pos	Part Number	Name	Remarks	Qty	Model
		body in white			
		prime coated			
		sealed			
		with			
		underbody protection			
		with			
		doors/lids/wings			
		bodyshells can only			
		be delivered of the			
		current model year			
		the data (b-f) that you			
		need for your order			
		please find in the data			
		vehicle data bank			
		please indicate this data			
		in your order			
A	-	data bank of the car			
B	-	vehicle identification no.			
C	-	order type			
D	-	country equipment			
E	-	optional extras			
F	-	additional applications			
1	997 500 900 00	body in white		1	
	GRV	prime coated			
		- - - E N D - - -			

Model	Year	MG	SG	Illustration	Restrictions	Update	10:22	18.08.2004	PORSCHE	PET	PORSCHE
997	05	8	01	801-05		179					



Pos	Part Number	Name	Remarks	Qty	Model
		body front section			
1	997 501 911 00	body front section		1	I338
	GRV	prime coated			
1	997 501 911 01	body front section	/LL	1	I339
	GRV	prime coated			
1	997 501 911 02	body front section	/RL	1	I339
	GRV	prime coated			
		use also:			
2	997 501 443 00	bottom half	/L	1	
	GRV	prime coated			
(2)	997 501 544 00	bottom half	/R	1	
	GRV	prime coated			
3 A	997 504 121 00	cover	/LL	1	
(3)	997 504 121 01	cover	/RL	1	
4	999 702 255 40	cover 61,5 X 72,6		1	
- - - E N D - - -					

Model	Year	MG	SG	Illustration	Restrictions	Update	10:22	18.08.2004	PORSCHE	PET	PORSCHE
997	05	8	01	801-10		179					



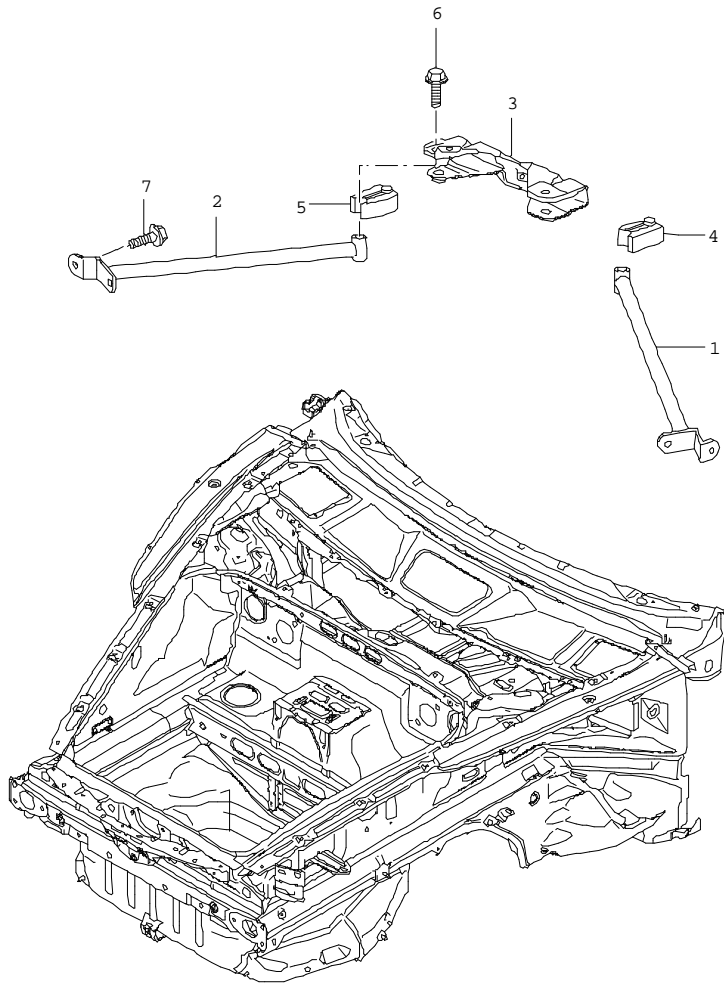
Pos	Part Number	Name	Remarks	Qty	Model
		body front section single parts			
1	997 501 231 00	terminal piece		1	
	GRV	prime coated			
2	997 501 979 00	spare-wheel well		1	
	GRV	prime coated			
3	997 501 649 00	cross member		1	
	GRV	prime coated			
4	996 501 621 00	support		3	
	GRV	prime coated			
5	997 501 305 01	side member	/L	1	
	GRV	prime coated			
(5)	997 501 306 01	side member	/R	1	
	GRV	prime coated			
7	997 501 915 00	side member	/L	1	
	GRV	prime coated			
(7)	997 501 916 00	side member	/R	1	
	GRV	prime coated			
8	997 501 935 00	wheel housing	/L	1	
	GRV	prime coated			
(8)	997 501 936 01	wheel housing	/R	1	
	GRV	prime coated			
9	997 501 443 00	bottom half	/L	1	
	GRV	prime coated			
(9)	997 501 544 00	bottom half	/R	1	
	GRV	prime coated			
10	997 501 937 00	hinge pillar	/L	1	
	GRV	prime coated			



Model	Year	MG	SG	Illustration	Restrictions	Update	10:22	18.08.2004	PORSCHE	PET	PORSCHE
997	05	8	01	801-10		179					

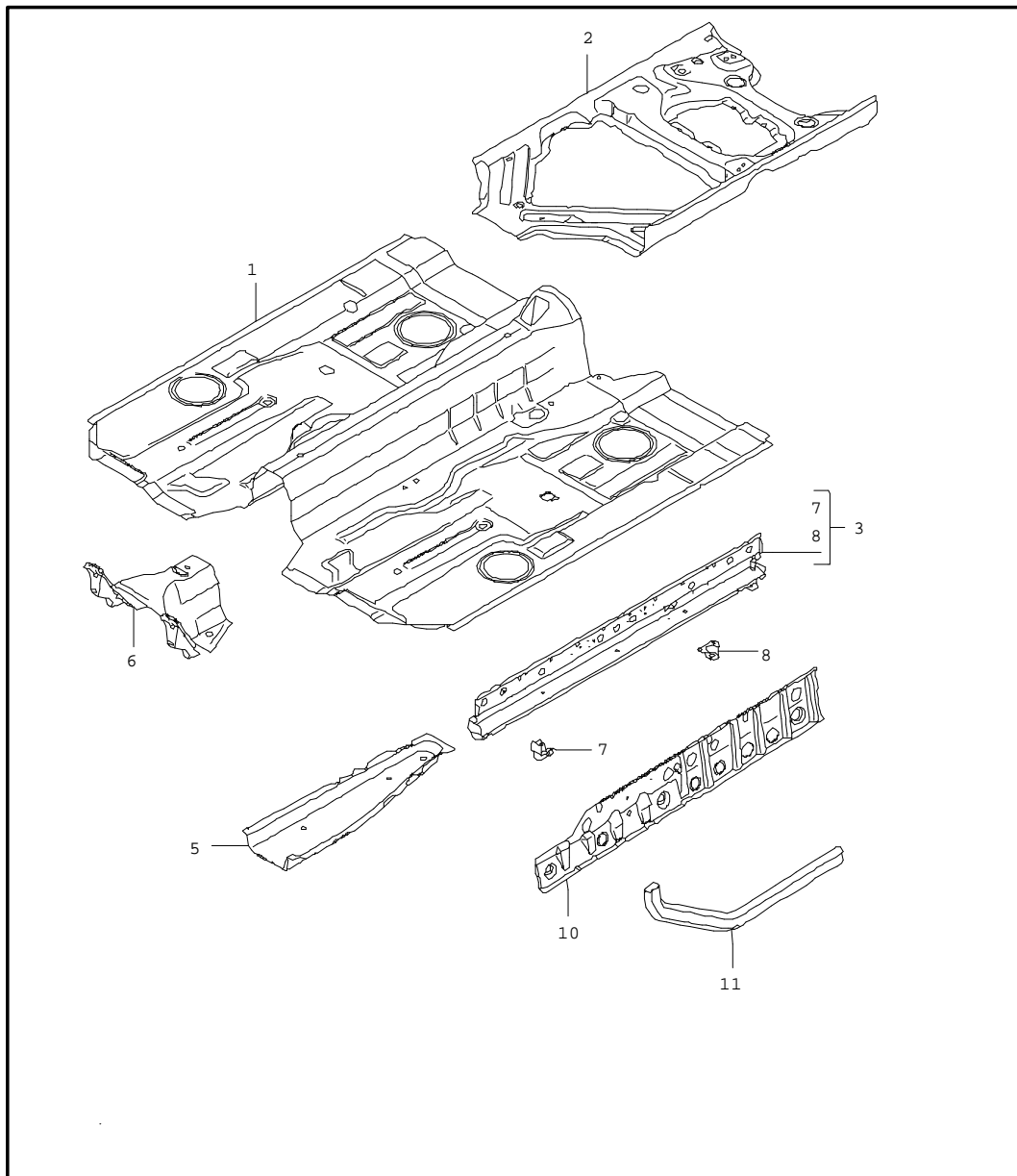
Pos	Part Number	Name	Remarks	Qty	Model	Pos	Part Number	Name	Remarks	Qty	Model
(10)	997 501 938 00	hinge pillar	/R	1							
	GRV	prime coated									
11	996 504 201 01	cover		2							
		\$ 145 MM									
13	997 501 301 00	cross member		1							
	GRV	prime coated									
14	996 501 815 02	support		2							
	GRV	prime coated									
15	997 502 021 00	bulkhead		1							
	GRV	prime coated									
16	997 502 017 01	cross panel		1							
	GRV	prime coated									
17	996 501 341 00	support		2							
	GRV	prime coated									
21	997 501 665 01	separator	/L	1							
	GRV	prime coated									
(21)	997 501 666 01	separator	/R	1							
	GRV	prime coated									
		- - - E N D - - -									

Model	Year	MG	SG	Illustration	Restrictions	Update	10:23	18.08.2004	PORSCHE	PET	PORSCHE
997	05	8	01	801-15		179					



Pos	Part Number	Name	Remarks	Qty	Model
		dome strut			
1	996 504 233 01	dome strut	/L	1	
2	996 504 234 01	dome strut	/R	1	
3	996 504 359 00	bracket		1	
4	996 504 633 00	filler piece	/L	1	
5	996 504 634 00	filler piece	/R	1	
6	900 378 100 09	hexagon-head bolt AM 10 X 45		2	
7	900 075 010 09	screw M 6 X 12		4	
- - - E N D - - -					

Model	Year	MG	SG	Illustration	Restrictions	Update	10:23	18.08.2004	PORSCHE	PET	PORSCHE
997	05	8	01	801-20		179					

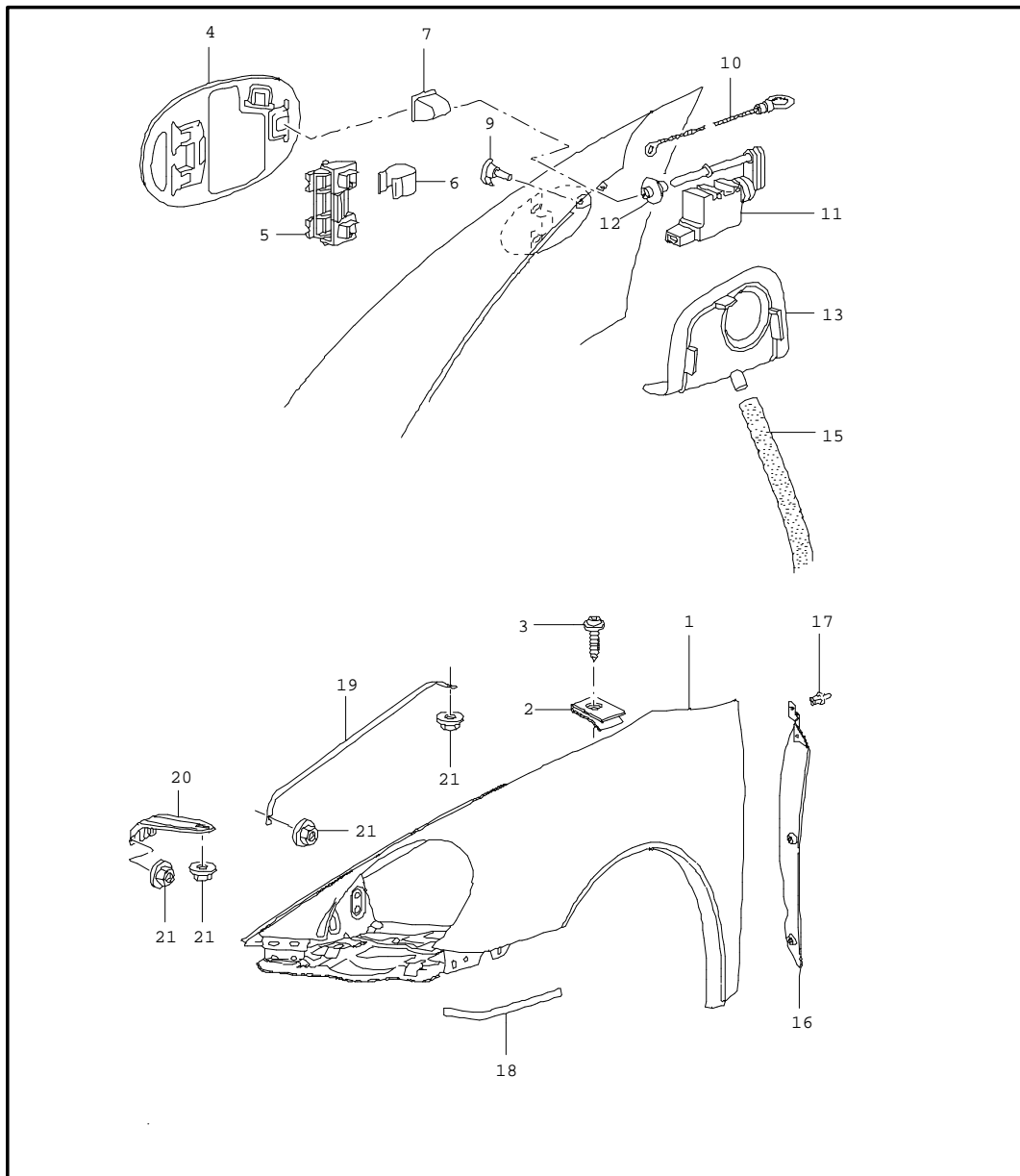


Pos	Part Number	Name	Remarks	Qty	Model
		floor centre			
1	997 501 551 00	floor		1	
	GRV	prime coated			
2	997 501 153 01	seat support	/L	1	
	GRV	prime coated			
(2)	997 501 154 01	seat support	/R	1	
	GRV	prime coated			
3	997 501 157 00	side member	/L	1	
	GRV	prime coated			
(3)	997 501 158 00	side member	/R	1	
	GRV	prime coated			
5	997 501 525 00	extension	/L	1	
	GRV	prime coated			
(5)	997 501 526 00	extension	/R	1	
	GRV	prime coated			
6	996 501 751 00	extension		1	
	GRV	prime coated			
7	996 501 785 00	jacking point	/L/V	1	
	GRV	prime coated			
(7)	996 501 786 00	jacking point	/R/V	1	
	GRV	prime coated			
8	996 501 481 01	jacking point	/L/H	1	
	GRV	prime coated			
(8)	996 501 482 01	jacking point	/R/H	1	
	GRV	prime coated			
10	997 501 329 00	retaining bracket	/L	1	
	GRV	prime coated			

Model	Year	MG	SG	Illustration	Restrictions	Update	10:23	18.08.2004	PORSCHE	PET	PORSCHE
997	05	8	01	801-20		179					

Pos	Part Number	Name	Remarks	Qty	Model	Pos	Part Number	Name	Remarks	Qty	Model
(10)	997 501 330 00	retaining bracket	/R	1							
	GRV	prime coated									
11	997 501 439 00	support tube		2							
	GRV	prime coated									
		- - - E N D - - -									

Model	Year	MG	SG	Illustration	Restrictions	Update	10:23	18.08.2004	PORSCHE	PET	PORSCHE
997	05	8	01	801-40		179					

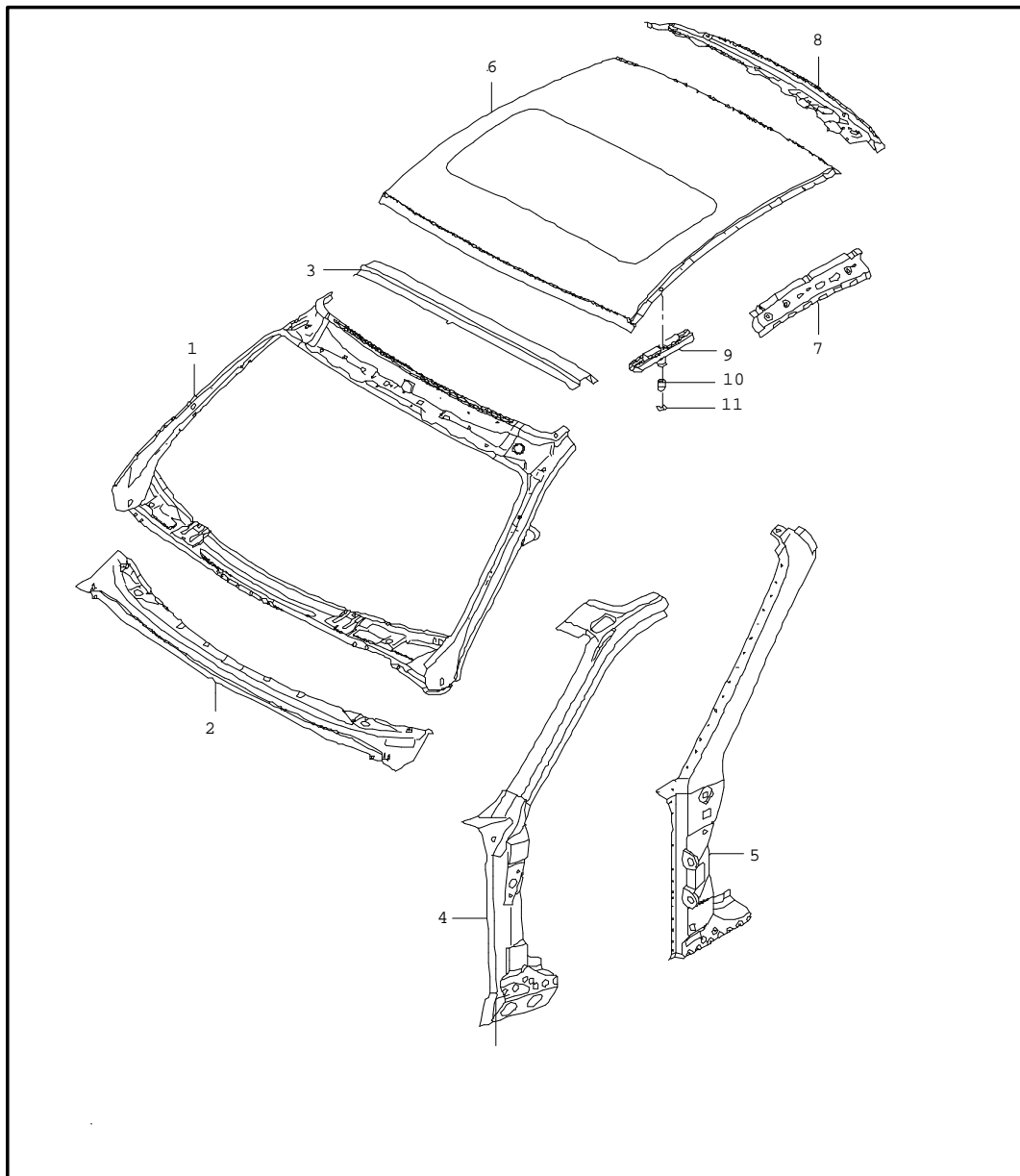


Pos	Part Number	Name	Remarks	Qty	Model
1	997 503 031 00	wing	/L	1	
	GRV	prime coated			
(1)	997 503 032 00	wing	/R	1	
	GRV	prime coated			
2	999 507 003 02	speed nut ST 6,3		22	
3	999 073 128 02	tapping screw ST 6,3 X 14		22	
4	997 504 134 00	fuel filler flap		1	
	GRV	prime coated			
5	996 201 063 00	hinge		1	
6	996 201 413 01	spring		1	
7	996 201 423 00	cap		1	
9	997 504 888 01	rubber stop		1	
10	996 201 493 00	emergency operation		1	
11	997 624 113 00	actuator		1	
12	996 624 505 02	guide rose		1	
13	996 201 667 01	sleeve		1	
15	996 201 153 00	hose		1	
16	997 504 641 01	cover	/L	1	
	01C	black			
(16)	997 504 642 01	cover	/R	1	
	01C	black			
17	999 591 712 40	expansion rivet A 6,0 X 12,0		6	
18	997 504 531 00	protective film	/L	1	
(18)	997 504 532 00	protective film	/R	1	
19	997 504 441 00	strut		2	

Model	Year	MG	SG	Illustration	Restrictions	Update	10:23	18.08.2004	PORSCHE	PET	PORSCHE
997	05	8	01	801-40		179					

Pos	Part Number	Name	Remarks	Qty	Model	Pos	Part Number	Name	Remarks	Qty	Model
		GRV prime coated									
20	997 504 555 00	bracket		2							
		GRV prime coated									
21	900 377 010 09	nut		X							
		M 6									
		- - - E N D - - -									

Model	Year	MG	SG	Illustration	Restrictions	Update	10:23	18.08.2004	PORSCHE	PET	PORSCHE
997	05	8	01	801-45		179					



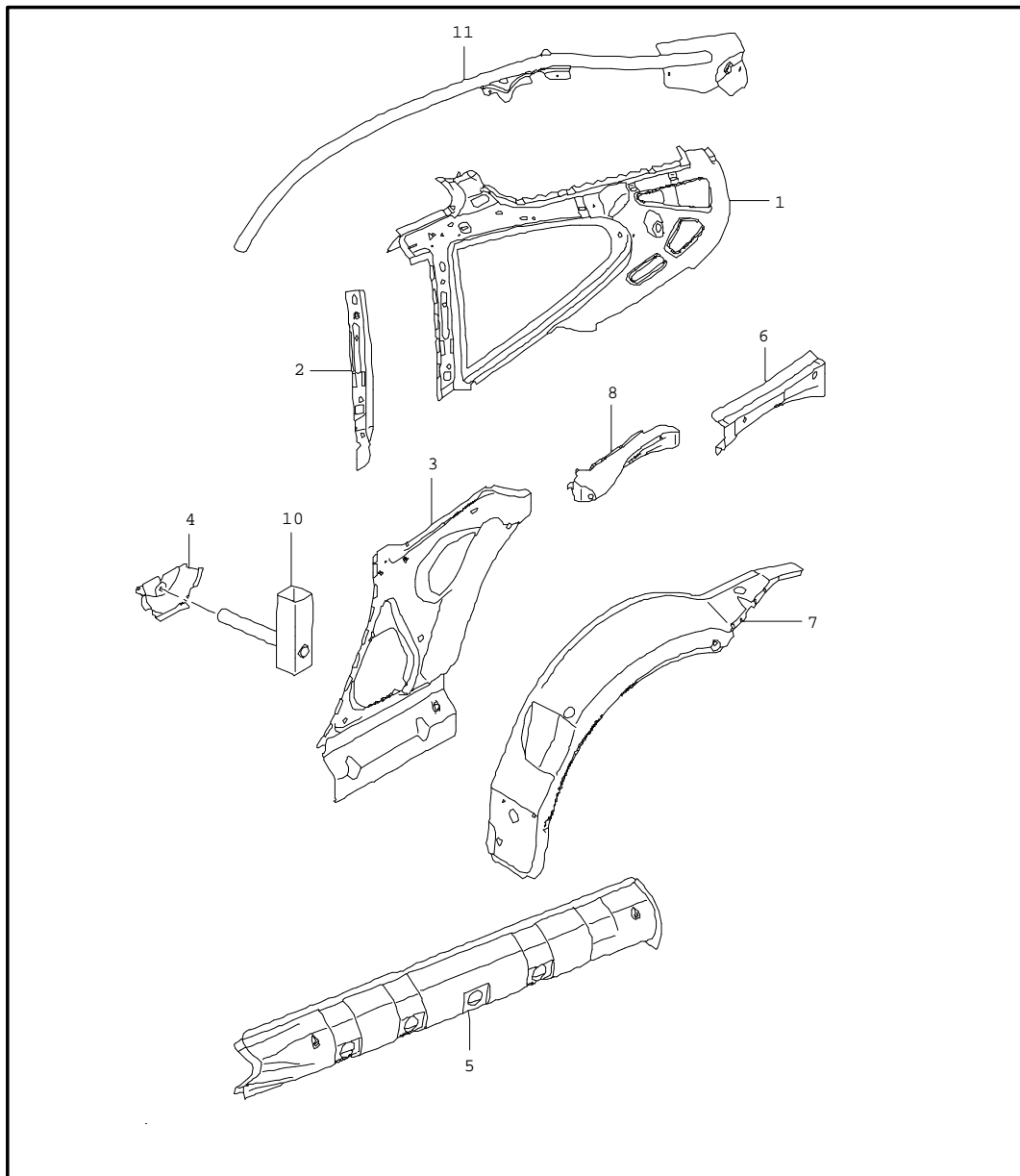
Pos	Part Number	Name	Remarks	Qty	Model
1	997 502 137 00	cowl		1	COUPE
	GRV	prime coated inner			
(1)	997 502 137 01	cowl		1	CABRIO
	GRV	prime coated inner			
2	997 502 437 00	cowl		1	
	GRV	prime coated outer			
3	996 502 529 00	cowl		1	CABRIO
	GRV	prime coated outer			
4	997 502 135 00	reinforcement	/L	1	COUPE
	GRV	prime coated inner			
(4)	997 502 136 00	reinforcement	/R	1	COUPE
	GRV	prime coated inner			
(4)	997 502 135 01	reinforcement	/L	1	CABRIO
	GRV	prime coated inner			
(4)	997 502 136 01	reinforcement	/R	1	CABRIO
	GRV	prime coated inner			
5	997 502 335 00	hinge pillar	/L	1	CABRIO
	GRV	prime coated			
(5)	997 502 336 00	hinge pillar	/R	1	CABRIO
	GRV	prime coated			
(6)	997 503 501 00	outer roof panel		1	
	GRV	prime coated			

Model	Year	MG	SG	Illustration	Restrictions	Update	10:23	18.08.2004	PORSCHE	PET	PORSCHE
997	05	8	01	801-45		179					

Pos	Part Number	Name	Remarks	Qty	Model	Pos	Part Number	Name	Remarks	Qty	Model
6	996 503 087 03	outer roof panel		1	M 650						
	GRV	prime coated									
7	996 502 305 03	roof frame	/L	1	COUPE						
	GRV	prime coated									
(7)	996 502 306 03	roof frame	/R	1	COUPE						
	GRV	prime coated									
8	996 502 505 01	roof frame		1							
	GRV	prime coated									
9	996 504 911 00	plate with threaded pin		X							
10	996 504 505 00	threaded bush		X							
11	900 025 008 09	washer A 10,5		X							
		- - - E N D - - -									



Model	Year	MG	SG	Illustration	Restrictions	Update	10:24	18.08.2004	PORSCHE	PET	PORSCHE
997	05	8	01	801-50		179					

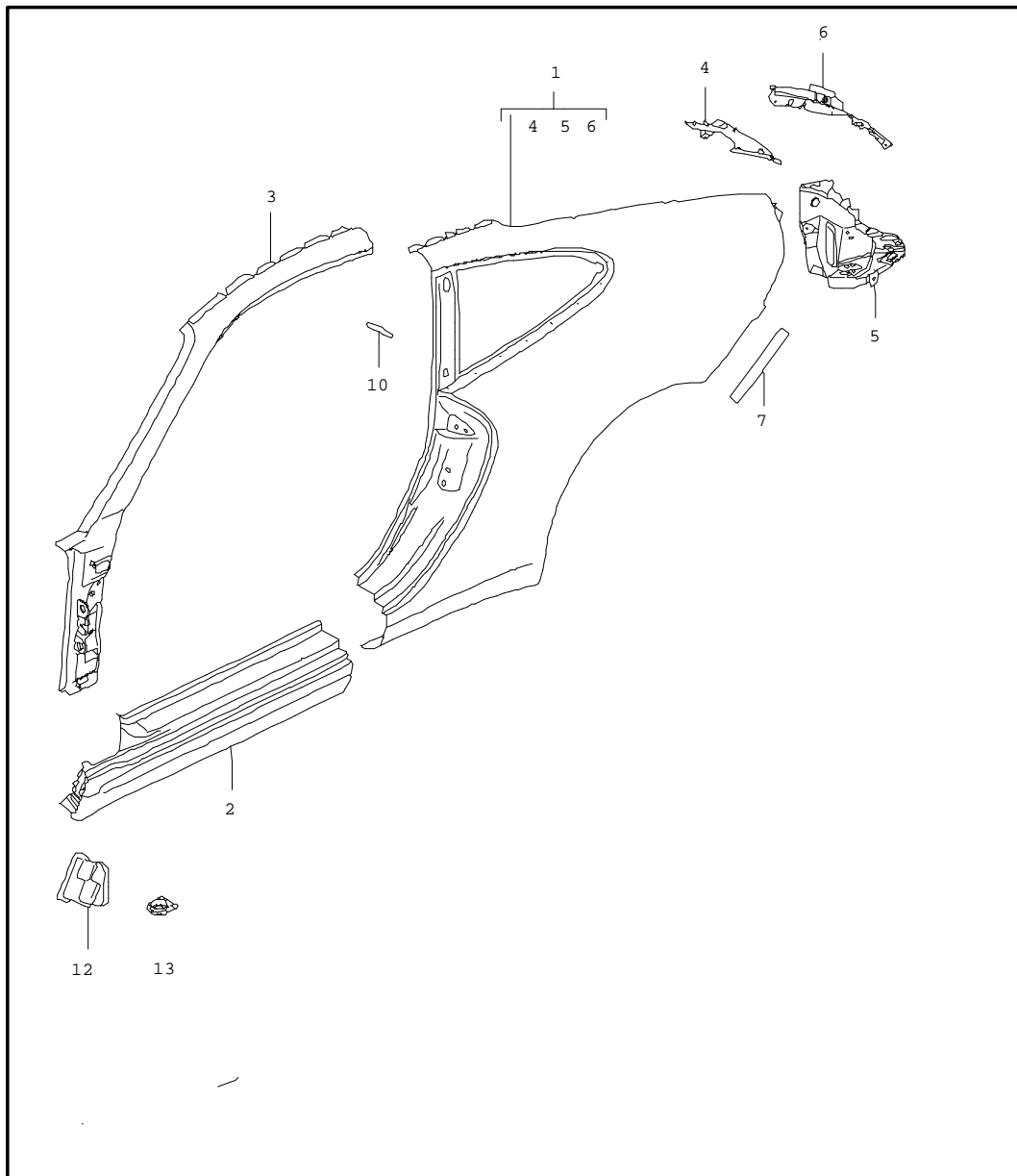


Pos	Part Number	Name	Remarks	Qty	Model
		side section inner			
1	997 502 153 00	side section	/L	1	
	GRV	prime coated			
(1)	997 502 154 00	side section	/R	1	
	GRV	prime coated			
2	997 502 423 00	reinforcement	/L	1	
	GRV	prime coated			
(2)	997 502 424 00	reinforcement	/R	1	
	GRV	prime coated			
3	996 502 083 02	side section	/L	1	
	GRV	prime coated			
(3)	996 502 084 02	side section	/R	1	
	GRV	prime coated			
4	996 502 383 01	bracket		2	
	GRV	prime coated			
5	996 502 733 01	reinforcement	/L	1	
	GRV	prime coated			
(5)	996 502 734 01	reinforcement	/R	1	
	GRV	prime coated			
6	997 502 115 00	side section	/L	1	
	GRV	prime coated			
(6)	997 502 116 00	side section	/R	1	
	GRV	prime coated			
7	997 502 215 00	wheel housing	/L	1	
	GRV	prime coated			
(7)	997 502 216 00	wheel housing	/R	1	
	GRV	prime coated			

Model	Year	MG	SG	Illustration	Restrictions	Update	10:24	18.08.2004	PORSCHE	PET	PORSCHE
997	05	8	01	801-50		179					

Pos	Part Number	Name	Remarks	Qty	Model	Pos	Part Number	Name	Remarks	Qty	Model
8	997 502 161 00	side section	/L	1							
	GRV	prime coated									
(8)	997 502 162 00	side section	/R	1							
	GRV	prime coated									
10	996 502 617 00	pipe		2							
	GRV	prime coated									
11	997 502 619 00	pipe	/L	1							
	GRV	prime coated									
(11)	997 502 620 00	pipe	/R	1							
	GRV	prime coated									
		- - - E N D - - -									

Model	Year	MG	SG	Illustration	Restrictions	Update	10:24	18.08.2004	PORSCHE	PET	PORSCHE
997	05	8	01	801-55		179					

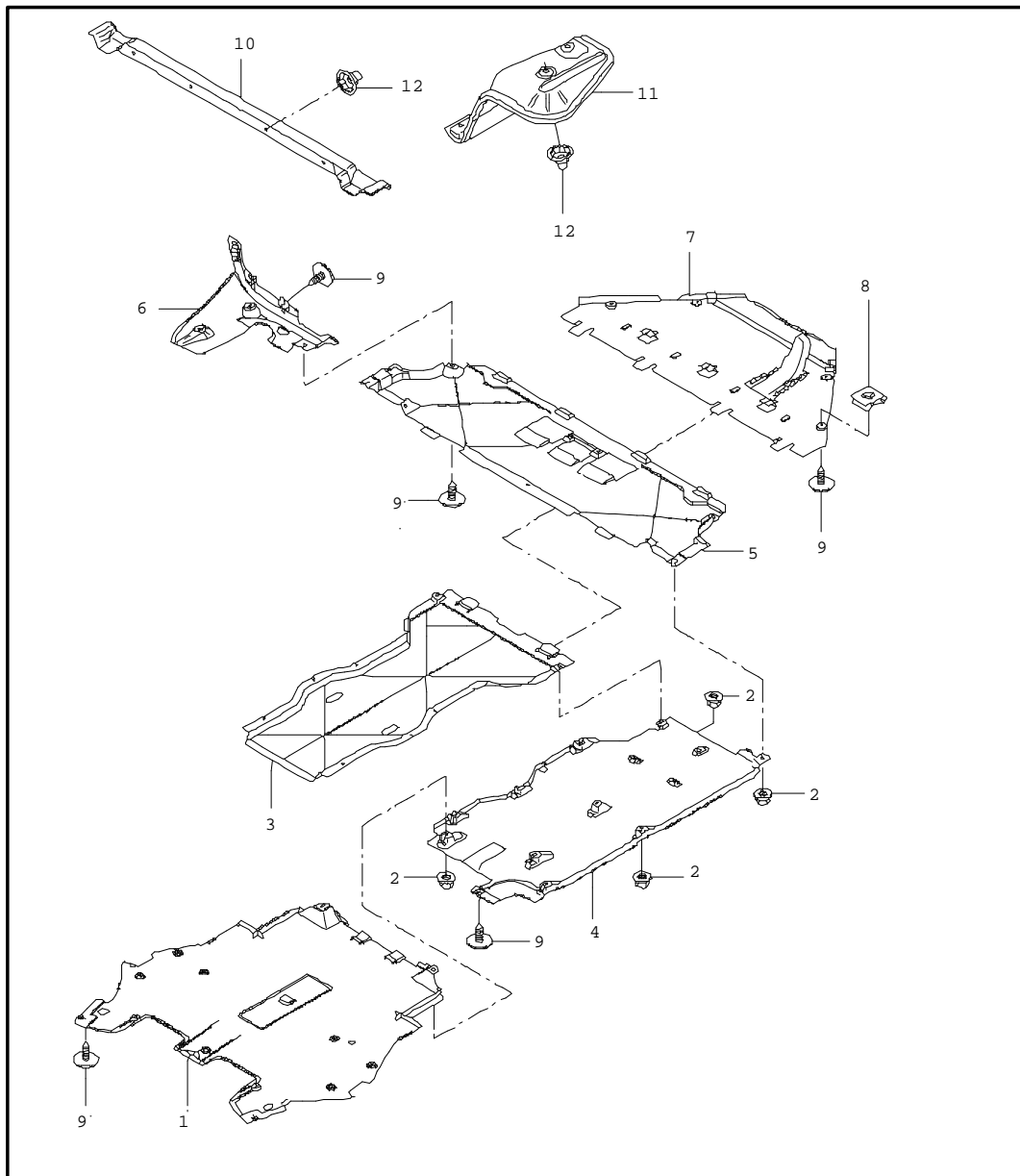


Pos	Part Number	Name	Remarks	Qty	Model
		side section outer			COUPE
1	997 503 961 00	side section	/L	1	
	GRV	prime coated			
(1)	997 503 962 00	side section	/R	1	
	GRV	prime coated			
		use also:			
-	999 915 650 40	adhesive TEROMIX 6700 see workshop manual		X	
2	997 503 963 00	door sill	/L	1	
	GRV	prime coated			
(2)	997 503 964 00	door sill	/R	1	
	GRV	prime coated			
3	997 503 965 00	roof frame	/L	1	
	GRV	prime coated			
(3)	997 503 966 00	roof frame	/R	1	
	GRV	prime coated			
4	997 502 365 00	sealing channel	/L	1	
	GRV	prime coated			
(4)	997 502 366 00	sealing channel	/R	1	
	GRV	prime coated			
5	997 502 461 00	frame for light	/L	1	
	GRV	prime coated			
(5)	997 502 462 00	frame for light	/R	1	
	GRV	prime coated			
6	997 502 213 00	bracket	/L	1	
	GRV	prime coated			
(6)	997 502 214 00	bracket	/R	1	

Model	Year	MG	SG	Illustration	Restrictions	Update	10:24	18.08.2004	PORSCHE	PET	PORSCHE
997	05	8	01	801-55		179					

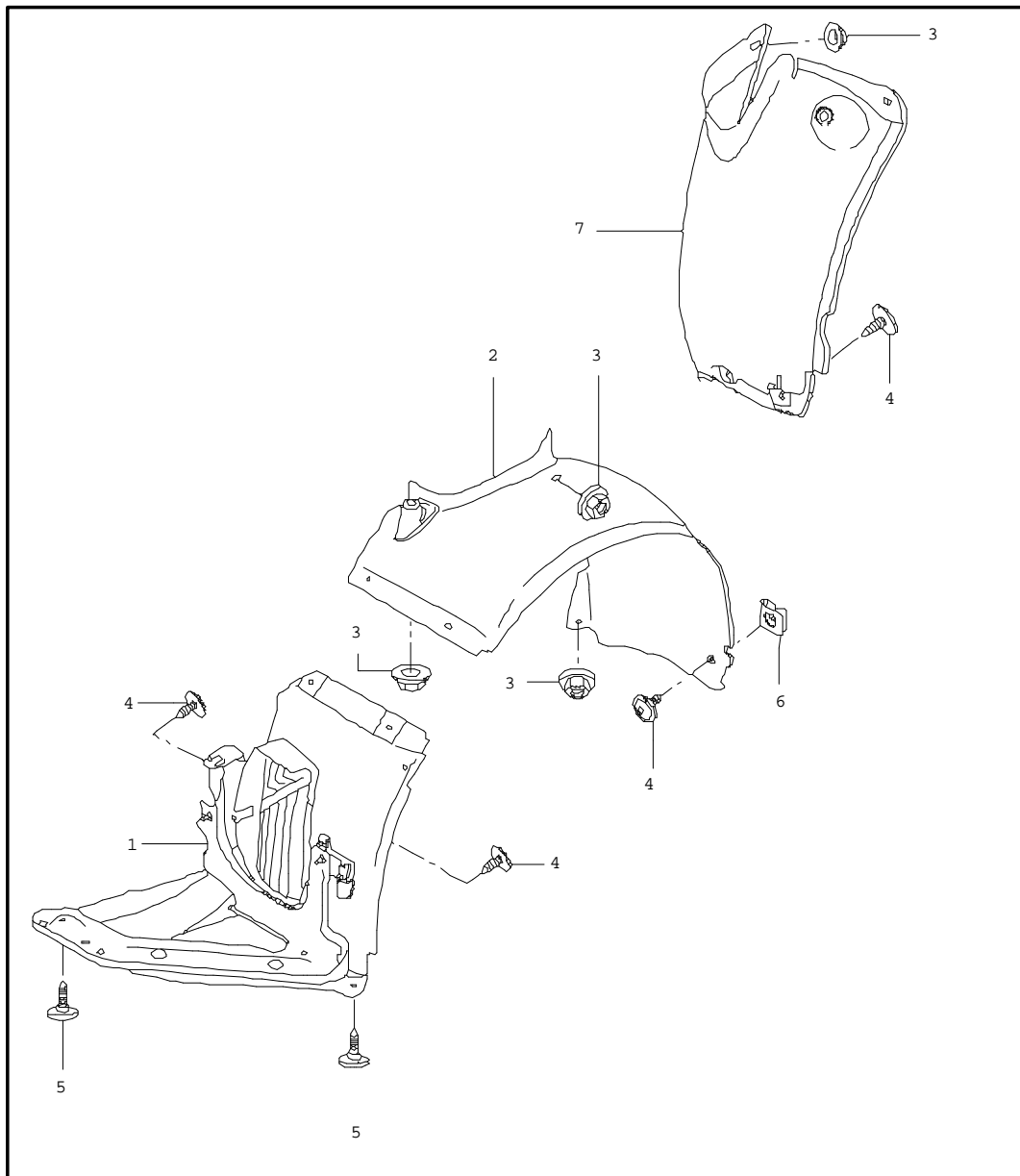
Pos	Part Number	Name	Remarks	Qty	Model	Pos	Part Number	Name	Remarks	Qty	Model
	GRV	prime coated									
7	997 504 631 00	protective film		2							
8	997 504 907 00	gasket see workshop manual		2							
9	997 501 487 00	reinforcement	/L	1							
	GRV	prime coated									
(9)	997 501 488 00	reinforcement	/R	1							
	GRV	prime coated									
10	996 537 237 00	protective film		2							
12	997 572 311 00	water protection	/L	1							
(12)	997 572 312 00	water protection	/R	1							
13	999 703 475 40	drain tube door sill		2							
		- - - E N D - - -									

Model	Year	MG	SG	Illustration	Restrictions	Update	10:24	18.08.2004	PORSCHE	PET	PORSCHE
997	05	8	01	801-70		179					



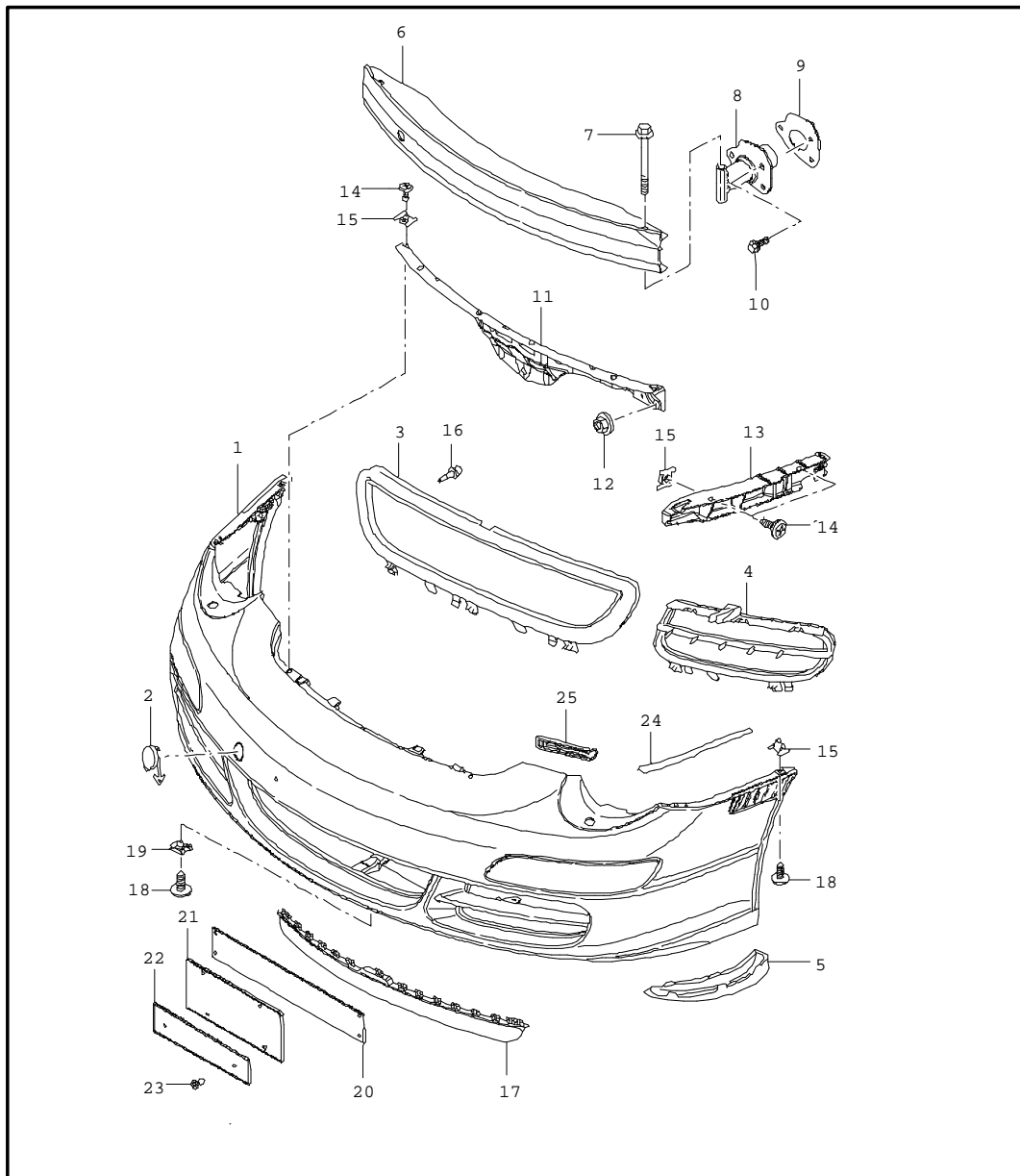
Pos	Part Number	Name	Remarks	Qty	Model
		linings underbody			
1	997 504 527 02	cover front		1	
2	999 049 028 40	plastic nut T 5		26	
3	997 504 043 00	cover centre		1	
4	997 504 343 00	cover centre	/L	1	
(4)	997 504 344 00	cover centre	/R	1	
5	997 504 629 00	cover rear		1	I480
(5)	997 504 629 01	cover rear		1	I249
6	997 504 393 00	cover	/L	1	
	01C	satin black			
(6)	997 504 394 00	cover	/R	1	
	01C	satin black			
7	997 504 429 00	cover transmission		1	I480
8	999 507 795 09	speed nut ST 4,8		4	
9	999 073 231 09	tapping screw ST 4,8 X 16		X	
10	996 505 471 00	heat protection centre		1	
11	997 505 477 00	heat protection	/L	1	
(11)	997 505 478 00	heat protection	/R	1	
12	999 049 025 09	collar nut T 5		12	
- - - E N D - - -					

Model	Year	MG	SG	Illustration	Restrictions	Update	10:24	18.08.2004	PORSCHE	PET	PORSCHE
997	05	8	01	801-75		179					



Pos	Part Number	Name	Remarks	Qty	Model
		linings wheel housing			
1	997 504 123 00	wheel-housing liner front	/V/V	1	
(1)	997 504 124 00	wheel-housing liner front	/V/V	1	
2	997 504 203 00	wheel-housing liner front	/V/H	1	
(2)	997 504 204 00	wheel-housing liner front	/V/H	1	
3	999 049 028 40	plastic nut T5		12	
4	999 073 231 09	tapping screw ST 4,8 X 16		18	
5	999 073 227 09	tapping screw ST 4,8 X 19		4	
6	999 507 795 09	speed nut ST 4,8		2	
7	997 504 573 00	wheel-housing liner	/H/L	1	
(7)	997 504 574 00	wheel-housing liner	/H/R	1	
- - - E N D - - -					

Model	Year	MG	SG	Illustration	Restrictions	Update	10:24	18.08.2004	PORSCHE	PET	PORSCHE
997	05	8	02	802-00		179					



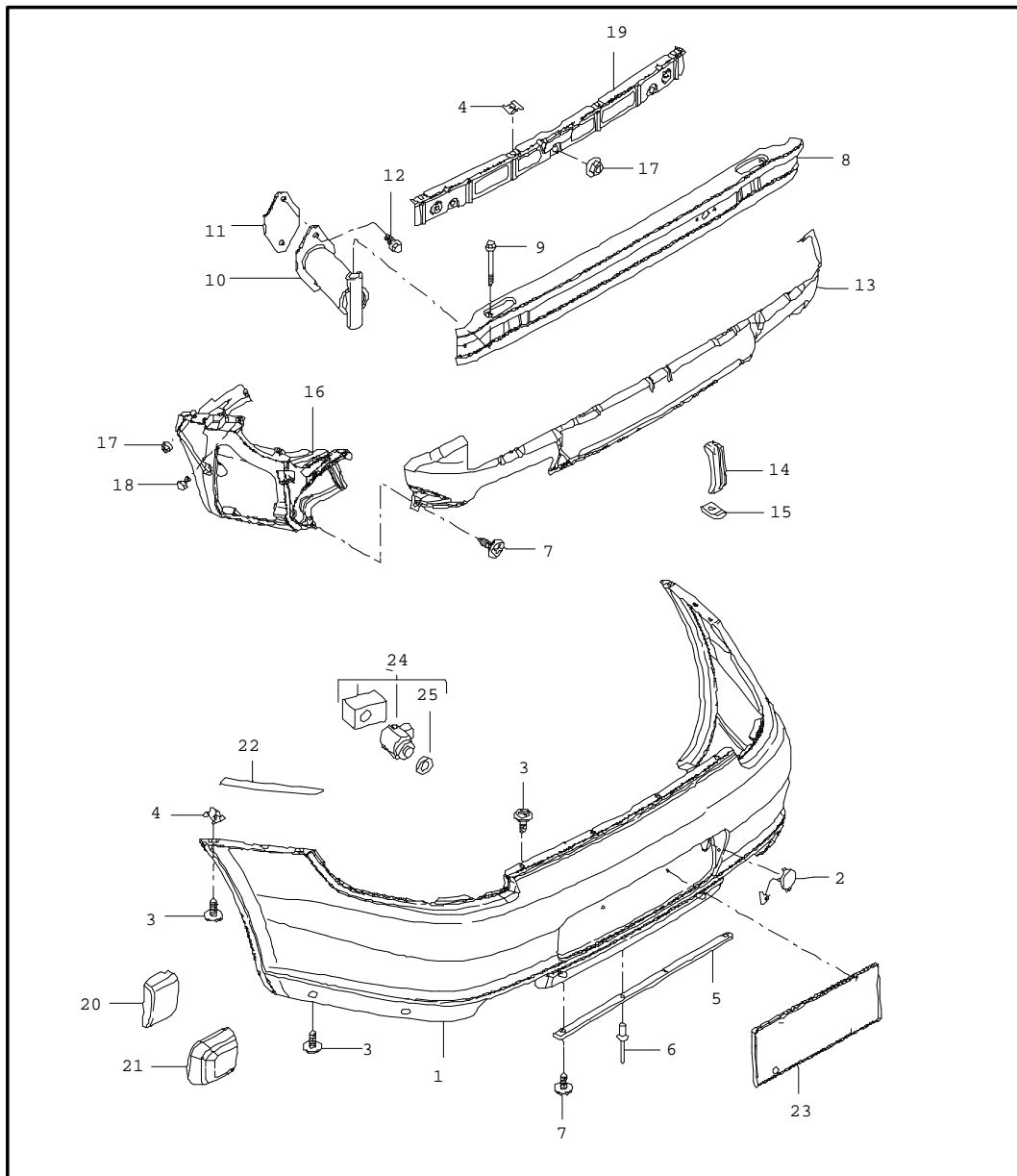
Pos	Part Number	Name	Remarks	Qty	Model
1	997 505 901 00	bumper front		1	I480
	G2X	prime coated			
(1)	997 505 901 01	lining		1	I288/480
	G2X	prime coated			
(1)	997 505 901 02	lining		1	I249
	G2X	prime coated			
(1)	997 505 901 03	lining		1	I249/288
	G2X	prime coated			
2	997 505 703 00	cap		1	
	G2X	prime coated			
3	997 505 541 00	retaining frame		1	I480
	01C	satin black centre			
(3)	997 505 541 01	retaining frame		1	I249
	01C	satin black centre			
4	997 505 563 00	retaining frame	/L	1	
	01C	satin black			
(4)	997 505 564 00	retaining frame	/R	1	
	01C	satin black			
5	997 505 525 00	cover	/L	1	
	01C	satin black			
(5)	997 505 526 00	cover	/R	1	
	01C	satin black			
6	997 505 141 00	bumper reinforcement		1	
7	900 378 088 09	hexagon-head bolt M 12 X 100		2	

Model	Year	MG	SG	Illustration	Restrictions	Update	10:24	18.08.2004	PORSCHE	PET	PORSCHE
997	05	8	02	802-00		179					

Pos	Part Number	Name	Remarks	Qty	Model	Pos	Part Number	Name	Remarks	Qty	Model
8	997 505 319 00	impact absorber		2		-	999 919 228 A2	tapping screw support number plate 5 X 28		X	
9	997 505 751 02	seal impact absorber		2							
10	900 378 267 09	hexagon-head bolt M 8 X 30		6		-	999 919 227 A2	tapping screw support number plate 5 X 13		X	
11	997 505 531 00	retaining strip centre		1							
12	999 076 078 09	hexagon nut M 6		3				- - - E N D - - -			
13	997 505 535 00	retaining strip	/L	1							
(13)	997 505 536 00	retaining strip	/R	1							
14	999 073 314 09	tapping screw ST 4,8 X 16		4							
15	999 507 590 02	speed nut ST 4,8		9							
16	996 641 142 00	temperature sensor		1							
17	997 505 557 00	spoiler		1							
	01C	satin black									
18	999 073 227 09	tapping screw ST 4,8 X 19		10							
19	999 591 699 02	speed nut ST 4,8		1							
20	997 701 105 00	support number plate		1	I211						
	01C	black									
22	997 701 109 00	support number plate		1	I210						
	01C	black									
23	999 919 227 A2	screw		2	I 210/211						
24	997 504 531 00	protective film	/V/L	1							
(24)	997 504 532 00	protective film	/V/R	1							
25	997 505 719 00	fixing device		2							



Model	Year	MG	SG	Illustration	Restrictions	Update	10:25	18.08.2004	PORSCHE	PET	PORSCHE
997	05	8	02	802-05		179					

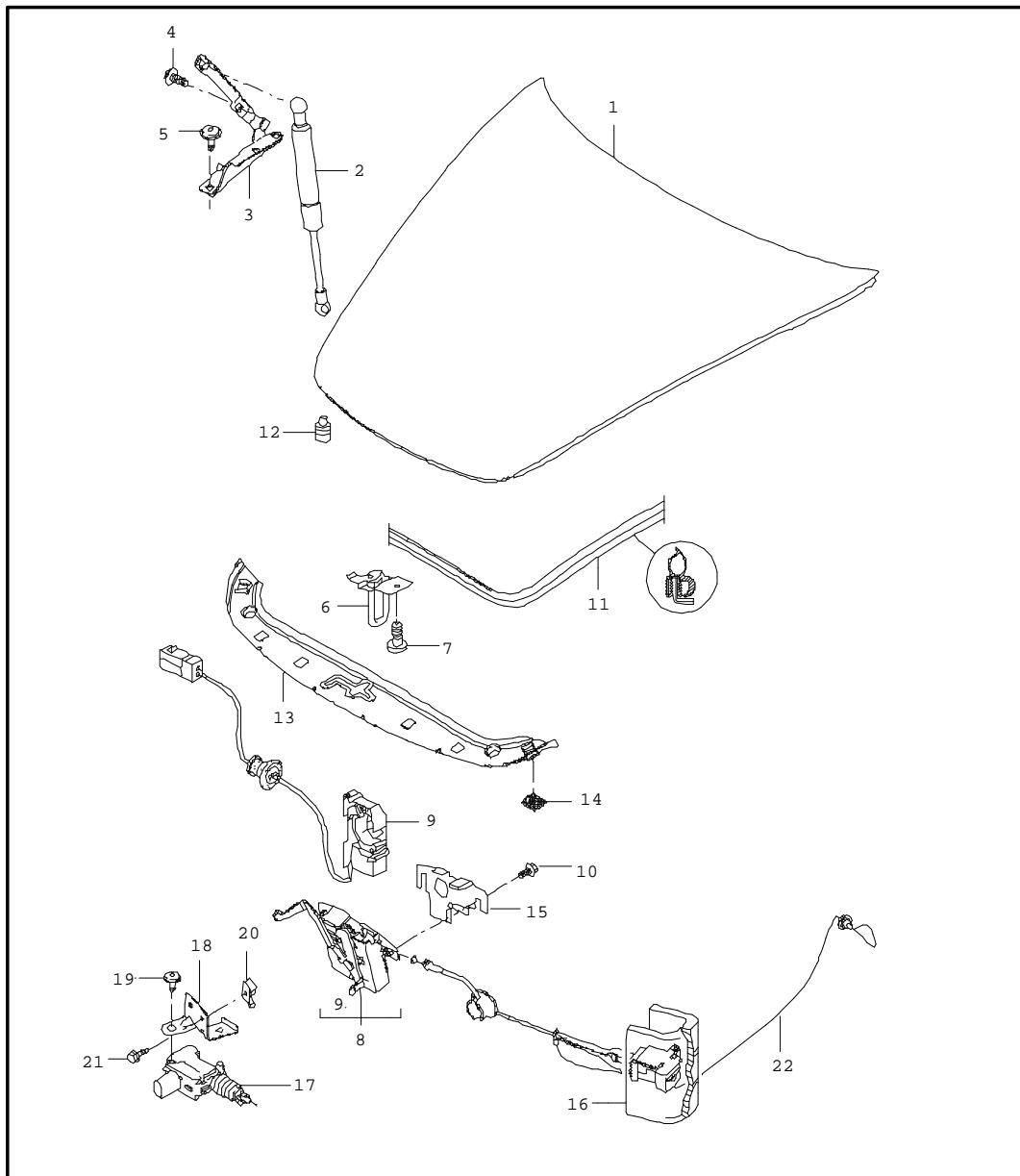


Pos	Part Number	Name	Remarks	Qty	Model
		bumper rear			
1	997 505 411 00	lining		1	
	G2X	prime coated			
1	997 505 911 00	lining		1	I635
	G2X	prime coated			
2	997 505 803 00	cap		1	
	G2X	prime coated			
3	999 073 227 09	tapping screw 4,8 X 16		10	
4	999 507 590 02	speed nut ST 4,8		6	
4	900 144 101 02	tapping screw B 4,8 X 19		4	
5	997 505 837 00	retaining strip		1	
6	999 190 104 30	blind rivet 3,2 X 7,9		2	
7	999 073 314 09	tapping screw ST 4,8 X 16		4	
8	997 505 121 00	bumper reinforcement		1	
9	900 378 088 09	hexagon-head bolt M 12 X 100		2	
10	996 505 019 01	impact pipe		2	
11	996 505 775 00	seal impact absorber		2	
12	900 378 267 09	hexagon-head bolt M 8 X 30		4	
13	997 505 475 00	heat protection centre		1	
14	997 505 639 00	rear support		2	
15	999 507 795 09	speed nut		4	
16	997 505 631 00	retaining frame	/L	1	

Model	Year	MG	SG	Illustration	Restrictions	Update	10:25	18.08.2004	PORSCHE	PET	PORSCHE
997	05	8	02	802-05		179					

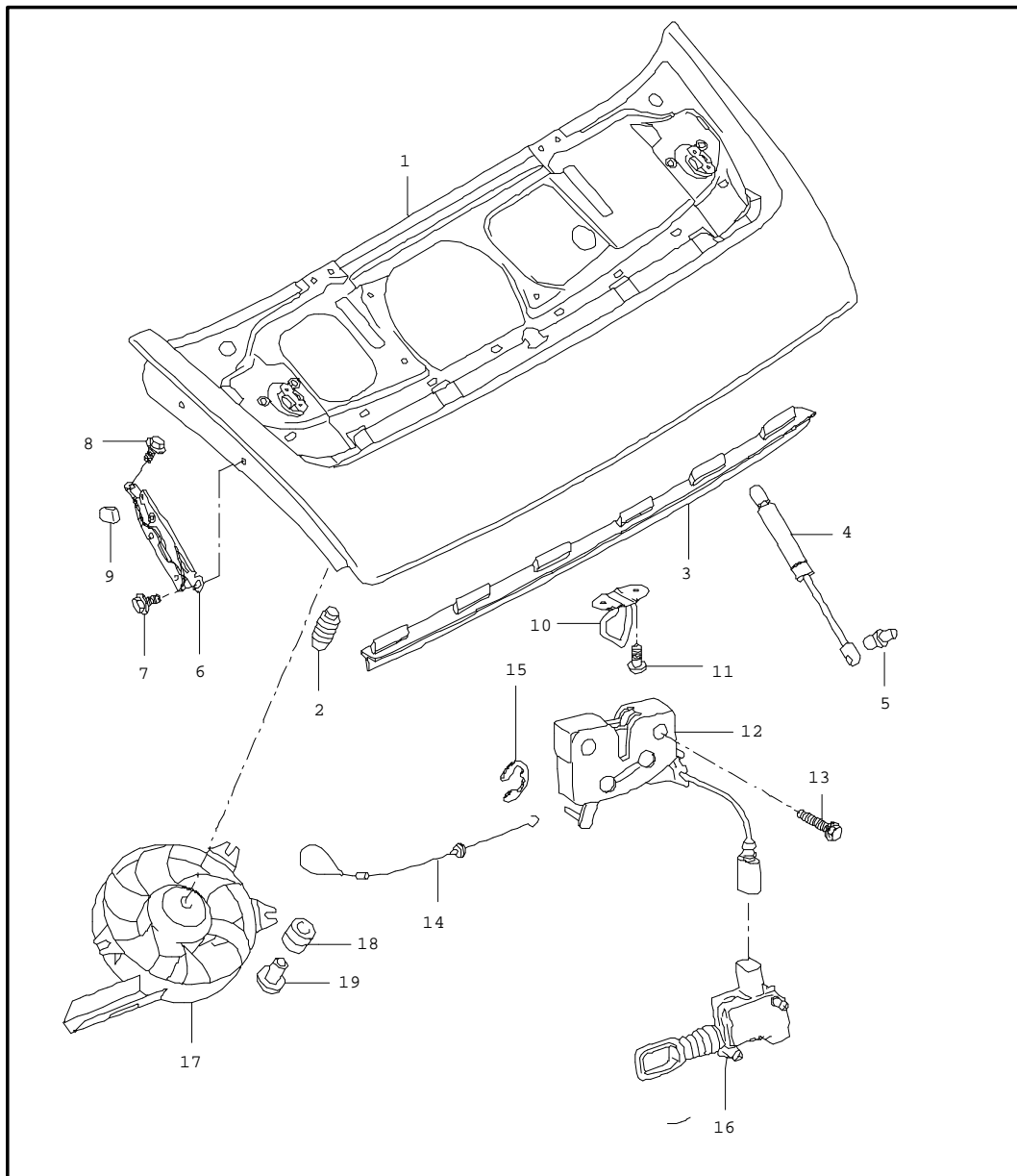
Pos	Part Number	Name	Remarks	Qty	Model	Pos	Part Number	Name	Remarks	Qty	Model
(16)	997 505 632 00	retaining frame	/R	1							
17	999 076 078 09	hexagon nut M 6		X							
18	900 075 459 09	hexagon-head bolt M 6 X 12		2							
19	997 505 641 00	retaining strip centre		1							
22	997 504 631 00	protective film		2							
23	997 701 113 00	support number plate		1	I218						
	01C	black									
-	999 919 228 A2	tapping screw support number plate 5 X 28		X							
-	999 919 227 A2	tapping screw support number plate 5 X 13		X							
24	955 606 275 01	sensor park distance control		4	I635						
25	7L6 919 659	sealing ring		4	I635						
		- - - E N D - - -									

Model	Year	MG	SG	Illustration	Restrictions	Update	10:25	18.08.2004	PORSCHE	PET	PORSCHE
997	05	8	03	803-00		179					



Pos	Part Number	Name	Remarks	Qty	Model
		cover front			
1	997 511 011 00	cover		1	
	GRV	prime coated			
		use also:			
-	000 043 204 38	sealing material		1	
2	997 511 551 01	gas-filled strut		2	
3	997 511 151 00	hinge	/L	1	
(3)	997 511 152 00	hinge	/R	1	
4	999 073 357 09	oval-head screw M 6 X 12		4	
5	999 073 348 09	oval-head screw M 6 X 20		4	
6	997 511 051 00	lock upper part		1	
7	999 073 350 04	round head screw M 6 X 16		2	
8	997 511 053 00	lock lower part		1	
9	997 613 206 00	microswitch		1	
10	900 075 466 09	screw M 6 X 16		2	
11	997 511 611 00	gasket		1	
12	999 703 140 40	buffer		2	
13	997 504 811 02	trim		1	
	01C	satin black			
14	999 902 052 40	velcro fastener		4	
15	996 511 653 00	cover		1	
16	997 511 117 00	actuator		1	
		- - - E N D - - -			

Model	Year	MG	SG	Illustration	Restrictions	Update	10:25	18.08.2004	PORSCHE	PET	PORSCHE
997	05	8	03	803-05		179					

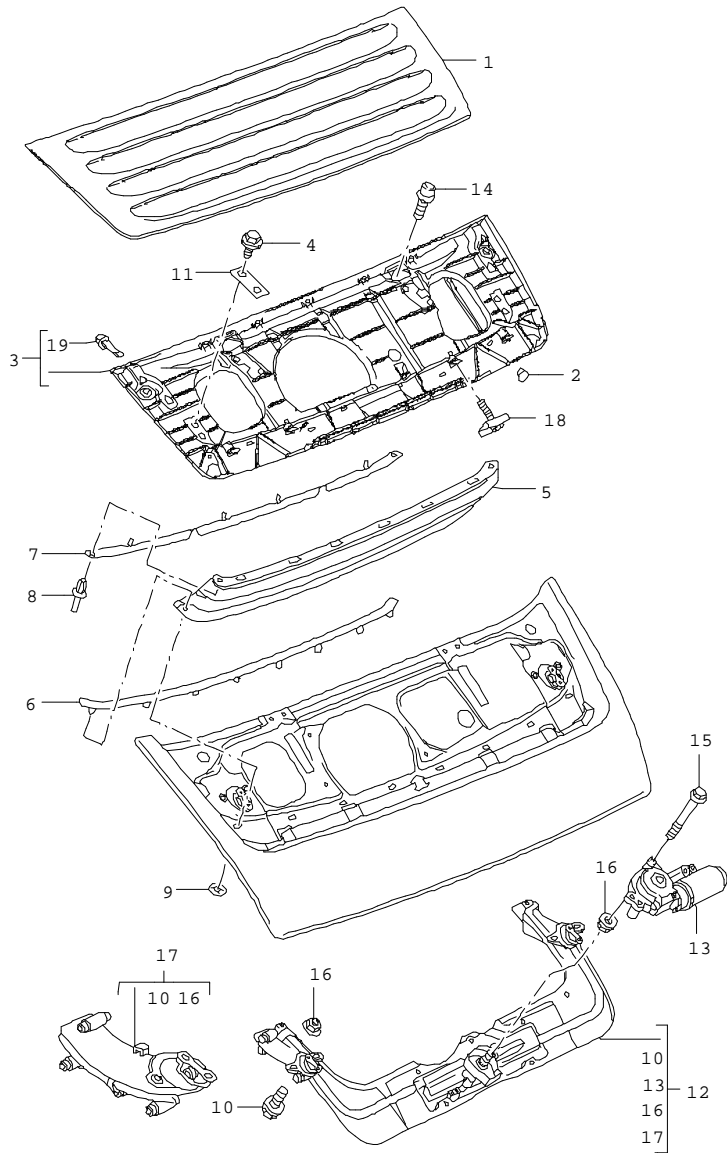


Pos	Part Number	Name	Remarks	Qty	Model
		cover rear			
1	997 512 011 00	cover		1	
	GRV	prime coated			
		use also:			
-	000 043 204 38	sealing material		1	
2	999 703 140 40	buffer		2	
3	997 512 611 00	gasket		1	
4	997 512 551 00	gas-filled strut	/R	1	
5	999 167 051 02	ball pin		2	
6	997 512 151 00	hinge	/L	1	
(6)	997 512 152 00	hinge	/R	1	
7	900 378 155 09	hexagon-head bolt M 6 X 16		4	
8	900 075 466 09	screw M 6 X 16		6	
9	996 512 153 00	stop hinge		2	
10	997 512 213 01	lock upper part		1	
11	999 073 248 09	screw M 6 X 16		2	
12	997 512 053 00	lock lower part		1	
13	900 075 458 02	screw M 6 X 40		2	
14	997 512 521 00	cable emergency operation		1	
15	900 116 002 02	lock washer		1	
16	997 624 118 00	actuator		1	
17	996 624 036 04	fan		1	
18	999 703 451 40	rubber sleeve		3	
19	999 209 049 02	spacer sleeve		3	

Model	Year	MG	SG	Illustration	Restrictions	Update	10:25	18.08.2004	PORSCHE	PET	PORSCHE
997	05	8	03	803-05		179					

Pos	Part Number	Name	Remarks	Qty	Model	Pos	Part Number	Name	Remarks	Qty	Model
		- - - E N D - - -									

Model	Year	MG	SG	Illustration	Restrictions	Update	10:25	18.08.2004	PORSCHE	PET	PORSCHE
997	05	8	03	803-07		179					

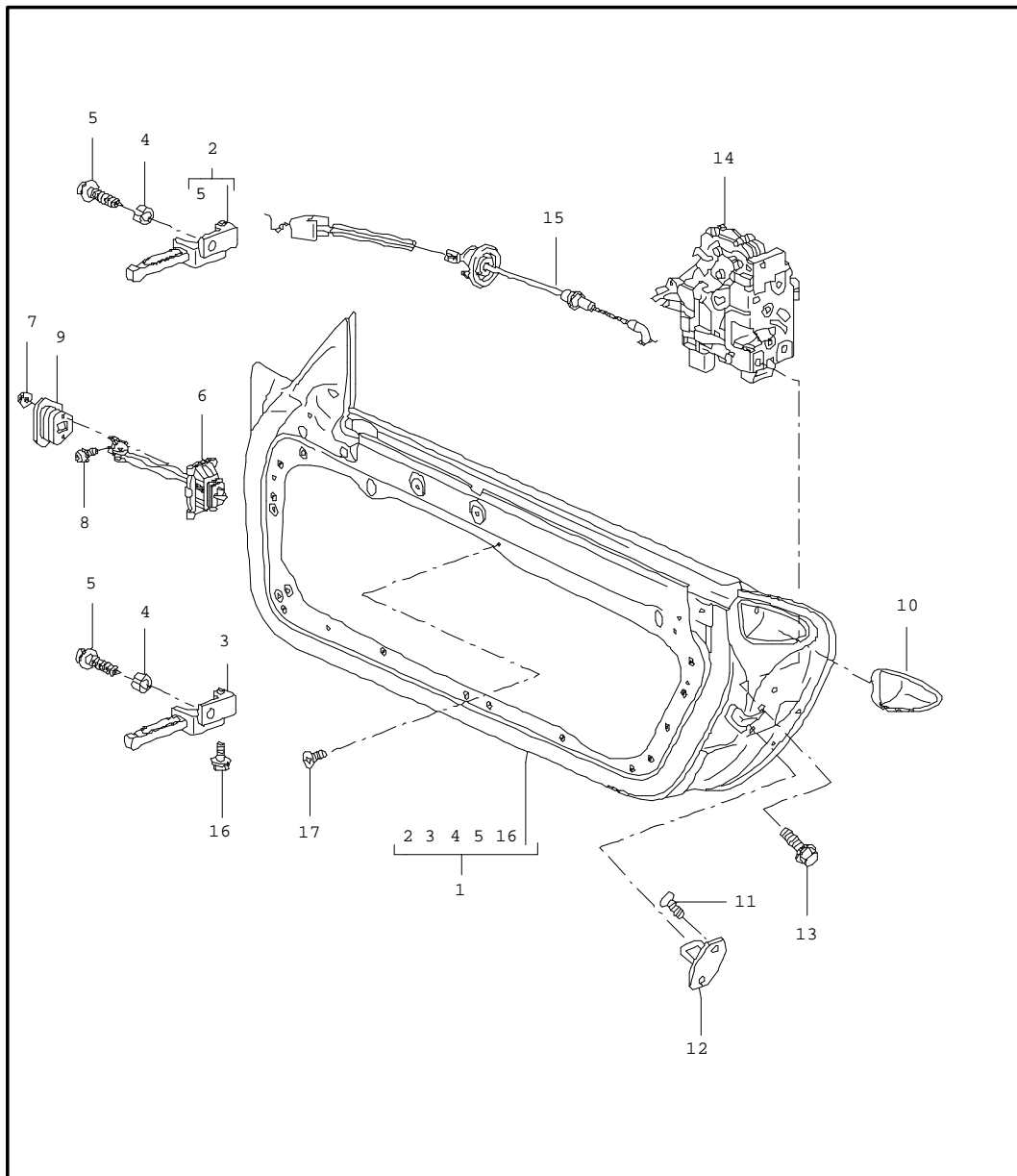


Pos	Part Number	Name	Remarks	Qty	Model
		rear spoiler			
1	997 512 241 00	spoiler		1	
	G2X	prime coated upper part			
2	996 512 212 00	plug		4	
3	997 512 205 00	spoiler		1	
(3)	997 512 205 01	spoiler lower part		1	
-	999 703 488 40	buffer 5,9 X 11,5 X 16		2	
4	900 075 490 09	hexagon-head bolt M 6 X 8		4	
5	996 512 250 00	rear wall		1	
6	996 512 163 00	rail lower		1	
7	996 512 164 00	rail upper		1	
8	999 591 712 40	expansion rivet 6,0 X 12,0		2	
9	999 591 974 07	clamping washer 5,0		8	
10	900 067 378 09	pan-head screw M 6 X 20		10	
11	996 512 757 00	desk pad		2	
12	997 512 109 00	driving mechanism		1	
(12)	997 512 109 02	driving mechanism		1	
13	996 624 151 00	electric motor		1	
14	900 067 273 09	pan-head screw M 6 X 16		4	
15	900 074 364 02	screw M 5 X 55		3	
16	900 377 009 02	hexagon nut		32	
17	997 512 911 00	hinge		1	

Model	Year	MG	SG	Illustration	Restrictions	Update	10:25	18.08.2004	PORSCHE	PET	PORSCHE
997	05	8	03	803-07		179					

Pos	Part Number	Name	Remarks	Qty	Model	Pos	Part Number	Name	Remarks	Qty	Model
18	997 512 255 00	support		4							
		- - - E N D - - -									

Model	Year	MG	SG	Illustration	Restrictions	Update	10:26	18.08.2004	PORSCHE	PET	PORSCHE
997	05	8	04	804-00		179					



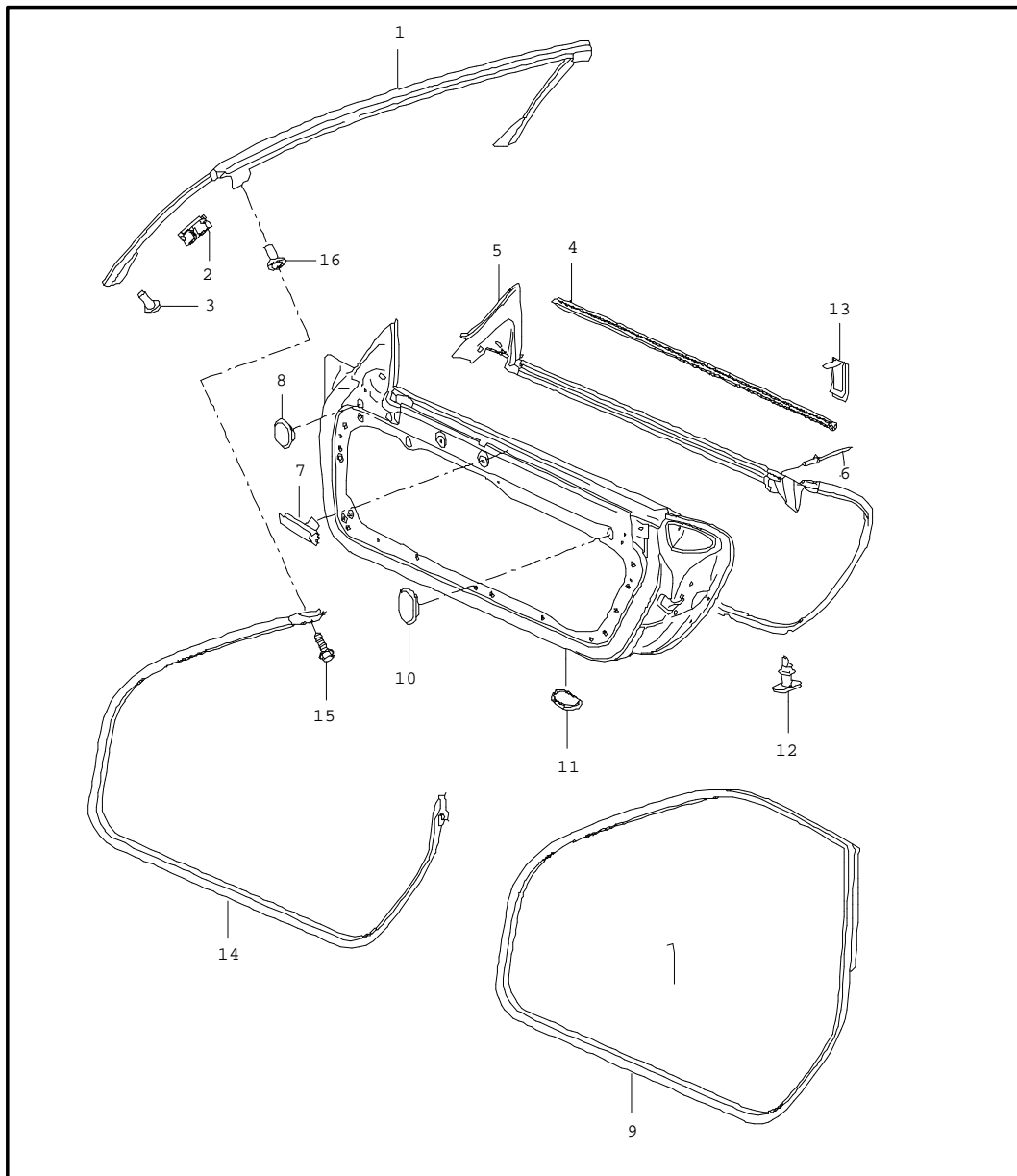
Pos	Part Number	Name	Remarks	Qty	Model
1	997 531 011 02	door in white installation parts door lock	/L	1	
	GRV	prime coated			
(1)	997 531 012 02	door in white	/R	1	
	GRV	prime coated			
-	000 043 204 38	sealing material		1	
2	997 531 321 00	hinge upper	/L	1	
(2)	997 531 322 00	hinge upper	/R	1	
3	997 531 319 00	hinge lower	/L	1	
(3)	997 531 320 00	hinge lower	/R	1	
4	996 531 831 00	sleeve		4	
5	999 067 022 02	screw M 8 X 20		2	
6	997 537 151 01	door arrester		2	
7	999 084 212 02	nut M 6		4	
8	999 073 138 09	screw M 8 X 25		2	
9	996 537 751 00	seal		2	
10	997 537 331 00	support door satin black		1	
(10)	997 537 332 00	support door satin black		1	
11	N 910 174 01	countersunk-head screw M 8 X 22		4	



Model	Year	MG	SG	Illustration	Restrictions	Update	10:26	18.08.2004	PORSCHE	PET	PORSCHE
997	05	8	04	804-00		179					

Pos	Part Number	Name	Remarks	Qty	Model	Pos	Part Number	Name	Remarks	Qty	Model
12	3B0 837 033 P	end plate		2							
13	N 908 005 01	screw M 8 X 14		2							
14	3D1 837 015	door lock	/LL/L	1	I098						
(14)	3D1 837 016	door lock	/LL/R	1	I098						
(14)	3D1 837 015 C	door lock	/L	1	I072						
(14)	3D1 837 016 C	door lock	/R	1	I072						
(14)	3D2 837 015	door lock	/RL/L	1	I099						
(14)	3D2 837 016	door lock	/RL/R	1	I099						
15	997 537 319 01	bowden cable		2							
16	999 072 043 09	hexagon-head bolt M 6 X 12 micro-self-locking		2							
17	999 073 333 09	oval-head screw M 6 X 16		8							
		- - - E N D - - -									

Model	Year	MG	SG	Illustration	Restrictions	Update	10:26	18.08.2004	PORSCHE	PET	PORSCHE
997	05	8	04	804-10		179					

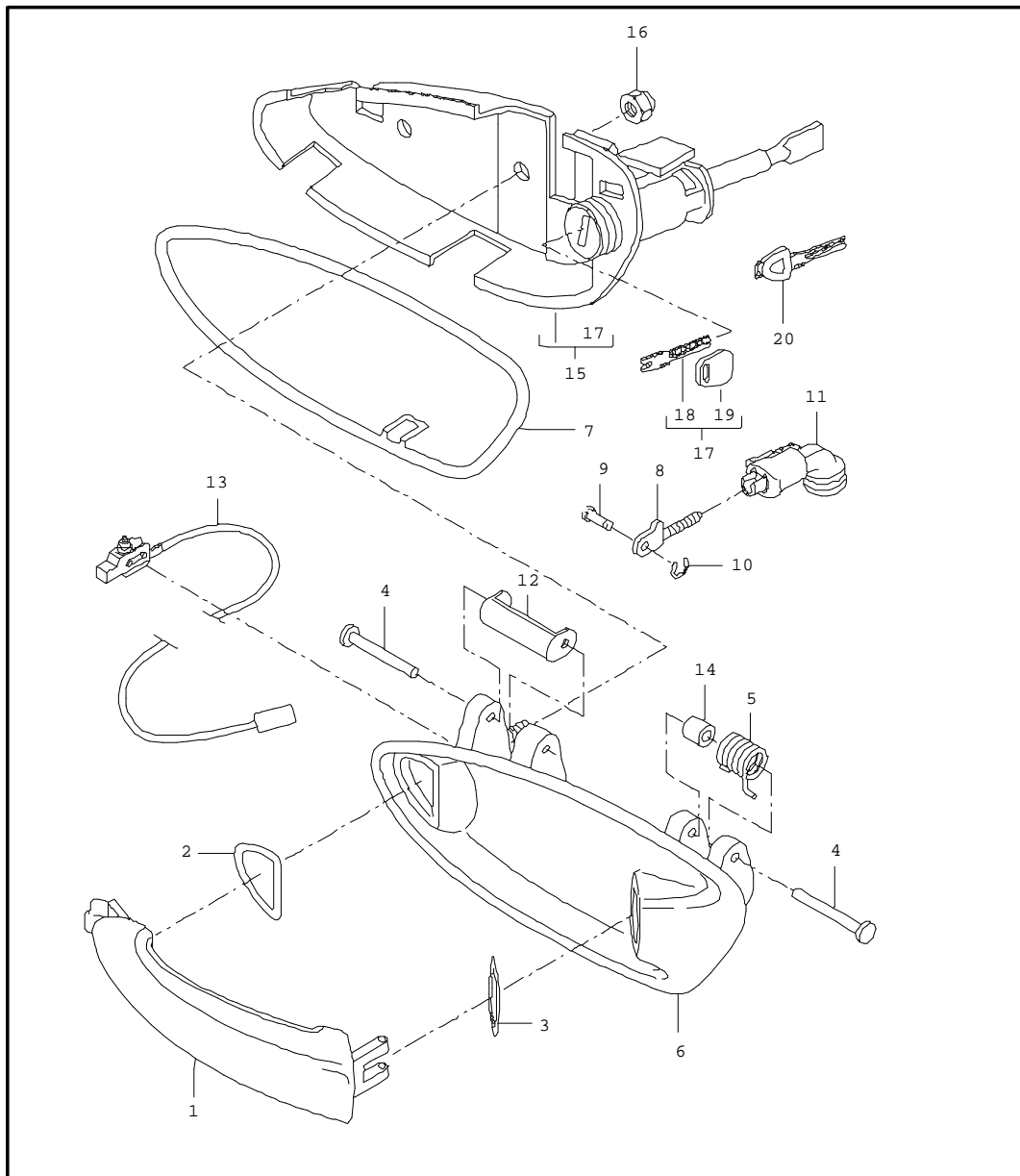


Pos	Part Number	Name	Remarks	Qty	Model
1	997 537 077 01	door seal gasket windscreen		1	CABRIO
2	999 507 678 01	u-clamp 4,0-4,5		1	CABRIO
3	999 190 445 37	rivet A 4,0 X 7,9		36	CABRIO
4	997 537 085 00	gasket outer	/L	1	
(4)	997 537 086 00	gasket outer	/R	1	
5	997 537 531 00	gasket inner	/L	1	
(5)	997 537 532 00	gasket inner	/R	1	
6	999 190 450 37	blind rivet		1	
7	997 537 495 00	rubber buffer		1	
8	803 803 583 A	cover 20,0 X 30,0		2	
(9)	997 537 075 00	gasket	/L	1	COUPE
9	997 537 076 00	gasket	/R	1	COUPE
10	999 703 441 40	cover 20 X 28 X 1		4	
11	999 703 417 40	cover 23,8 X 38,7		8	
12	999 507 578 40	clip gasket outer 5,0 X 3,7		18	
13	999 507 571 02	clamp		1	
14	997 537 075 01	gasket	/L	1	CABRIO
(14)	997 537 076 01	gasket	/R	1	CABRIO

Model	Year	MG	SG	Illustration	Restrictions	Update	10:26	18.08.2004	PORSCHE	PET	PORSCHE
997	05	8	04	804-10		179					

Pos	Part Number	Name	Remarks	Qty	Model	Pos	Part Number	Name	Remarks	Qty	Model
15	900 075 362 02	screw M 5 X 16		2	CABRIO						
16	999 500 093 02	blind rivet nut M 5/0 - 3		2	CABRIO						
		- - - E N D - - -									

Model	Year	MG	SG	Illustration	Restrictions	Update	10:26	18.08.2004	PORSCHE	PET	PORSCHE
997	05	8	04	804-20		179					

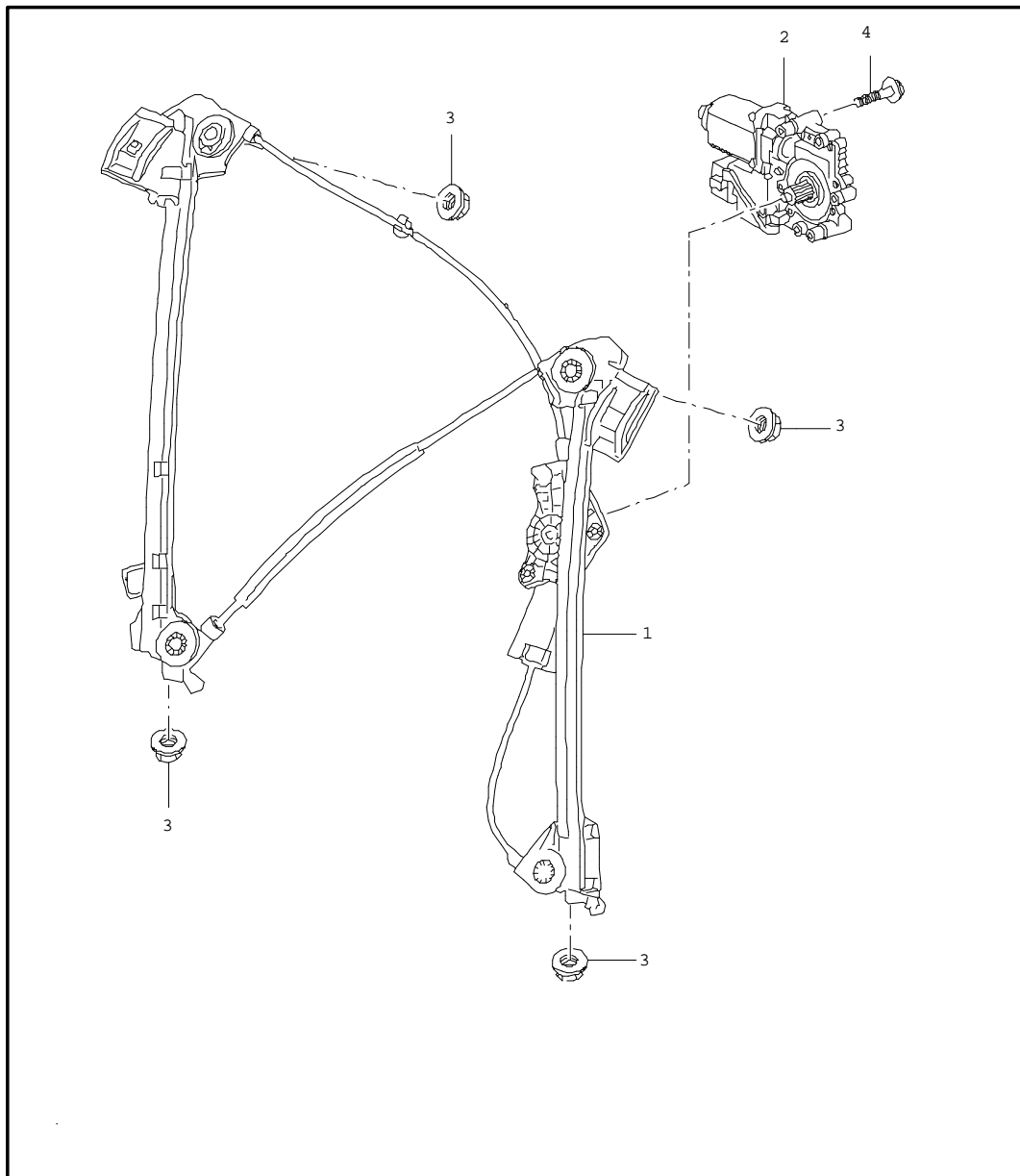


Pos	Part Number	Name	Remarks	Qty	Model
1	997 537 613 00	door handle			
		handle	/L	1	
		G2X prime coated			
(1)	997 537 614 00	handle	/R	1	
		G2X prime coated			
2	997 537 623 00	buffer		2	
3	997 537 625 00	buffer		2	
4	997 537 621 00	axle		2	
5	997 537 611 00	return spring	/L	1	
(5)	997 537 612 00	return spring	/R	1	
6	997 537 645 00	handle liner	/LL/L	1	
		G2X prime coated			
(6)	997 537 646 00	handle liner	/RL/R	1	
		G2X prime coated			
(6)	997 537 645 01	handle liner	/RL/L	1	
		G2X prime coated			
(6)	997 537 646 01	handle liner	/LL/R	1	
		G2X prime coated			
7	997 537 637 00	desk pad	/L	1	
(7)	997 537 638 00	desk pad	/R	1	
8	997 537 627 00	control shaft		2	
9	997 537 629 00	bolt		2	
10	996 537 641 00	lock washer		2	
11	997 537 445 02	connecting piece		2	
12	997 537 653 00	eccentric	/L	1	
(12)	997 537 654 00	eccentric	/R	1	
13	997 613 125 00	microswitch power windows		2	

Model	Year	MG	SG	Illustration	Restrictions	Update	10:26	18.08.2004	PORSCHE	PET	PORSCHE
997	05	8	04	804-20		179					

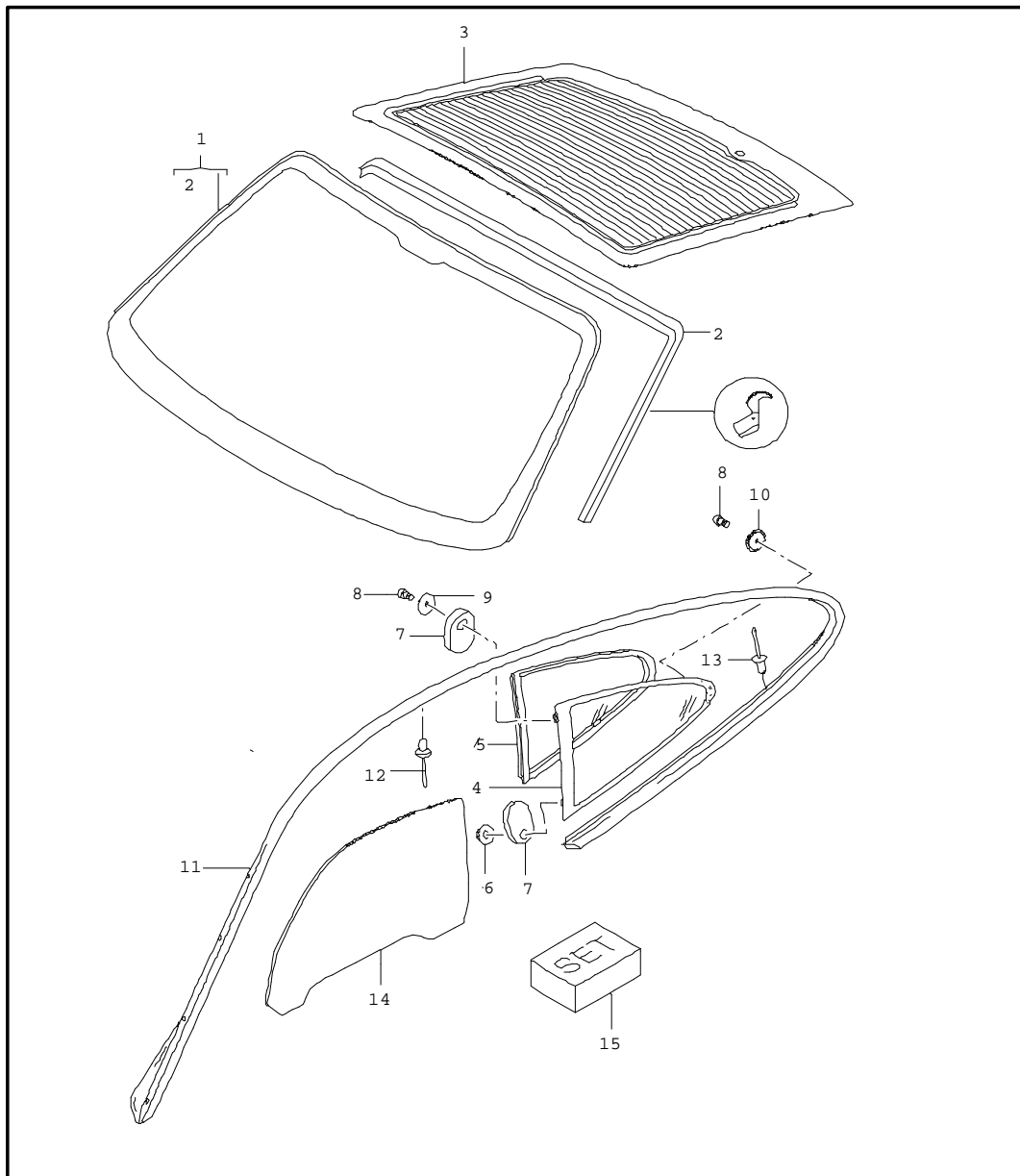
Pos	Part Number	Name	Remarks	Qty	Model	Pos	Part Number	Name	Remarks	Qty	Model
14	997 537 633 00	bush		2		20	955 538 216 00	emergency key w/o stipulated lock number		X	
15	997 538 963 00	support with lock cylinder with stipulated lock-no.	/LL/L	1				- - - E N D - - -			
(15)	997 538 964 00	support with lock cylinder with stipulated lock-no.	/RL/R	1							
(15)	997 538 963 01	support with lock cylinder w/o stipulated lock number	/LL/L	1							
(15)	997 538 964 01	support with lock cylinder w/o stipulated lock number	/RL/R	1							
(15)	997 538 963 02	support with lock cylinder w/o stipulated lock number	/LL/L06-	1	I625						
(15)	997 538 964 02	support with lock cylinder w/o stipulated lock number	/RL/R06-	1	I625						
(15)	997 538 963 03	support with lock cylinder with stipulated lock-no.	/LL/L06-	1	I625						
(15)	997 538 964 03	support with lock cylinder with stipulated lock-no.	/RL/R06-	1	I625						
(15)	997 537 463 01	support without lock cylinder	/RL/L	1							
(15)	997 537 464 01	support without lock cylinder	/LL/R	1							
16	900 380 015 09	hexagon nut M 6		2							
17	997 538 931 00	replacement key with stipulated lock-no. state lock number		X							
18	997 538 531 00	blank key		X							
19	944 538 431 00	key cap		X							
20	955 538 916 00	emergency key with stipulated lock-no. state lock number		X							

Model	Year	MG	SG	Illustration	Restrictions	Update	10:26	18.08.2004	PORSCHE	PET	PORSCHE
997	05	8	04	804-30		179					



Pos	Part Number	Name	Remarks	Qty	Model
		power windows			
1	997 542 075 00	power windows	/L	1	
(1)	997 542 076 00	power windows	/R	1	
2	997 624 101 05	electric motor	/LL/L	1	COUPE
(2)	997 624 104 05	electric motor	/LL/R	1	COUPE
(2)	997 624 102 05	electric motor	/RL/R	1	COUPE
(2)	997 624 103 05	electric motor	/RL/L	1	COUPE
3	900 380 015 09	nut M 6		4	
4	999 919 209 09	oval-head screw M 5 X 22		3	
- - - E N D - - -					

Model	Year	MG	SG	Illustration	Restrictions	Update	10:26	18.08.2004	PORSCHE	PET	PORSCHE
997	05	8	05	805-00		179					



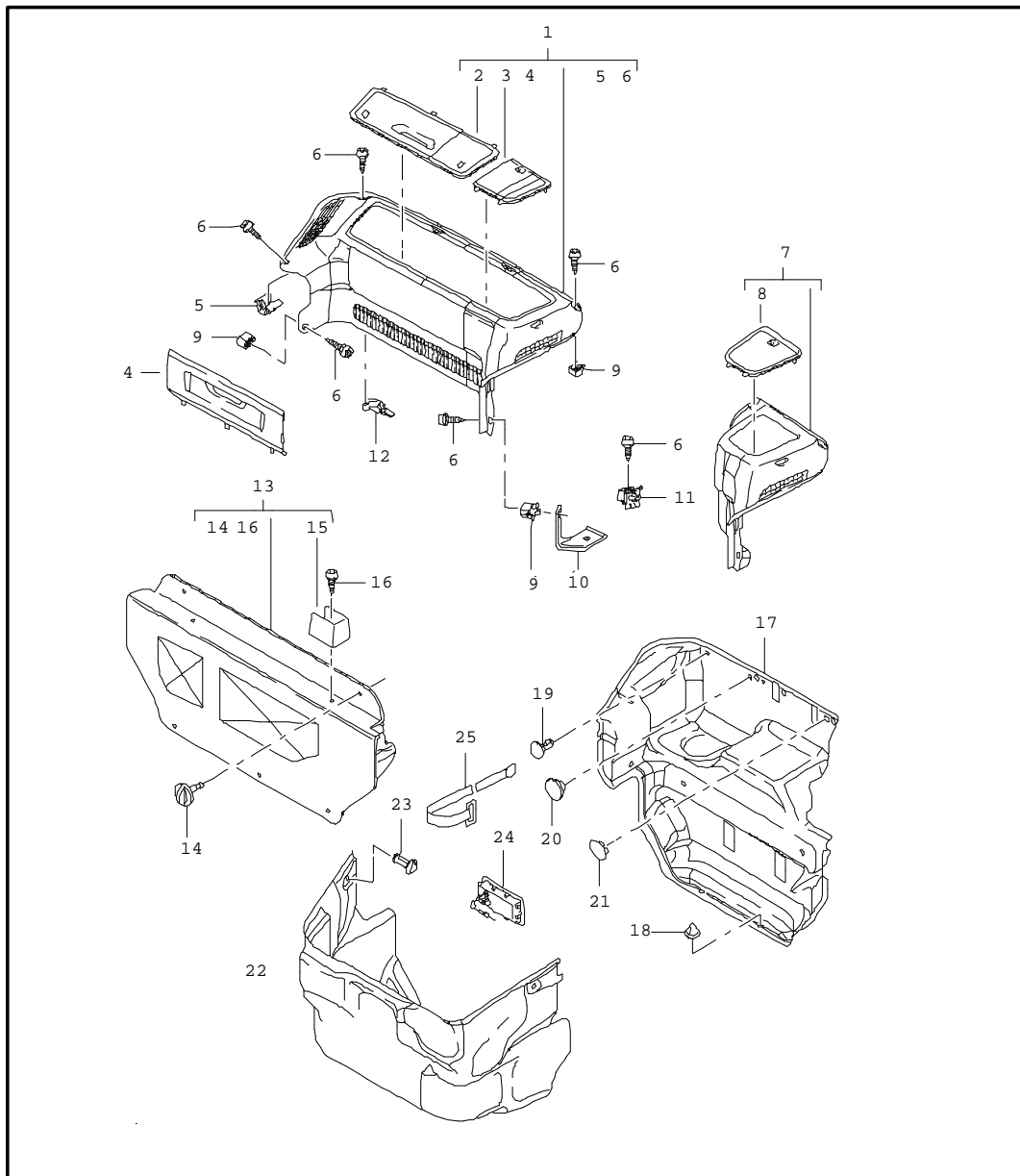
Pos	Part Number	Name	Remarks	Qty	Model
		windows			
1	997 541 111 00	windscreen tinted		1	I440/568 COUPE
(1)	997 541 111 02	windscreen tinted		1	I440/568 CABRIO
(1)	997 541 111 01	windscreen tinted upper part: dark green		1	I440/567 COUPE
(1)	997 541 111 03	windscreen tinted upper part: dark green		1	I440/567 CABRIO
2	997 541 901 00	gasket windscreen		1	COUPE
(2)	997 541 901 01	gasket windscreen		1	CABRIO
3	997 545 111 00	rear window		1	I426
(3)	997 545 111 01	rear window		1	I425
4	997 543 111 00	rear glass		1	
(4)	997 543 112 00	rear glass	/R	1	
5	997 543 325 00	sealing frame rear glass	/L	1	
(5)	997 543 326 00	sealing frame rear glass	/R	1	
6	999 084 210 02	hexagon nut M 8		1	
7	996 543 611 02	gasket		2	
8	999 218 011 02	pan-head screw M 6 X 12		2	
9	999 025 270 02	washer 6,4 X 30 X 1,5		1	
10	996 543 625 00	sealing washer		1	
11	997 537 481 00	roof frame seal	/L	1	
(11)	997 537 482 00	roof frame seal	/R	1	

Model	Year	MG	SG	Illustration	Restrictions	Update	10:26	18.08.2004	PORSCHE	PET	PORSCHE
997	05	8	05	805-00		179					

Pos	Part Number	Name	Remarks	Qty	Model	Pos	Part Number	Name	Remarks	Qty	Model
12	999 190 445 37	blind rivet 4,0 X 7,9		13							
13	999 190 450 37	blind rivet 4,0 X 6,3		7							
14	997 542 511 00	door glass	/L	1	COUPE						
(14)	997 542 512 00	door glass	/R	1	COUPE						
(14)	997 542 511 01	door glass	/L	1	CABRIO						
(14)	997 542 512 01	door glass	/R	1	CABRIO						
15	000 043 300 94	adhesive set TEROSTAT 8593		1							
		- - - E N D - - -									



Model	Year	MG	SG	Illustration	Restrictions	Update	10:27	18.08.2004	PORSCHE	PET	PORSCHE
997	05	8	07	807-00		179					



Pos	Part Number	Name	Remarks	Qty	Model
1	997 551 133 00	luggage compartment lining luggage compartment complete	/LL	1	I670
	02A	black			
1	997 551 133 00	luggage compartment lining luggage compartment complete	/LL	1	I692
	02A	black			
1	997 551 133 00	luggage compartment lining luggage compartment complete		1	I664
	02A	black			
(1)	997 551 133 01	luggage compartment lining luggage compartment complete	/RL	1	I670
	02A	black			
(1)	997 551 133 01	luggage compartment lining luggage compartment complete	/RL	1	I692
	02A	black			
2	997 551 306 00	cover upper	/LL	1	I670
	02A	black			
2	997 551 306 00	cover upper	/LL	1	I692
	02A	black			
2	997 551 306 00	cover upper		1	I664
	02A	black			
(2)	997 551 305 00	cover upper	/RL	1	
	02A	black			
3	997 551 301 00	cover brake booster	/LL	1	I670

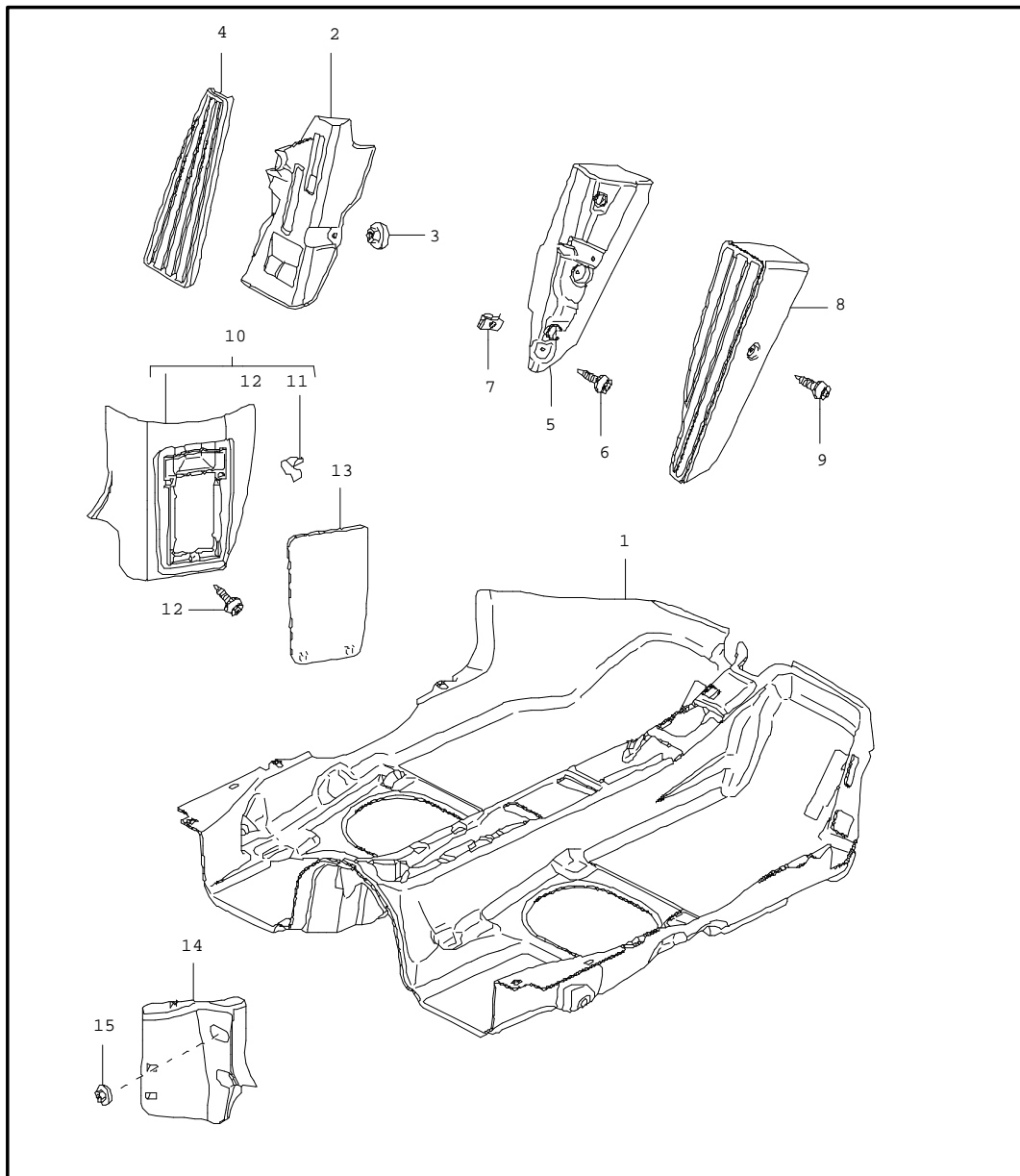
Model	Year	MG	SG	Illustration	Restrictions	Update	10:27	18.08.2004	PORSCHE	PET	PORSCHE
997	05	8	07	807-00		179					

Pos	Part Number	Name	Remarks	Qty	Model	Pos	Part Number	Name	Remarks	Qty	Model
	02A	black				9	999 507 734 40	support ST 3,5		X	
3	997 551 301 00	cover brake booster	/LL	1	I692	10	997 551 771 00	support lining luggage compartment		1	
	02A	black				11	999 507 512 40	support ST 3,5		X	
3	997 551 301 00	cover brake booster		1	I664	12	997 551 772 01	support lining	/LL	1	I670
	02A	black				12	997 551 772 01	support lining	/LL	1	I692
(3)	997 551 302 00	cover brake booster	/RL	1		12	997 551 772 01	support lining		1	I664
	02A	black				12	997 551 772 01	support lining		1	I099
4	997 551 308 00	cover lower	/LL	1	I670	13	997 551 123 00	lining tool carpet		1	
	02A	black					A31	black			
4	997 551 308 00	cover lower	/LL	1	I692	(13)	997 551 123 01	lining tool carpet		1	I193
	02A	black					A31	black			
(4)	997 551 307 00	cover lower	/RL	1		(13)	997 551 123 01	lining tool carpet		1	I215
	02A	black					A31	black			
5	999 507 735 02	clamp 9 X 22/2,5		4			A31	black			
6	999 073 049 02	tapping screw ST 3,5 X 16		X		14	997 551 803 00	catch lining tool		2	
7	997 551 131 00	lining brake booster	/LL	1		15	997 551 801 00	support warning triangle	/L	1	
	02A	black					02A	black			
8	997 551 311 00	cover brake booster	/LL	1		(15)	997 551 802 00	support warning triangle	/R	1	
	02A	black					02A	black			

Model	Year	MG	SG	Illustration	Restrictions	Update	10:27	18.08.2004	PORSCHE	PET	PORSCHE
997	05	8	07	807-00		179					

Pos	Part Number	Name	Remarks	Qty	Model	Pos	Part Number	Name	Remarks	Qty	Model
16	999 073 362 09	tapping screw 4,8 X 22		2		25	997 551 741 00	retaining strap first-aid kit		1	I024/692
17	997 551 051 06	lining luggage compartment bulkhead carpet	/LL	1	I476	(25)	997 551 741 00	retaining strap first-aid kit		1	I499/692
	A31	black						- - - E N D - - -			
(17)	997 551 051 08	lining bulkhead carpet	/LL	1	I/476/670						
	A31	black									
(17)	997 551 051 08	lining bulkhead carpet	/LL	1	I/476/692						
	A31	black									
(17)	997 551 051 10	lining bulkhead carpet		1	I476/664						
	A31	black									
(17)	997 551 051 12	lining bulkhead carpet	/RL	1							
	A31	black									
18	999 049 004 40	plastic nut T5 / 32 X 20		2							
19	999 703 432 40	plug 8,2 X 18		2							
20	999 703 455 40	cap 12,2 X 25		2							
21	999 703 456 40	cap 49 X 26		1							
22	997 551 045 00	lining luggage compartment pan carpet		1							
	A31	black									
23	999 049 006 40	plastic nut T5 /30 X 7,5		2							

Model	Year	MG	SG	Illustration	Restrictions	Update	10:27	18.08.2004	PORSCHE	PET	PORSCHE
997	05	8	07	807-02		179					



Pos	Part Number	Name	Remarks	Qty	Model
1	997 551 011 00	carpet linings carpet	/LL	1	COUPE
	FLW	black			
	FLX	stone grey			
	FLY	sand beige			
	FLZ	sea blue			
	FMA	palmgreen			
	FMB	terracotta			
	FMC	cocoa			
	FMD	dark grey/natural			
	FME	brown/natural			
(1)	997 551 011 01	carpet carpet	/RL	1	COUPE
	FLW	black			
	FLX	stone grey			
	FLY	sand beige			
	FLZ	sea blue			
	FMA	palmgreen			
	FMB	terracotta			
	FMC	cocoa			
	FMD	dark grey/natural			
	FME	brown/natural			
(1)	997 551 011 02	carpet carpet	/LL	1	CABRIO
	FLW	black			
	FLX	stone grey			
	FLY	sand beige			

Model	Year	MG	SG	Illustration	Restrictions	Update	10:27	18.08.2004	PORSCHE	PET	PORSCHE
997	05	8	07	807-02		179					

Pos	Part Number	Name	Remarks	Qty	Model	Pos	Part Number	Name	Remarks	Qty	Model
		FLZ sea blue				(1)	997 551 011 05	carpet	/RL	1	CABRIO/I680
		FMA palmgreen						carpet			
		FMB terracotta					FLW	black			
		FMC cocoa					FLX	stone grey			
		FMD dark grey/natural					FLY	sand beige			
		FME brown/natural					FLZ	sea blue			
(1)	997 551 011 03	carpet	/RL	1	CABRIO		FMA	palmgreen			
		carpet					FMB	terracotta			
		FLW black					FMC	cocoa			
		FLX stone grey					FMD	dark grey/natural			
		FLY sand beige					FME	brown/natural			
		FLZ sea blue				--	997 551 813 00	protective film	/LL	1	
		FMA palmgreen						carpet			
		FMB terracotta				--	997 551 815 00	protective film	/RL	1	
		FMC cocoa						carpet			
		FMD dark grey/natural				2	997 551 211 00	foot support	/LL	1	
		FME brown/natural				3	999 076 081 40	plastic nut	/LL	2	
(1)	997 551 011 04	carpet	/LL	1	CABRIO/I680			T5/16 X 11,2			
		carpet						FUER			
		FLW black				4	997 551 611 00	mount	/LL	1	
		FLX stone grey						foot support			
		FLY sand beige						cover			
		FLZ sea blue						foot support			
		FMA palmgreen						01C	/LL	1	
		FMB terracotta						satin black			
		FMC cocoa				5	997 551 212 00	foot support	/RL	1	
		FMD dark grey/natural									
		FME brown/natural				6	999 073 228 09	foot support	/RL	2	I099
								tapping screw			
								ST 4,8 X 13			
								for			
								mount			
								foot support			
						7	999 591 485 02	speed nut	/RL	2	
								ST 4,8			
								for			
								mount			
								foot support			

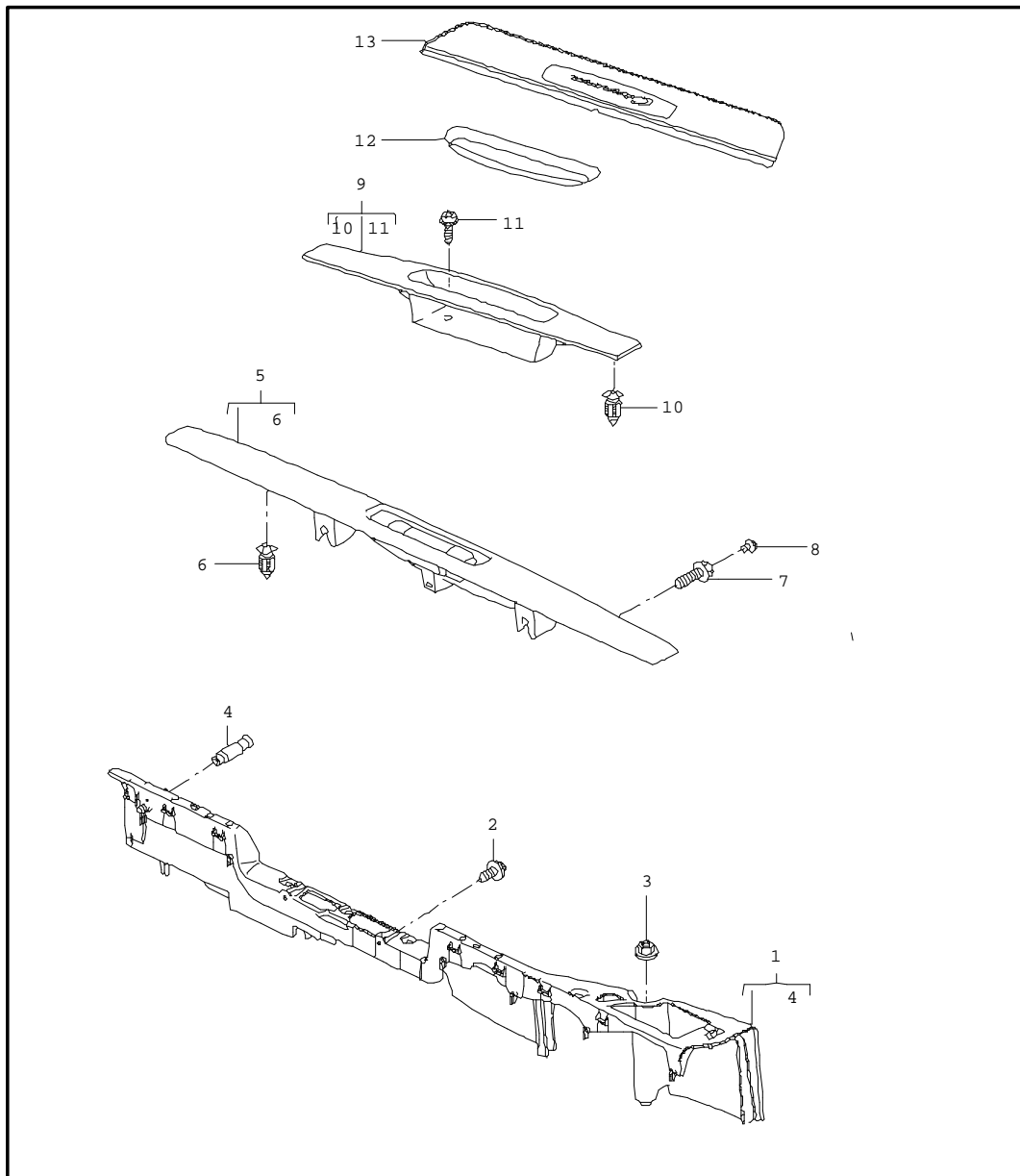
Model	Year	MG	SG	Illustration	Restrictions	Update	10:27	18.08.2004	PORSCHE	PET	PORSCHE
997	05	8	07	807-02		179					

Pos	Part Number	Name	Remarks	Qty	Model	Pos	Part Number	Name	Remarks	Qty	Model
8	997 551 612 00	cover foot support	/RL	1			T11	brown/natural			
	01C	satin black				11	999 507 552 02	spring clamp 9,0 X 13/4,0		2	
9	999 919 161 09	oval-head screw 5,0 X 18 for mount cover foot support	/RL	1		12	999 919 161 09	oval-head screw 5,0 X 18 for mount lining fusebox		3	
10	997 551 101 00	lining fusebox carpet	/LL	1		13	997 551 621 00	cover lining fusebox	/LL	1	
	A10	black					01C	satin black			
	B10	stone grey				(13)	997 551 622 00	cover lining fusebox	/RL	1	
	T10	sand beige					01C	satin black			
	E10	sea blue				14	997 551 712 01	support carpet	/LL	1	
	J10	palmgreen				(14)	997 551 711 01	support carpet	/RL	1	
	M10	terracotta				15	999 076 081 40	plastic nut T5/16 X 11,2 mount support carpet		2	
	R10	cocoa									
	D11	dark grey/natural									
	T11	brown/natural									
(10)	997 551 102 00	lining fusebox carpet	/RL	1		16	997 551 984 00	floor mats set perlon velour	/LL	1	IXX1
	A10	black					A41	black			
	B10	stone grey					B21	stone grey			
	T10	sand beige					T41	sand beige			
	E10	sea blue					E21	sea blue			
	J10	palmgreen					J41	palmgreen			
	M10	terracotta					M21	terracotta			
	R10	cocoa					R41	cocoa			
	D11	dark grey/natural									

Model	Year	MG	SG	Illustration	Restrictions	Update	10:27	18.08.2004	PORSCHE	PET	PORSCHE
997	05	8	07	807-02		179					

Pos	Part Number	Name	Remarks	Qty	Model	Pos	Part Number	Name	Remarks	Qty	Model
(16)	997 551 984 01	T21 brown/natural floor mats set perlon velour	/RL	1	IXX1		E21	sea blue			
		A41 black					J41	palmgreen			
		B21 stone grey					M21	terracotta			
		T41 sand beige					R41	cocoa			
		E21 sea blue				17	986 551 985 00	fastening plate for floor mats		4	
		J41 palmgreen					T21	brown/natural			
		M21 terracotta						- - - E N D - - -			
		R41 cocoa									
(16)	997 551 984 02	T21 brown/natural floor mats set perlon velour	/LL	1	CABRIO/ IXX1/680						
		A41 black									
		B21 stone grey									
		T41 sand beige									
		E21 sea blue									
		J41 palmgreen									
		M21 terracotta									
		R41 cocoa									
(16)	997 551 984 03	T21 brown/natural floor mats set perlon velour	/RL	1	CABRIO/ IXX1/680						
		A41 black									
		B21 stone grey									
		T41 sand beige									

Model	Year	MG	SG	Illustration	Restrictions	Update	10:27	18.08.2004	PORSCHE	PET	PORSCHE
997	05	8	07	807-03		179					



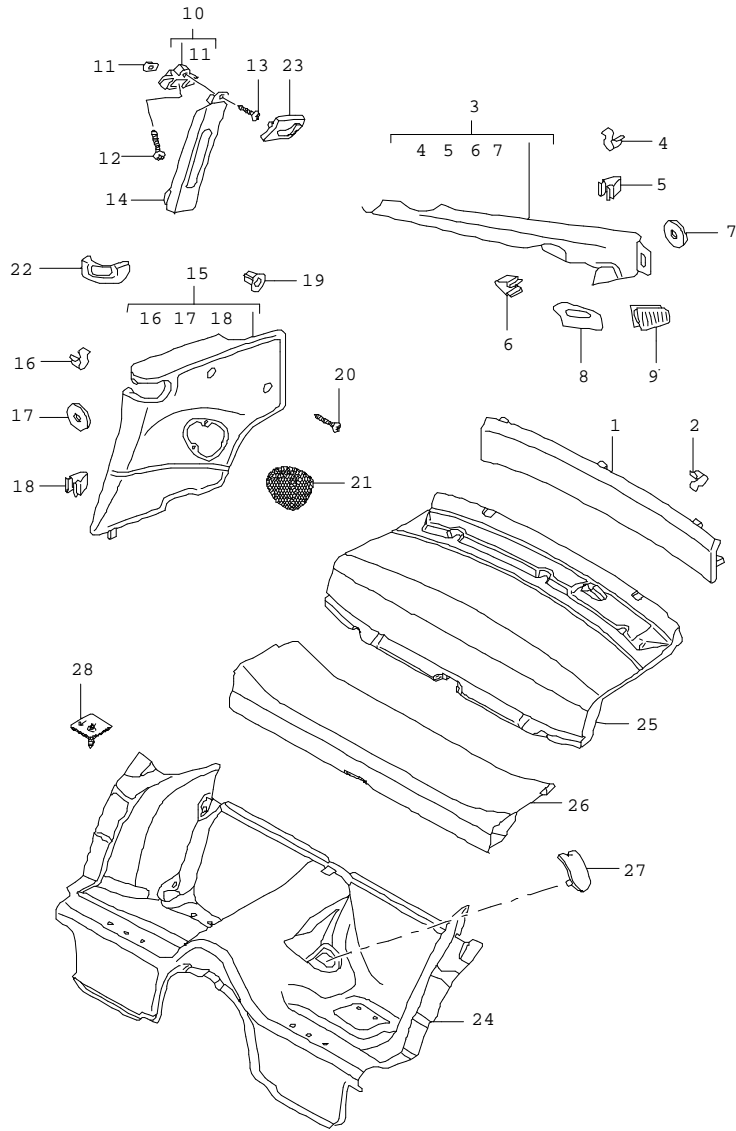
Pos	Part Number	Name	Remarks	Qty	Model
1	N 997 551 619 01	lining door sill	/L	1	
(1)	N 997 551 620 01	support door sill	/R	1	
2	900 143 082 02	tapping screw ST 6,3 X 13 for mount support door sill		4	
3	999 076 081 40	plastic nut T5 16 X 11,2 for mount support door sill		2	
4	996 551 873 00	locating peg for mount support door sill		2	
5	997 551 019 00	lining door sill driver's side	/LL	1	
	A03	black			
(5)	997 551 019 01	lining door sill driver's side	/RL	1	
	A03	black			
5	997 551 982 00	lining door sill driver's side leather	/LL	1	IXTG
	A11	black			
	5X6	stone grey			
	8G2	sand beige			
	3S9	sea blue			



Model	Year	MG	SG	Illustration	Restrictions	Update	10:27	18.08.2004	PORSCHE	PET	PORSCHE
997	05	8	07	807-03		179					

Pos	Part Number	Name	Remarks	Qty	Model	Pos	Part Number	Name	Remarks	Qty	Model
	4P2	palmgreen					A11	black			
	9S5	terracotta					5X6	stone grey			
	9V6	cocoa					8G2	sand beige			
	D12	dark grey/natural					3S9	sea blue			
	T12	brown/natural					4P2	palmgreen			
(5)	997 551 982 01	lining door sill driver's side leather	/RL	1	IXTG		9S5	terracotta			
	A11	black					9V6	cocoa			
	5X6	stone grey					D12	dark grey/natural			
	8G2	sand beige				10	999 507 484 40	expander nut 9 X 22		6	
	3S9	sea blue				11	999 919 164 09	oval-head screw 5,0 X 12		1	
	4P2	palmgreen				13	997 551 303 00	scuff plate lacquered		2	CARRERA
	9S5	terracotta					A03	black			
	9V6	cocoa				(13)	997 551 303 01	scuff plate lacquered		2	CARRERA S
	D12	dark grey/natural					A03	black			
	T12	brown/natural				13	997 551 980 00	scuff plate carbon		2	CARRERA/IX69 IX69
6	999 507 484 40	expander nut 9 X 22		6		(13)	997 551 980 01	scuff plate carbon		2	CARRERA S/ IX69
7	999 067 046 09	screw M 6 X 20		2		13	997 551 981 00	scuff plate stainless steel		2	CARRERA/IX70 IX70
8	999 703 443 40	plug 8,0 X 11		2		(13)	997 551 981 01	scuff plate stainless steel		2	CARRERA S/ IX70
	01C	satin black						- - - E N D - - -			
9	997 551 120 00	lining door sill passenger's side		1							
	A03	black									
(9)	997 551 983 00	lining door sill passenger's side leather		1	IXTG						

Model	Year	MG	SG	Illustration	Restrictions	Update	10:27	18.08.2004	PORSCHE	PET	PORSCHE
997	05	8	07	807-05		179					



Pos	Part Number	Name	Remarks	Qty	Model
1	997 555 081 00	linings rear back wall lining carpet		1	COUPE I426
	A10	black			
	B10	stone grey			
	T10	sand beige			
	E10	sea blue			
	J10	palmgreen			
	M10	terracotta			
	R10	cocoa			
	D11	dark grey/natural			
	T11	brown/natural			
(1)	997 555 081 01	back wall lining carpet		1	I425
	A10	black			
	B10	stone grey			
	T10	sand beige			
	E10	sea blue			
	J10	palmgreen			
	M10	terracotta			
	R10	cocoa			
	D11	dark grey/natural			
	T11	brown/natural			
2	999 507 687 05	cable clamp 11,3		5	
3	997 555 187 00	lining c-pillar leatherette	/L	1	
	1MZ	black			

Model	Year	MG	SG	Illustration	Restrictions	Update	10:27	18.08.2004	PORSCHE	PET	PORSCHE
997	05	8	07	807-05		179					

Pos	Part Number	Name	Remarks	Qty	Model	Pos	Part Number	Name	Remarks	Qty	Model
	1YP	stone grey					3S9	sea blue			
	1TK	sand beige					4P2	palmgreen			
	1VM	sea blue					9S5	terracotta			
	1UL	palmgreen					9V6	cocoa			
(3)	997 555 188 00	lining c-pillar leatherette	/R	1			D12	dark grey/natural			
	1MZ	black				4	999 507 533 02	clamp 8,0 X10,0/2,5		4	
	1YP	stone grey				5	999 507 479 09	clamp 2,5/09		6	
	1TK	sand beige				(5)	999 507 676 09	clamp 2,5/2,2		1	
	1VM	sea blue				6	999 651 307 02	cable clamp 18,0		2	
3	997 555 187 01	lining c-pillar leather	/L	1	I981	7	999 551 609 40	plastic washer 8,0 X 23 X 3,0		7	
	A11	black				8	996 555 545 01	rose seat belt rear lacquered	/L	1	
	5X6	stone grey					A03	black			
	8G2	sand beige					5V7	stone grey			
	3S9	sea blue					5Z1	sand beige			
	4P2	palmgreen					8W7	sea blue			
	9S5	terracotta					5Y2	palmgreen			
	9V6	cocoa					8X8	terracotta			
	D12	dark grey/natural					8P9	cocoa			
	T12	brown/natural					T13	brown/natural			
(3)	997 555 188 01	lining c-pillar leather	/R	1	I981	(8)	996 555 546 01	rose seat belt rear lacquered	/R	1	
	A11	black					A03	black			
	5X6	stone grey									
	8G2	sand beige									

Model	Year	MG	SG	Illustration	Restrictions	Update	10:27	18.08.2004	PORSCHE	PET	PORSCHE
997	05	8	07	807-05		179					

Pos	Part Number	Name	Remarks	Qty	Model	Pos	Part Number	Name	Remarks	Qty	Model
	5V7	stone grey				10	996 555 821 02	bracket coat hook	/L	1	
	5Z1	sand beige				(10)	996 555 822 02	bracket coat hook	/R	1	
	8W7	sea blue				11	999 507 695 02	speed nut ST 4,8		2	
	5Y2	palmgreen				12	999 073 130 02	tapping screw M 6 X 16		2	
	8X8	terracotta				13	999 073 060 02	tapping screw 4,8 X 13		2	
	8P9	cocoa				14	997 555 183 00	lining b-pillar leatherette	/L	1	
9	996 555 645 00	grille bleeding lacquered	/L	1			1MZ	black			
	A03	black					1YP	stone grey			
	5V7	stone grey					1TK	sand beige			
	5Z1	sand beige					1VM	sea blue			
	8W7	sea blue					1UL	palmgreen			
	5Y2	palmgreen				(14)	997 555 184 00	lining b-pillar leatherette	/R	1	
	8X8	terracotta					1MZ	black			
	8P9	cocoa					1YP	stone grey			
	T13	brown/natural					1TK	sand beige			
(9)	996 555 646 00	grille bleeding lacquered	/L	1			1VM	sea blue			
	A03	black					1UL	palmgreen			
	5V7	stone grey				14	997 555 183 01	lining b-pillar leather	/L	1	I981
	5Z1	sand beige					A11	black			
	8W7	sea blue					5X6	stone grey			
	5Y2	palmgreen					8G2	sand beige			
	8X8	terracotta					3S9	sea blue			
	8P9	cocoa									
	T13	brown/natural									

Model	Year	MG	SG	Illustration	Restrictions	Update	10:27	18.08.2004	PORSCHE	PET	PORSCHE
997	05	8	07	807-05		179					

Pos	Part Number	Name	Remarks	Qty	Model	Pos	Part Number	Name	Remarks	Qty	Model
	4P2	palmgreen					1TK	sand beige			
	9S5	terracotta					1VM	sea blue			
	9V6	cocoa					1UL	palmgreen			
	D12	dark grey/natural				15	997 555 071 01	side trim panel leather	/L	1	I981
	T12	brown/natural					FSA	black/grey			
(14)	997 555 184 01	lining b-pillar leather	/R	1	I981		FSB	stone grey/stone grey			
	A11	black					FSC	sand beige/sand beige			
	5X6	stone grey					FSD	seeblue/grey			
	8G2	sand beige					FSE	palm-green/palm-green			
	3S9	sea blue					FSF	terrakotta/terrakotta			
	4P2	palmgreen					FSG	cocoa/cocoa			
	9S5	terracotta					FSH	darkgrey natural/grey			
	9V6	cocoa					FSJ	brown nat./brown nat.			
	D12	dark grey/natural				(15)	997 555 072 01	side trim panel leather	/R	1	I981
	T12	brown/natural					FSA	black/grey			
--	996 555 859 00	grommet b-pillar		2			FSB	stone grey/stone grey			
15	997 555 071 00	side trim panel leatherette	/L	1			FSC	sand beige/sand beige			
	1MZ	black					FSD	seeblue/grey			
	1YP	stone grey					FSE	palm-green/palm-green			
	1TK	sand beige					FSF	terrakotta/terrakotta			
	1VM	sea blue					FSG	cocoa/cocoa			
	1UL	palmgreen					FSH	darkgrey natural/grey			
(15)	997 555 072 00	side trim panel leatherette	/R	1			FSJ	brown nat./brown nat.			
	1MZ	black				16	999 507 676 09	clamp 2,5/2,2		2	
	1YP	stone grey				17	999 551 609 40	plastic washer 8,0 X 23 X 3,0		2	

Model	Year	MG	SG	Illustration	Restrictions	Update	10:27	18.08.2004	PORSCHE	PET	PORSCHE
997	05	8	07	807-05		179					

Pos	Part Number	Name	Remarks	Qty	Model	Pos	Part Number	Name	Remarks	Qty	Model
18	999 507 533 02	clamp 8.0 X 10 /2,5		1			5V7	stone grey			
19	999 507 050 40	expander nut ST 4,2		2			5Z1	sand beige			
20	999 073 079 02	lens-head screw ST 4,2 X 19		2			8W7	sea blue			
21	997 555 049 00	loudspeaker grille side trim panel lacquered	/L	1			5Y2	palmgreen			
	A03	black					8X8	terracotta			
	5V7	stone grey				(22)	997 555 062 00	rose seat belt lacquered	/R	1	
	5Z1	sand beige					A03	black			
	8W7	sea blue					5V7	stone grey			
	5Y2	palmgreen					5Z1	sand beige			
	8X8	terracotta					8W7	sea blue			
	8P9	cocoa					5Y2	palmgreen			
	T13	brown/natural					8X8	terracotta			
(21)	997 555 050 00	loudspeaker grille side trim panel lacquered	/R	1			8P9	cocoa			
	A03	black					T13	brown/natural			
	5V7	stone grey				23	997 555 573 00	coat hook lacquered	/L	1	
	5Z1	sand beige					A03	black			
	8W7	sea blue					5V7	stone grey			
	5Y2	palmgreen					5Z1	sand beige			
	8X8	terracotta					8W7	sea blue			
	8P9	cocoa					5Y2	palmgreen			
	T13	brown/natural					8X8	terracotta			
22	997 555 061 00	rose seat belt lacquered	/L	1			8P9	cocoa			
	A03	black					T13	brown/natural			

Model	Year	MG	SG	Illustration	Restrictions	Update	10:27	18.08.2004	PORSCHE	PET	PORSCHE
997	05	8	07	807-05		179					

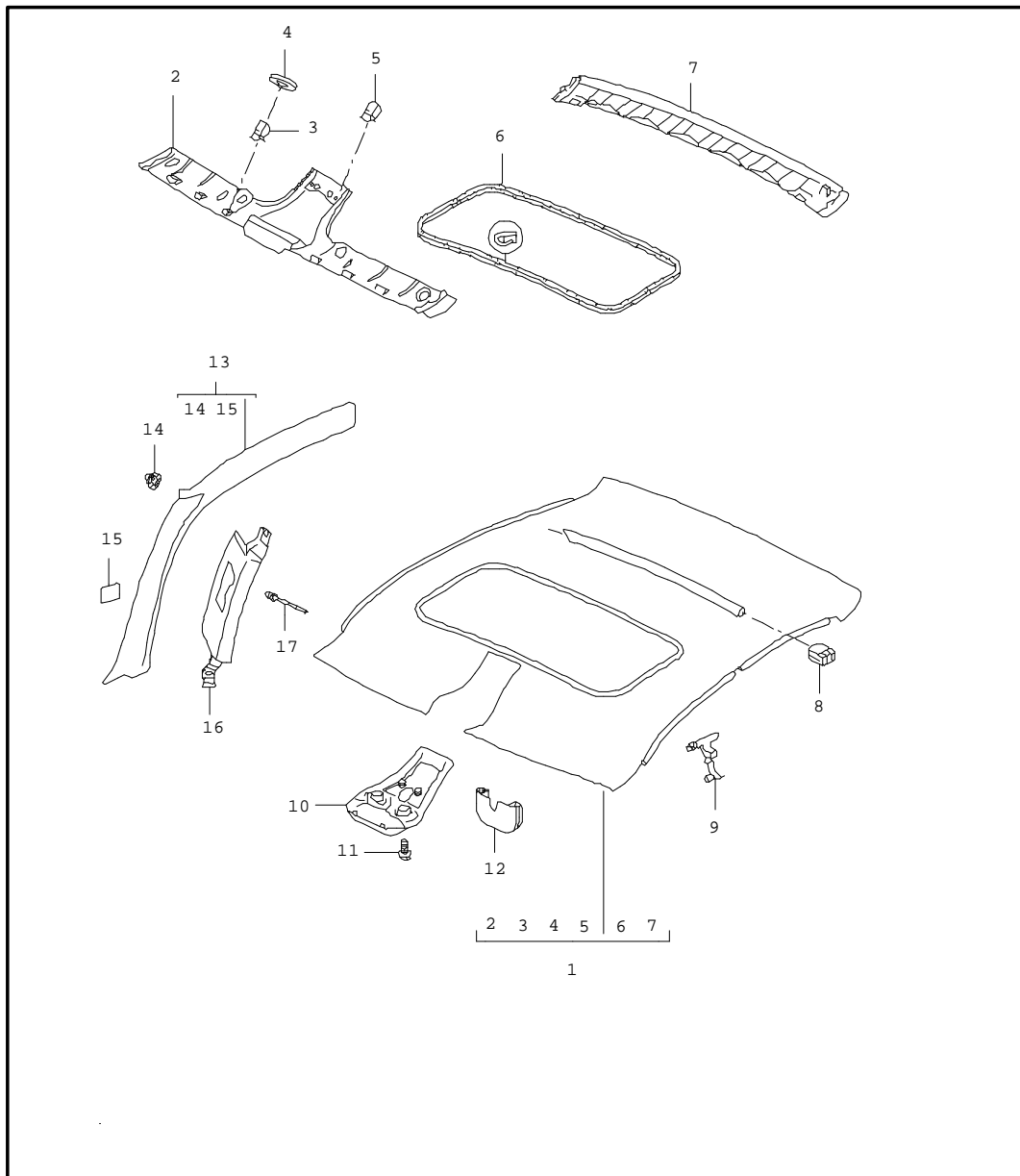
Pos	Part Number	Name	Remarks	Qty	Model	Pos	Part Number	Name	Remarks	Qty	Model
(23)	997 555 574 00	coat hook lacquered	/R	1			M10	terracotta			
	A03	black					R10	cocoa			
	5V7	stone grey					D11	dark grey/natural			
	5Z1	sand beige					T11	brown/natural			
	8W7	sea blue				(25)	997 551 031 01	adhesive carpet rear wall carpet		1	I479
	5Y2	palmgreen					A10	black			
	8X8	terracotta					B10	stone grey			
	8P9	cocoa					T10	sand beige			
	T13	brown/natural					E10	sea blue			
24	997 551 017 00	adhesive carpet seat well carpet		1			J10	palmgreen			
	A10	black					M10	terracotta			
	B10	stone grey					R10	cocoa			
	T10	sand beige					D11	dark grey/natural			
	E10	sea blue					T11	brown/natural			
	J10	palmgreen				(25)	997 551 031 06	adhesive carpet rear wall carpet		1	I680
	M10	terracotta					A10	black			
	R10	cocoa					B10	stone grey			
	D11	dark grey/natural					T10	sand beige			
	T11	brown/natural					E10	sea blue			
(25)	997 551 031 00	adhesive carpet rear wall carpet		1			J10	palmgreen			
	A10	black					M10	terracotta			
	B10	stone grey					R10	cocoa			
	T10	sand beige					D11	dark grey/natural			
	E10	sea blue					T11	brown/natural			
	J10	palmgreen									

Model	Year	MG	SG	Illustration	Restrictions	Update	10:27	18.08.2004	PORSCHE	PET	PORSCHE
997	05	8	07	807-05		179					

Pos	Part Number	Name	Remarks	Qty	Model	Pos	Part Number	Name	Remarks	Qty	Model
(25)	997 551 031 07	adhesive carpet rear wall carpet		1	I479/680		E10	sea blue			
	A10	black					J10	palmgreen			
	B10	stone grey					M10	terracotta			
	T10	sand beige					R10	cocoa			
	E10	sea blue					D11	dark grey/natural			
	J10	palmgreen					T11	brown/natural			
	M10	terracotta				27	996 551 525 00	cover	/L	1	
	R10	cocoa					01C	black			
	D11	dark grey/natural				(27)	996 551 526 00	cover seat-belt buckle	/R	1	
	T11	brown/natural					01C	black			
								- - - E N D - - -			
26	996 551 033 04	lining control units carpet		1							
	A10	black									
	B10	stone grey									
	T10	sand beige									
	E10	sea blue									
	J10	palmgreen									
	M10	terracotta									
	R10	cocoa									
	D11	dark grey/natural									
	T11	brown/natural									
(26)	996 551 033 03	lining control units carpet		1	I680						
	A10	black									
	B10	stone grey									
	T10	sand beige									



Model	Year	MG	SG	Illustration	Restrictions	Update	10:28	18.08.2004	PORSCHE	PET	PORSCHE
997	05	8	07	807-08		179					



Pos	Part Number	Name	Remarks	Qty	Model
1	N 996 555 091 06	rooflining a-pillar alcantara		1	COUPE COUPE COUPE/I652
	A14	black			
	B14	stone grey			
	T44	stone grey			
	G14	metropole blue			
	J44	palmgreen			
1	N 996 555 091 07	rooflining alcantara		1	COUPE/I650
	A14	black			
	B14	stone grey			
	T44	stone grey			
	G14	metropole blue			
	J44	palmgreen			
(1)	N 996 555 982 02	rooflining		1	XMA/I652
	A11	black			
	5X6	stone grey			
	8G2	sand beige			
	3S9	sea blue			
	4P2	palmgreen			
	9S5	terracotta			
	9V6	cocoa			
	D12	dark grey/natural			
	T12	brown/natural			
(1)	N 996 555 982 03	rooflining		1	XMA/I650
	A11	black			
	5X6	stone grey			

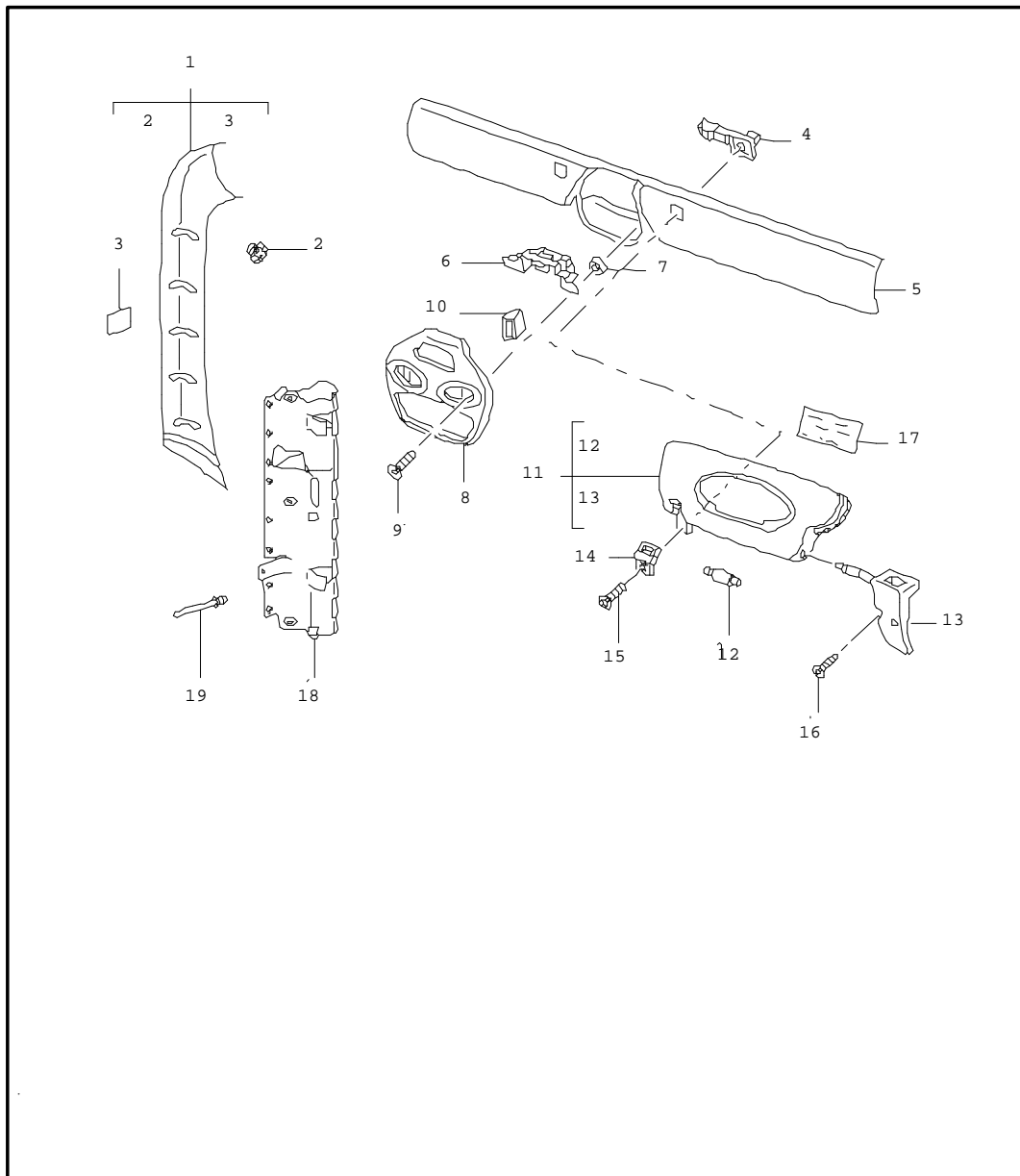
Model	Year	MG	SG	Illustration	Restrictions	Update	10:28	18.08.2004	PORSCHE	PET	PORSCHE
997	05	8	07	807-08		179					

Pos	Part Number	Name	Remarks	Qty	Model	Pos	Part Number	Name	Remarks	Qty	Model
	8G2	sand beige					5Z1	sand beige			
	3S9	sea blue					8W7	sea blue			
	4P2	palmgreen					5Y2	palmgreen			
	9S5	terracotta				10	996 555 557 09	cover interior light		1	COUPE:I 650
	9V6	cocoa					A03	black			
	D12	dark grey/natural					5V7	stone grey			
	T12	brown/natural					5Z1	sand beige			
(2)	996 555 538 08	cover rooflining front		1	COUPE/I652		8W7	sea blue			
2	996 555 538 09	cover rooflining front		1	COUPE/I650		5Y2	palmgreen			
3	999 507 479 09	clamp 2,5/0,9		6	COUPE	11	999 073 061 02	tapping screw 4,8 X 16		2	
4	999 551 609 40	plastic washer 8,0 X 23 X 3,0		6	COUPE	12	996 555 619 00	grommet wiring harness rain sensor		1	
5	999 507 533 02	clamp 8 X 10/2,5		2	COUPE:I 650	(13)	997 555 181 00	lining a-pillar leatherette	/L	1	COUPE
6	996 564 231 02	piping		1	COUPE:I 650		1MZ	black			
(7)	996 555 155 06	cover rooflining rear		1	COUPE/I652		1YP	stone grey			
7	996 555 155 07	cover rooflining rear		1	COUPE/I650		1TK	sand beige			
8	996 555 823 00	support transverse strut		2	COUPE: I650	13	997 555 182 00	lining a-pillar leatherette	/R	1	COUPE
9	996 555 691 02	clip mount rooflining		8	COUPE		1MZ	black			
(10)	996 555 557 08	cover interior light		1	COUPE:I 652		1YP	stone grey			
	A03	black				(13)	997 555 181 01	lining a-pillar leather	/L	1	COUPE: I981
	5V7	stone grey					1TK	sand beige			
							A11	black			
							5X6	stone grey			

Model	Year	MG	SG	Illustration	Restrictions	Update	10:28	18.08.2004	PORSCHE	PET	PORSCHE
997	05	8	07	807-08		179					

Pos	Part Number	Name	Remarks	Qty	Model	Pos	Part Number	Name	Remarks	Qty	Model
	8G2	sand beige									
	3S9	sea blue									
	4P2	palmgreen									
	9S5	terracotta									
	9V6	cocoa									
	D12	dark grey/natural									
	T12	brown/natural									
(13)	997 555 182 01	lining a-pillar leather	/R	1	COUPE: I981						
	A11	black									
	5X6	stone grey									
	8G2	sand beige									
	3S9	sea blue									
	4P2	palmgreen									
	9S5	terracotta									
	9V6	cocoa									
	D12	dark grey/natural									
	T12	brown/natural									
14	999 507 047 09	retaining clip 3,6		5	COUPE						
15	999 551 134 40	adhesive tape 20 X 65		5	COUPE						
(16)	996 555 291 00	protective plate a-pillar	/L	1							
16	996 555 292 00	protective plate a-pillar	/R	1							
17	999 190 167 30	blind rivet 4,0 X 6,3		8							
		- - - E N D - - -									

Model	Year	MG	SG	Illustration	Restrictions	Update	10:28	18.08.2004	PORSCHE	PET	PORSCHE
997	05	8	07	807-09		179					

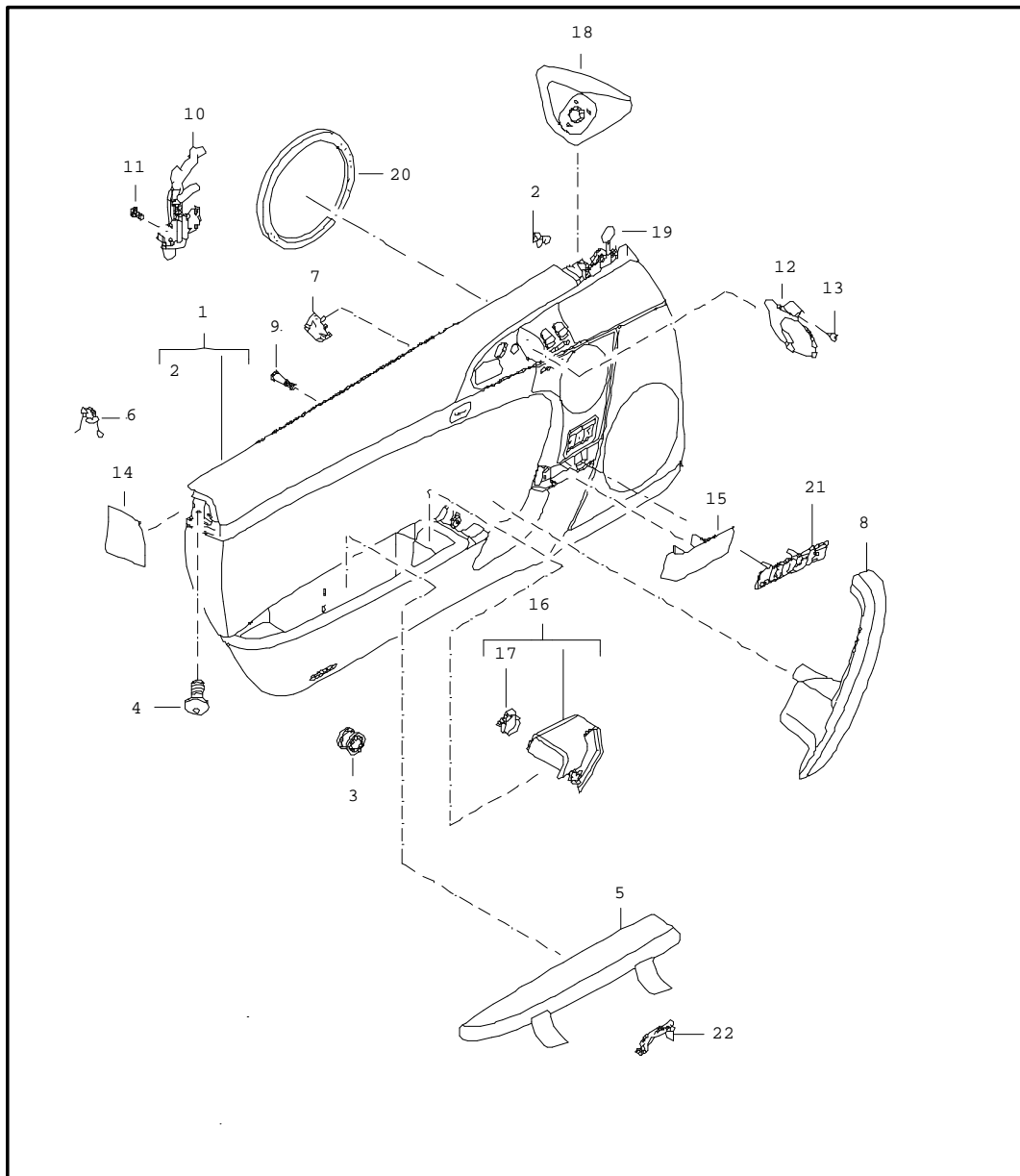


Pos	Part Number	Name	Remarks	Qty	Model
		a-pillar windscreen frame sun visors			CABRIO CABRIO COUPE/CABRIO
4	986 731 541 01	plate for sun visors		2	
(11)	996 731 031 15	sun visor leatherette	/L	1	COUPE
	A12	black			
	8W4	stone grey			
	7E3	sand beige			
	8Z5	sea blue			
	7W3	palmgreen			
(11)	996 731 032 15	sun visor leatherette	/R	1	COUPE
	A12	black			
	8W4	stone grey			
	7E3	sand beige			
	8Z5	sea blue			
	7W3	palmgreen			
(11)	997 731 981 00	sun visor leather	/L	1	COUPE/XMP
	A11	black			
	5X6	stone grey			
	8G2	sand beige			
	3S9	sea blue			
	4P2	palmgreen			
	9S5	terracotta			
	9V6	cocoa			
	D12	dark grey/natural			
	T12	brown/natural			

Model	Year	MG	SG	Illustration	Restrictions	Update	10:28	18.08.2004	PORSCHE	PET	PORSCHE
997	05	8	07	807-09		179					

Pos	Part Number	Name	Remarks	Qty	Model	Pos	Part Number	Name	Remarks	Qty	Model
(11)	997 731 982 00	sun visor leather	/R	1	COUPE/XMP						
	A11	black									
	5X6	stone grey									
	8G2	sand beige									
	3S9	sea blue									
	4P2	palmgreen									
	9S5	terracotta									
	9V6	cocoa									
	D12	dark grey/natural									
	T12	brown/natural									
--	996 731 903 00	mirror housing with illumination		1							
	01C	satin black									
12	999 631 147 90	bulb 3 W		4							
14	996 731 341 00	support sun visor	/L	1							
	01C	satin black									
(14)	996 731 342 00	support sun visor	/R	1							
	01C	satin black									
15	999 919 120 09	oval-head screw 4,0 X 18		1							
(16)	999 073 139 02	oval-head screw M 5 X 25		2	COUPE						
		- - - E N D - - -									

Model	Year	MG	SG	Illustration	Restrictions	Update	10:28	18.08.2004	PORSCHE	PET	PORSCHE
997	05	8	07	807-10		179					



Pos	Part Number	Name	Remarks	Qty	Model
1	997 555 201 04	door trim panel accessories	/LL/L	1	COUPE/I490
	9L4	black			
	9M5	stone grey			
	9C6	sand beige			
	9D7	sea blue			
	9E8	palmgreen			
1	997 555 201 06	door trim panel sound system slush	/LL/L	1	COUPE/I490/ I537
	9L4	black			
	9M5	stone grey			
	9C6	sand beige			
	9D7	sea blue			
	9E8	palmgreen			
(1)	997 555 202 26	door trim panel sound system slush	/LL/R	1	I490
	9L4	black			
	9M5	stone grey			
	9C6	sand beige			
	9D7	sea blue			
	9E8	palmgreen			
(1)	997 555 202 04	door trim panel sound system slush	RL/R	1	COUPE/I490
	9L4	black			
	9M5	stone grey			

Model	Year	MG	SG	Illustration	Restrictions	Update	10:28	18.08.2004	PORSCHE	PET	PORSCHE
997	05	8	07	807-10		179					

Pos	Part Number	Name	Remarks	Qty	Model	Pos	Part Number	Name	Remarks	Qty	Model
		9C6 sand beige				(1)	997 555 201 10	door trim panel	/LL/L	1	COUPE/I680/ I537
		9D7 sea blue						sound system bose slush			
		9E8 palmgreen						9L4 black			
(1)	997 555 202 06	door trim panel	/RL/R	1	COUPE/I490/ I538			9M5 stone grey			
		sound system slush						9C6 sand beige			
		9L4 black						9D7 sea blue			
		9M5 stone grey						9E8 palmgreen			
		9C6 sand beige				(1)	997 555 202 28	door trim panel	/LL/R	1	I680
		9D7 sea blue						sound system bose slush			
		9E8 palmgreen						9L4 black			
(1)	997 555 201 26	door trim panel	RL/L	1	I490			9M5 stone grey			
		sound system slush						9C6 sand beige			
		9L4 black						9D7 sea blue			
		9M5 stone grey						9E8 palmgreen			
		9C6 sand beige				(1)	997 555 202 08	door trim panel	/RL/R	1	COUPE/I680
		9D7 sea blue						sound system bose slush			
		9E8 palmgreen						9L4 black			
(1)	997 555 201 08	door trim panel	/LL/L	1	COUPE/I680			9M5 stone grey			
		sound system bose slush						9C6 sand beige			
		9L4 black						9D7 sea blue			
		9M5 stone grey						9E8 palmgreen			
		9C6 sand beige				(1)	997 555 202 10	door trim panel	/RL/R	1	COUPE/I680/ I538
		9D7 sea blue						sound system bose slush			
		9E8 palmgreen						9L4 black			

Model	Year	MG	SG	Illustration	Restrictions	Update	10:28	18.08.2004	PORSCHE	PET	PORSCHE
997	05	8	07	807-10		179					

Pos	Part Number	Name	Remarks	Qty	Model	Pos	Part Number	Name	Remarks	Qty	Model
	9M5	stone grey					FSC	sand beige/sand beige			
	9C6	sand beige					FSD	seeblue/grey			
	9D7	sea blue					FSE	palm-green/palm-green			
	9E8	palmgreen					FSF	terrakotta/terrakotta			
(1)	997 555 201 28	door trim panel sound system bose slush	/RL/L	1	I680		FSG	cocoa/cocoa			
	9L4	black					FSH	darkgrey natural/grey			
	9M5	stone grey				(1)	997 555 202 27	door trim panel sound system leather	/LL/R	1	I490
	9C6	sand beige					FSA	black/grey			
	9D7	sea blue					FSB	stone grey/stone grey			
	9E8	palmgreen					FSC	sand beige/sand beige			
(1)	997 555 201 05	door trim panel sound system leather	/LL/L	1	COUPE/ I490/981		FSD	seeblue/grey			
	FSA	black/grey					FSE	palm-green/palm-green			
	FSB	stone grey/stone grey					FSF	terrakotta/terrakotta			
	FSC	sand beige/sand beige					FSG	cocoa/cocoa			
	FSD	seeblue/grey					FSH	darkgrey natural/grey			
	FSE	palm-green/palm-green					FSJ	brown nat./brown nat.			
	FSF	terrakotta/terrakotta				(1)	997 555 202 05	door trim panel sound system leather	/RL/R	1	COUPE/ I490/981
	FSG	cocoa/cocoa					FSA	black/grey			
	FSH	darkgrey natural/grey					FSB	stone grey/stone grey			
	FSJ	brown nat./brown nat.					FSC	sand beige/sand beige			
(1)	997 555 201 07	door trim panel sound system leather	/LL/L	1	COUPE/ I490/537/981		FSD	seeblue/grey			
	FSA	black/grey					FSE	palm-green/palm-green			
	FSB	stone grey/stone grey					FSF	terrakotta/terrakotta			
							FSG	cocoa/cocoa			



Model	Year	MG	SG	Illustration	Restrictions	Update	10:28	18.08.2004	PORSCHE	PET	PORSCHE
997	05	8	07	807-10		179					

Pos	Part Number	Name	Remarks	Qty	Model	Pos	Part Number	Name	Remarks	Qty	Model
(1)	997 555 202 07	FSH darkgrey natural/grey	/RL/R	1	COUPE/ I490/538/981	(1)	997 555 201 11	FSA black/grey	/LL/L	1	COUPE/ I537/680
		FSJ brown nat./brown nat.						FSB stone grey/stone grey			
		door trim panel						FSC sand beige/sand beige			
		sound system						FSD seeblue/grey			
		leather						FSE palm-green/palm-green			
		FSA black/grey						FSF terrakotta/terrakotta			
		FSB stone grey/stone grey						FSG cocoa/cocoa			
		FSC sand beige/sand beige						FSH darkgrey natural/grey			
		FSD seeblue/grey						FSJ brown nat./brown nat.			
		FSE palm-green/palm-green						door trim panel			
FSF terrakotta/terrakotta	sound system										
FSG cocoa/cocoa	bose										
FSH darkgrey natural/grey	leather										
FSJ brown nat./brown nat.	FSA black/grey										
(1)	997 555 201 27	door trim panel	/RL/L	1	I490	(1)	997 555 202 29	FSB stone grey/stone grey	/LL/R	1	I680
		sound system						FSC sand beige/sand beige			
		leather						FSD seeblue/grey			
		FSA black/grey						FSE palm-green/palm-green			
		FSB stone grey/stone grey						FSF terrakotta/terrakotta			
		FSC sand beige/sand beige						FSG cocoa/cocoa			
		FSD seeblue/grey						FSH darkgrey natural/grey			
		FSE palm-green/palm-green						FSJ brown nat./brown nat.			
		FSF terrakotta/terrakotta						door trim panel			
		FSG cocoa/cocoa						sound system			
FSH darkgrey natural/grey	bose										
FSJ brown nat./brown nat.	leather										
(1)	997 555 201 09	door trim panel	/LL/L	1	COUPE/I680	(1)		FSA black/grey			
		sound system						FSB stone grey/stone grey			
		bose						FSC sand beige/sand beige			
		leather						FSD seeblue/grey			

Model	Year	MG	SG	Illustration	Restrictions	Update	10:28	18.08.2004	PORSCHE	PET	PORSCHE
997	05	8	07	807-10		179					

Pos	Part Number	Name	Remarks	Qty	Model	Pos	Part Number	Name	Remarks	Qty	Model
	FSE	palm-green/palm-green					FSJ	brown nat./brown nat.			
	FSF	terrakotta/terrakotta				(1)	997 555 201 29	door trim panel sound system bose leather	/RL/L	1	I680
	FSG	cocoa/cocoa					FSA	black/grey			
	FSH	darkgrey natural/grey					FSB	stone grey/stone grey			
	FSJ	brown nat./brown nat.					FSC	sand beige/sand beige			
(1)	997 555 202 09	door trim panel sound system bose leather	/RL/R	1	COUPE/I680		FSD	seeblue/grey			
	FSA	black/grey					FSE	palm-green/palm-green			
	FSB	stone grey/stone grey					FSF	terrakotta/terrakotta			
	FSC	sand beige/sand beige					FSG	cocoa/cocoa			
	FSD	seeblue/grey					FSH	darkgrey natural/grey			
	FSE	palm-green/palm-green					FSJ	brown nat./brown nat.			
	FSF	terrakotta/terrakotta				2	999 507 533 02	clamp 8,0X 10/2,5		2	
	FSG	cocoa/cocoa				3	955 555 243 00	fixing clip for mount door trim panel		9	
	FSH	darkgrey natural/grey				4	999 073 322 02	oval-head screw M 6 X 20 for mount door trim panel		5	
(1)	997 555 202 11	door trim panel sound system bose leather	/RL/R	1	COUPE/ I538/680		5	997 555 221 01	cover shelf leather	/L	1
	FSA	black/grey					FSA	black/grey			
	FSB	stone grey/stone grey					FSB	stone grey/stone grey			
	FSC	sand beige/sand beige					FSC	sand beige/sand beige			
	FSD	seeblue/grey					FSD	seeblue/grey			
	FSE	palm-green/palm-green					FSE	palm-green/palm-green			
	FSF	terrakotta/terrakotta					FSF	terrakotta/terrakotta			
	FSG	cocoa/cocoa									
	FSH	darkgrey natural/grey									

Model	Year	MG	SG	Illustration	Restrictions	Update	10:28	18.08.2004	PORSCHE	PET	PORSCHE
997	05	8	07	807-10		179					

Pos	Part Number	Name	Remarks	Qty	Model	Pos	Part Number	Name	Remarks	Qty	Model
	FSG	cocoa/cocoa				(5)	997 555 990 02	cover shelf	/R	1	XTT
	FSH	darkgrey natural/grey					S61	makassar			
	FSJ	brown nat./brown nat.				(5)	997 555 989 03	cover shelf	/L	1	XTW
(5)	997 555 222 01	cover shelf leather	/R	1			V04	galvano silver			
	FSA	black/grey				(5)	997 555 990 03	cover shelf	/R	1	XTW
	FSB	stone grey/stone grey					V04	galvano silver			
	FSC	sand beige/sand beige				6	997 555 833 00	spring for cover shelf	/L	1	
	FSD	seeblue/grey				(6)	997 555 834 00	spring for cover shelf	/R	1	
	FSE	palm-green/palm-green				7	997 555 841 00	damper shelf		1	
	FSF	terrakotta/terrakotta				8	997 555 161 00	handle complete leather	/L	1	
(5)	997 555 989 00	cover shelf carbon	/L	1	XTL		FSA	black/grey			
	A35	black					FSB	stone grey/stone grey			
(5)	997 555 990 00	cover shelf carbon	/R	1	XTL		FSC	sand beige/sand beige			
	A35	black					FSD	seeblue/grey			
(5)	997 555 989 01	cover shelf	/L	1	XTU		FSE	palm-green/palm-green			
	S62	sycamore wood					FSF	terrakotta/terrakotta			
(5)	997 555 990 01	cover shelf	/R	1	XTU		FSG	cocoa/cocoa			
	S62	sycamore wood					FSH	darkgrey natural/grey			
(5)	997 555 989 02	cover shelf	/L	1	XTT	(8)	997 555 162 00	handle complete leather	/R	1	
	S61	makassar					FSJ	brown nat./brown nat.			

Model	Year	MG	SG	Illustration	Restrictions	Update	10:28	18.08.2004	PORSCHE	PET	PORSCHE
997	05	8	07	807-10		179					

Pos	Part Number	Name	Remarks	Qty	Model	Pos	Part Number	Name	Remarks	Qty	Model
	FSA	black/grey					A03	black			
	FSB	stone grey/stone grey					5V7	stone grey			
	FSC	sand beige/sand beige					5Z1	sand beige			
	FSD	seeblue/grey					8W7	sea blue			
	FSE	palm-green/palm-green					5Y2	palmgreen			
	FSF	terrakotta/terrakotta					8X8	terracotta			
	FSG	cocoa/cocoa					8P9	cocoa			
	FSH	darkgrey natural/grey					T13	brown/natural			
	FSJ	brown nat./brown nat.				(14)	997 555 684 00	cap airbag	/R	1	
9	999 919 229 02	oval-head screw 6,0 X 40,0 for mount handle		2			A03	black			
10	997 555 381 01	mounting for shaft	/L	1			5V7	stone grey			
(10)	997 555 382 01	mounting for shaft	/R	1			5Z1	sand beige			
11	999 919 164 09	oval-head screw 5 X 12 for mount mounting for shaft		3			8W7	sea blue			
12	997 555 461 00	lever door opener	/L	1			5Y2	palmgreen			
	V05	galvano silver					8X8	terracotta			
(12)	997 555 462 00	lever door opener	/R	1			8P9	cocoa			
	V05	galvano silver					T13	brown/natural			
13	999 919 164 09	oval-head screw 5 X 12 for mount lever door opener		1		15	997 555 643 01	cover front lacquered	/L	1	
14	997 555 683 00	cap airbag	/L	1			A03	black			
							5V7	stone grey			
							5Z1	sand beige			
							8W7	sea blue			
							5Y2	palmgreen			
							8X8	terracotta			
							8P9	cocoa			
							T13	brown/natural			

Model	Year	MG	SG	Illustration	Restrictions	Update	10:28	18.08.2004	PORSCHE	PET	PORSCHE
997	05	8	07	807-10		179					

Pos	Part Number	Name	Remarks	Qty	Model	Pos	Part Number	Name	Remarks	Qty	Model
(15)	997 555 644 01	cover front lacquered	/R	1			FSE	palm-green/palm-green			
	A03	black					FSF	terracotta/terracotta			
	5V7	stone grey					FSG	cocoa/cocoa			
	5Z1	sand beige					FSH	darkgrey natural/grey			
	8W7	sea blue					FSJ	brown nat./brown nat. SEEBL			
	5Y2	palmgreen				(16)	997 555 991 00	cover door handle carbon	/L	1	XTL
	8X8	terracotta					A11	black			
	8P9	cocoa					5X6	stone grey			
	T13	brown/natural					8G2	sand beige			
16	997 555 431 01	cover door handle leather	/L	1			3S9	sea blue			
	FSA	black/grey					4P2	palmgreen			
	FSB	stone grey/stone grey					9S5	terracotta			
	FSC	sand beige/sand beige					9V6	cocoa			
	FSD	seeblue/grey					D12	dark grey/natural			
	FSE	palm-green/palm-green					T12	brown/natural			
	FSF	terracotta/terracotta				(16)	997 555 992 00	cover door handle carbon	/R	1	XTL
	FSG	cocoa/cocoa					A11	black			
	FSH	darkgrey natural/grey					5X6	stone grey			
	FSJ	brown nat./brown nat. SEEBL					8G2	sand beige			
(16)	997 555 432 01	cover door handle leather	/R	1			3S9	sea blue			
	FSA	black/grey					4P2	palmgreen			
	FSB	stone grey/stone grey					9S5	terracotta			
	FSC	sand beige/sand beige					9V6	cocoa			
	FSD	seeblue/grey					D12	dark grey/natural			
							T12	brown/natural			

Model	Year	MG	SG	Illustration	Restrictions	Update	10:28	18.08.2004	PORSCHE	PET	PORSCHE
997	05	8	07	807-10		179					

Pos	Part Number	Name	Remarks	Qty	Model	Pos	Part Number	Name	Remarks	Qty	Model
(16)	997 555 991 01	cover door handle sycamore wood	/L	1	XTU		3S9	sea blue			
	A11	black					4P2	palmgreen			
	5X6	stone grey					9S5	terracotta			
	8G2	sand beige					9V6	cocoa			
	3S9	sea blue					D12	dark grey/natural			
	4P2	palmgreen					T12	brown/natural			
	9S5	terracotta				(16)	997 555 992 02	cover door handle makassar	/R	1	XTT
	9V6	cocoa					A11	black			
	D12	dark grey/natural					5X6	stone grey			
	T12	brown/natural					8G2	sand beige			
(16)	997 555 992 01	cover door handle sycamore wood	/R	1	XTU		3S9	sea blue			
	A11	black					4P2	palmgreen			
	5X6	stone grey					9S5	terracotta			
	8G2	sand beige					9V6	cocoa			
	3S9	sea blue					D12	dark grey/natural			
	4P2	palmgreen					T12	brown/natural			
	9S5	terracotta				(16)	997 555 991 03	cover door handle aluminium look	/L	1	XTW
	9V6	cocoa					A11	black			
	D12	dark grey/natural					5X6	stone grey			
	T12	brown/natural					8G2	sand beige			
(16)	997 555 991 02	cover door handle makassar	/L	1	XTT		3S9	sea blue			
	A11	black					4P2	palmgreen			
	5X6	stone grey					9S5	terracotta			
	8G2	sand beige					9V6	cocoa			
							D12	dark grey/natural			

Model	Year	MG	SG	Illustration	Restrictions	Update	10:28	18.08.2004	PORSCHE	PET	PORSCHE
997	05	8	07	807-10		179					

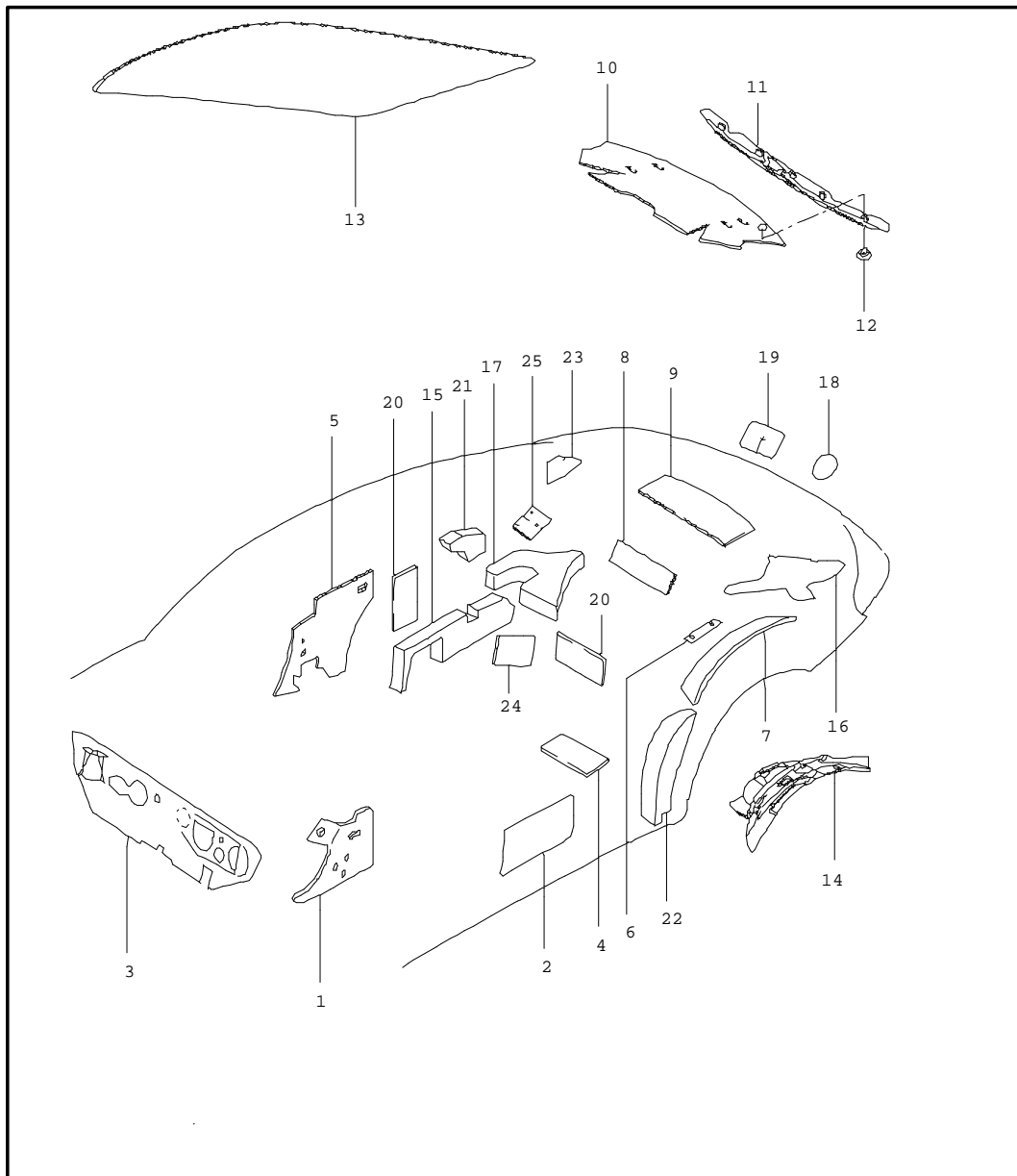
Pos	Part Number	Name	Remarks	Qty	Model	Pos	Part Number	Name	Remarks	Qty	Model
	T12	brown/natural					5V7	stone grey			
(16)	997 555 992 03	cover door handle aluminium look	/R	1	XTW		5Z1	sand beige			
	A11	black					8W7	sea blue			
	5X6	stone grey					5Y2	palmgreen			
	8G2	sand beige					8X8	terracotta			
	3S9	sea blue					8P9	cocoa			
	4P2	palmgreen					T13	brown/natural			
	9S5	terracotta				(18)	997 555 686 02	cover door mirror passenger's side lacquered	/LL	1	I 098
	9V6	cocoa					A03	black			
	D12	dark grey/natural					5V7	stone grey			
	T12	brown/natural					5Z1	sand beige			
17	999 591 380 02	cable clamp		4			8W7	sea blue			
18	997 555 685 02	cover door mirror driver's side lacquered	/LL	1	I 098		5Y2	palmgreen			
	A03	black					8X8	terracotta			
	5V7	stone grey					8P9	cocoa			
	5Z1	sand beige				(18)	997 555 685 03	cover door mirror passenger's side lacquered	/RL	1	I 099
	8W7	sea blue					A03	black			
	5Y2	palmgreen					5V7	stone grey			
	8X8	terracotta					5Z1	sand beige			
	8P9	cocoa					8W7	sea blue			
	T13	brown/natural					5Y2	palmgreen			
(18)	997 555 686 03	cover door mirror driver's side lacquered	/RL	1	I 099		8X8	terracotta			
	A03	black					8P9	cocoa			

Model	Year	MG	SG	Illustration	Restrictions	Update	10:28	18.08.2004	PORSCHE	PET	PORSCHE
997	05	8	07	807-10		179					

Pos	Part Number	Name	Remarks	Qty	Model	Pos	Part Number	Name	Remarks	Qty	Model
	T13	brown/natural									
19	997 555 577 00	cap for handle liner lacquered		1							
	A03	black									
	5V7	stone grey									
	8W7	sea blue									
	5Y2	palmgreen									
	8X8	terracotta									
	8P9	cocoa									
	T13	brown/natural									
20	997 555 895 00	plastic foam strip for woofer		1							
21	997 645 511 00	logo		2	I 680						
22	997 555 597 00	spacer lid hinge		2							
		- - - E N D - - -									



Model	Year	MG	SG	Illustration	Restrictions	Update	10:28	18.08.2004	PORSCHE	PET	PORSCHE
997	05	8	07	807-15		179					

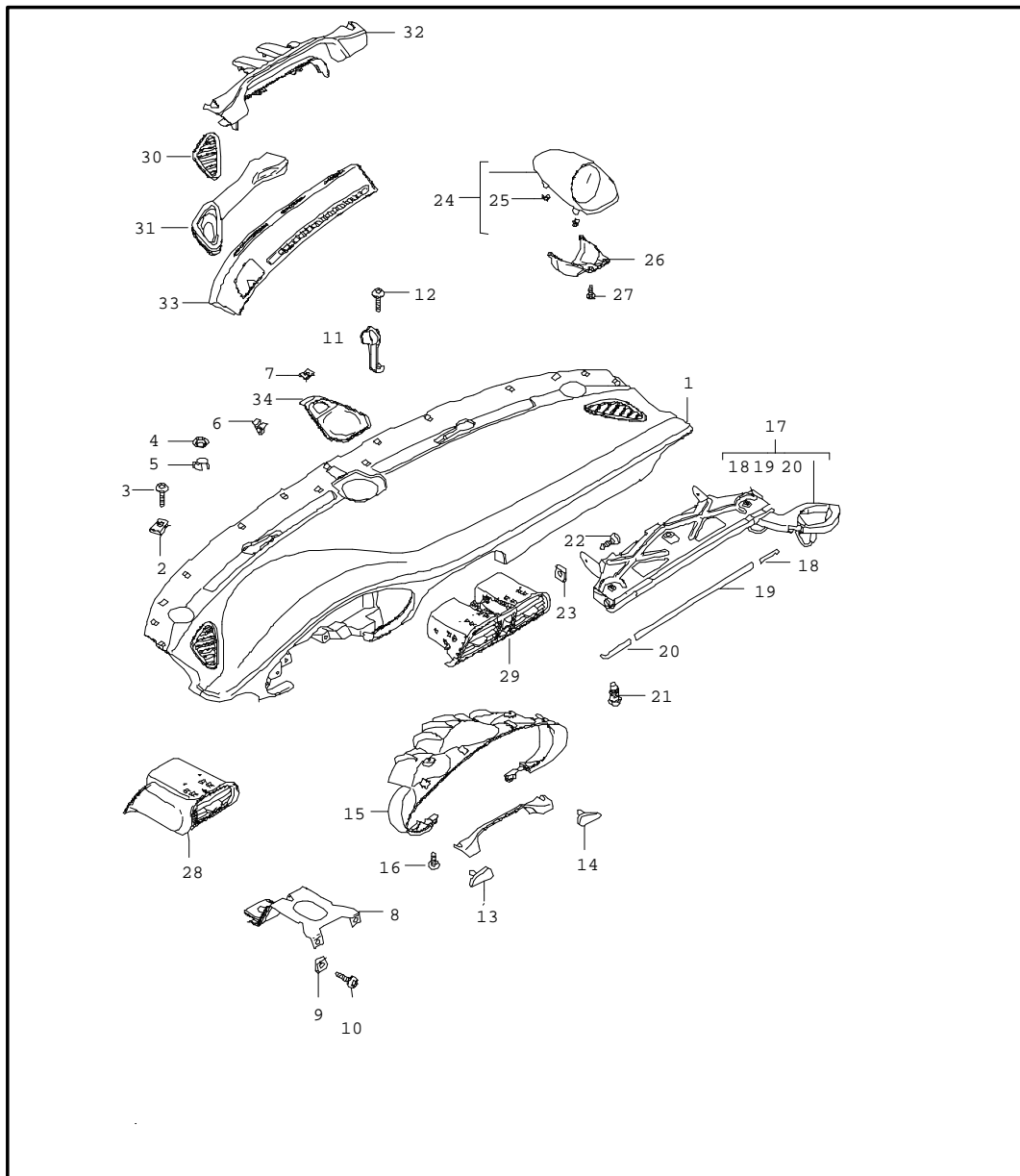


Pos	Part Number	Name	Remarks	Qty	Model
		body sound proofing 1			COUPE
1	997 556 605 00	sound absorber wheel housing front	/L	1	
(1)	997 556 606 00	sound absorber wheel housing front	/R	1	
2	997 556 531 00	insulation door		2	
3	997 556 723 00	sound absorber firewall	/LL	1	I098
(3)	997 556 724 00	sound absorber firewall	/RL	1	I099
4	997 556 503 00	insulation floor		2	
5	997 556 655 00	sound absorber side trim panel	/L	1	
(5)	997 556 656 00	sound absorber side trim panel	/R	1	
6	997 556 523 00	insulation tray		2	
7	997 556 507 00	insulation wheel housing rear	/L	1	
(7)	997 556 508 00	insulation wheel housing rear	/R	1	
8	997 556 511 00	insulation rear wall lower		1	
9	997 556 521 00	sound absorber rear wall upper		1	
10	997 556 711 01	sound absorber engine compartment		1	
11	996 556 761 01	retaining strip engine compartment		1	

Model	Year	MG	SG	Illustration	Restrictions	Update	10:28	18.08.2004	PORSCHE	PET	PORSCHE
997	05	8	07	807-15		179					

Pos	Part Number	Name	Remarks	Qty	Model	Pos	Part Number	Name	Remarks	Qty	Model
12	999 049 020 40	plastic nut T5/30 X 5,1		5		(23)	997 556 620 00	sound absorber air duct	/R	1	
13	997 556 647 00	sound absorber roof		1	I652	24	997 556 617 00	insulation wheel housing rear		1	
14	997 556 657 00	sound absorber wheel-housing liner rear	/L	1		25	997 556 613 00	sound absorber mounting spring strut	/L	1	
(14)	997 556 658 00	sound absorber wheel-housing liner rear	/R	1		(25)	997 556 614 00	sound absorber mounting spring strut	/R	1	
15	997 556 571 01	sound absorber side trim panel		2				- - - E N D - - -			
16	996 556 753 01	seal side section upper	/L	1							
(16)	996 556 754 01	seal side section upper	/R	1							
17	997 556 811 01	filler piece wheel housing	/L	1							
(17)	997 556 812 01	filler piece wheel housing	/R	1							
18	997 556 807 00	sound absorber 40,0 end plate rear end		2							
19	997 556 805 00	sound absorber 120 X 90 end plate rear end		1							
20	997 556 801 00	sound absorber seat well		4							
21	997 556 803 00	filler piece seat well		2							
22	997 556 513 00	sound absorber b-pillar		2							
23	997 556 619 00	sound absorber air duct	/L	1							

Model	Year	MG	SG	Illustration	Restrictions	Update	10:28	18.08.2004	PORSCHE	PET	PORSCHE
997	05	8	09	809-00		179					



Pos	Part Number	Name	Remarks	Qty	Model
1	997 552 101 02	dashboard trim upper part with accessories	/LL	1	
	9L4	black			
	9M5	stone grey			
	9C6	sand beige			
	9D7	sea blue			
	9E8	palmgreen			
(1)	997 552 102 02	dashboard upper part slush	/RL	1	
	9L4	black			
	9M5	stone grey			
	9C6	sand beige			
	9D7	sea blue			
	9E8	palmgreen			
1	997 552 101 04	dashboard upper part slush	/LL	1	I639/I640
	9L4	black			
	9M5	stone grey			
	9C6	sand beige			
	9D7	sea blue			
	9E8	palmgreen			
1	997 552 102 04	dashboard upper part slush	/RL	1	I639/I640
	9L4	black			
	9M5	stone grey			

Model	Year	MG	SG	Illustration	Restrictions	Update	10:28	18.08.2004	PORSCHE	PET	PORSCHE
997	05	8	09	809-00		179					

Pos	Part Number	Name	Remarks	Qty	Model	Pos	Part Number	Name	Remarks	Qty	Model
		9C6 sand beige					FSA	black/grey			
		9D7 sea blue					FSB	stone grey/stone grey			
		9E8 palmgreen					FSC	sand beige/sand beige			
1	997 552 101 03	dashboard upper part leather	/LL	1			FSD	seeblue/grey			
		FSA black/grey					FSE	palm-green/palm-green			
		FSB stone grey/stone grey					FSF	terrakotta/terrakotta			
		FSC sand beige/sand beige					FSG	cocoa/cocoa			
		FSD seeblue/grey					FSH	darkgrey natural/grey			
		FSE palm-green/palm-green				(1)	997 552 102 05	dashboard upper part leather	/RL	1	I639/640/981
		FSF terrakotta/terrakotta					FSA	black/grey			
		FSG cocoa/cocoa					FSB	stone grey/stone grey			
		FSH darkgrey natural/grey					FSC	sand beige/sand beige			
		FSJ brown nat./brown nat.					FSD	seeblue/grey			
(1)	997 552 102 03	dashboard upper part leather	/RL	1			FSE	palm-green/palm-green			
		FSA black/grey					FSF	terrakotta/terrakotta			
		FSB stone grey/stone grey					FSG	cocoa/cocoa			
		FSC sand beige/sand beige					FSH	darkgrey natural/grey			
		FSD seeblue/grey					FSJ	brown nat./brown nat.			
		FSE palm-green/palm-green				2	999 507 971 01	speed nut ST 4,2 for mount dashboard		X	
		FSF terrakotta/terrakotta									
		FSG cocoa/cocoa				3	999 073 155 09	tapping screw ST 4,2 X 13 for mount dashboard		X	
		FSH darkgrey natural/grey									
		FSJ brown nat./brown nat.									
1	997 552 101 05	dashboard upper part leather	/LL	1	I639/640/981						

Model	Year	MG	SG	Illustration	Restrictions	Update	10:28	18.08.2004	PORSCHE	PET	PORSCHE
997	05	8	09	809-00		179					

Pos	Part Number	Name	Remarks	Qty	Model	Pos	Part Number	Name	Remarks	Qty	Model
4	999 507 106 02	clamping washer 8,0 for mount dashboard		X		13	997 552 381 02	moulding driver's side outer	/LL	1	CARRERA S
							V04	galvano silver			
5	999 507 573 02	clamp 6,7 - 8,1 for mount dashboard		X		(13)	997 552 382 02	moulding driver's side outer	/RL	1	CARRERA S
							V04	galvano silver			
6	999 507 732 01	clamp 8,0 X 12,0 /4,0 for mount dashboard		X		13	997 552 381 03	moulding driver's side outer	/LL	1	I801
							S61	makassar			
7	999 507 020 02	speed nut ST 4,2 for mount dashboard		X		(13)	997 552 382 03	moulding driver's side outer	/LL	1	I801
							S61	makassar			
8	997 552 617 00	support dashboard driver's side		1		13	997 552 381 04	moulding driver's side outer	/LL	1	I802
9	999 507 020 02	speed nut ST 4,2		2			S62	sycamore wood			
10	999 073 155 09	tapping screw ST 4,2 X 13		2		(13)	997 552 382 04	moulding driver's side outer	/RL	1	I802
11	997 552 673 00	cover defroster trim		2			S62	sycamore wood			
12	999 073 226 09	tapping screw ST 4,2 X 16		2		13	997 552 381 05	moulding driver's side outer	/LL	1	I803
13	997 552 381 01	moulding driver's side outer	/LL	1	CARRERA		A35	black			
	D07	volcano grey				(13)	997 552 382 05	moulding driver's side outer	/RL	1	I803
(13)	997 552 382 01	moulding driver's side outer	/RL	1	CARRERA		A35	black			
	D07	volcano grey				13	997 552 986 00	moulding driver's side outer	/LL	1	XVP
							All	black			

Model	Year	MG	SG	Illustration	Restrictions	Update	10:28	18.08.2004	PORSCHE	PET	PORSCHE
997	05	8	09	809-00		179					

Pos	Part Number	Name	Remarks	Qty	Model	Pos	Part Number	Name	Remarks	Qty	Model
	5X6	stone grey					V04	galvano silver			
	8G2	sand beige				(14)	997 552 384 02	moulding driver's side centre	/RL	1	CARRERA S
	3S9	sea blue					V04	galvano silver			
	4P2	palmgreen				14	997 552 383 03	moulding driver's side centre	/LL	1	I801
	9S5	terracotta					S61	makassar			
	9V6	cocoa				(14)	997 552 384 03	moulding driver's side centre	/RL	1	I801
	D12	dark grey/natural					S61	makassar			
	T12	brown/natural					S61	makassar			
(13)	997 552 986 01	moulding driver's side outer	/RL	1	XVP		S61	makassar			
	A11	black				14	997 552 383 04	moulding driver's side centre	/LL	1	I802
	5X6	stone grey					S62	sycamore wood			
	8G2	sand beige				(14)	997 552 384 04	moulding driver's side centre	/RL	1	I802
	3S9	sea blue					S62	sycamore wood			
	4P2	palmgreen				14	997 552 383 05	moulding driver's side centre	/LL	1	I803
	9S5	terracotta					A35	black			
	9V6	cocoa				(14)	997 552 384 05	moulding driver's side centre	/RL	1	I803
	D12	dark grey/natural					A35	black			
	T12	brown/natural					A35	black			
14	997 552 383 01	moulding driver's side centre	/LL	1	CARRERA	(14)	997 552 384 05	moulding driver's side centre	/RL	1	I803
	D07	volcano grey					A35	black			
(14)	997 552 384 01	moulding driver's side centre	/RL	1	CARRERA	14	997 552 987 00	moulding driver's side centre	/LL	1	XVP
	D07	volcano grey					A11	black			
14	997 552 383 02	moulding driver's side centre	/LL	1	CARRERA S		5X6	stone grey			
							8G2	sand beige			

Model	Year	MG	SG	Illustration	Restrictions	Update	10:28	18.08.2004	PORSCHE	PET	PORSCHE
997	05	8	09	809-00		179					

Pos	Part Number	Name	Remarks	Qty	Model	Pos	Part Number	Name	Remarks	Qty	Model
	3S9	sea blue				(15)	997 552 326 01	cover instrument cluster	/RL	1	
	4P2	palmgreen					A03	black			
	9S5	terracotta					5V7	stone grey			
	9V6	cocoa					5Z1	sand beige			
	D12	dark grey/natural					8W7	sea blue			
	T12	brown/natural					5Y2	palmgreen			
(14)	997 552 987 01	moulding driver's side centre	/RL	1	XVP		8X8	terracotta			
	A11	black					8P9	cocoa			
	5X6	stone grey					T13	brown/natural			
	8G2	sand beige				15	997 552 989 00	cover instrument cluster	/LL	1	XNG
	3S9	sea blue					A11	black			
	4P2	palmgreen					5X6	stone grey			
	9S5	terracotta					8G2	sand beige			
	9V6	cocoa					3S9	sea blue			
	D12	dark grey/natural					4P2	palmgreen			
	T12	brown/natural					9S5	terracotta			
15	997 552 325 01	cover instrument cluster	/LL	1			9V6	cocoa			
	A03	black					D12	dark grey/natural			
	5V7	stone grey					T12	brown/natural			
	5Z1	sand beige				(15)	997 552 989 01	cover instrument cluster	/RL	1	XNG
	8W7	sea blue					A11	black			
	5Y2	palmgreen					5X6	stone grey			
	8X8	terracotta					8G2	sand beige			
	8P9	cocoa					3S9	sea blue			
	T13	brown/natural					4P2	palmgreen			
							9S5	terracotta			

Model	Year	MG	SG	Illustration	Restrictions	Update	10:28	18.08.2004	PORSCHE	PET	PORSCHE
997	05	8	09	809-00		179					

Pos	Part Number	Name	Remarks	Qty	Model	Pos	Part Number	Name	Remarks	Qty	Model
	9V6	cocoa				17	997 552 174 04	support complete	/LL	1	I802
	D12	dark grey/natural					S62	sycamore wood			
	T12	brown/natural				(17)	997 552 173 04	support complete	/RL	1	I802
15	997 552 989 02	cover instrument cluster	/LL	1	XCL		S62	sycamore wood			
	V04	galvano silver				17	997 552 174 05	support beverages complete	/LL	1	I803
(15)	997 552 989 03	cover instrument cluster	/RL	1	XCL		A35	black			
	V04	galvano silver				(17)	997 552 173 05	support beverages complete	/RL	1	I803
16	999 073 155 09	tapping screw ST 4,2 X 13		2			A35	black			
17	997 552 174 01	support beverages complete	/LL	1	CARRERA		997 552 988 00	support beverages complete	/LL	1	XVP
	D07	volcano grey					A11	black			
(17)	997 552 173 01	support beverages complete	/RL	1	CARRERA		5X6	stone grey			
	D07	volcano grey					8G2	sand beige			
17	997 552 174 02	support beverages complete	/LL	1	CARRERA S		3S9	sea blue			
	V04	galvano silver					4P2	palmgreen			
(17)	997 552 173 02	support beverages complete	/RL	1	CARRERA S		9S5	terracotta			
	V04	galvano silver					9V6	cocoa			
17	997 552 174 03	support complete	/LL	1	I801		D12	dark grey/natural			
	S61	makassar				(17)	997 552 988 01	support beverages complete	/RL	1	XVP
	S61	makassar					T12	brown/natural			
(17)	997 552 173 03	support complete	/RL	1	I801		A11	black			
	S61	makassar					5X6	stone grey			
	S61	makassar					8G2	sand beige			



Model	Year	MG	SG	Illustration	Restrictions	Update	10:28	18.08.2004	PORSCHE	PET	PORSCHE
997	05	8	09	809-00		179					

Pos	Part Number	Name	Remarks	Qty	Model	Pos	Part Number	Name	Remarks	Qty	Model
	3S9	sea blue				(18)	997 552 393 04	cover support beverages	/RL/L	1	I802
	4P2	palmgreen					S62	sycamore wood			
	9S5	terracotta				18	997 552 394 05	cover support beverages	/LL/L	1	I803
	9V6	cocoa					A35	black			
	D12	dark grey/natural				(18)	997 552 393 05	cover support beverages	/RL/L	1	I803
	T12	brown/natural					A35	black			
18	997 552 394 01	cover support beverages	/LL/L	1	CARRERA	(18)	997 552 393 05	cover support beverages	/RL/L	1	I803
	D07	volcano grey					A35	black			
(18)	997 552 393 01	cover support beverages	/RL/L	1	CARRERA	19	997 552 398 00	cover support beverages centre	/LL	1	CARRERA
	D07	volcano grey					D07	volcano grey			
18	997 552 394 02	cover support beverages	/LL/L	1	CARRERA S	(19)	997 552 397 00	cover support beverages centre	/RL	1	CARRERA
	V04	galvano silver					D07	volcano grey			
(18)	997 552 393 02	cover support beverages	/RL/L	1	CARRERA S	19	997 552 398 01	cover support beverages centre	/LL	1	CARRERA S
	V04	galvano silver					V04	galvano silver			
18	997 552 394 03	cover support beverages	/LL/L	1	I801	(19)	997 552 397 01	cover support beverages centre	/RL	1	CARRERA S
	S61	makassar					V04	galvano silver			
(18)	997 552 393 03	cover support beverages	/RL/L	1	I801	19	997 552 398 02	cover support beverages centre	/LL	1	I801
	S61	makassar					S61	makassar			
18	997 552 394 04	cover support beverages	/LL/L	1	I802						
	S62	sycamore wood									

Model	Year	MG	SG	Illustration	Restrictions	Update	10:28	18.08.2004	PORSCHE	PET	PORSCHE
997	05	8	09	809-00		179					

Pos	Part Number	Name	Remarks	Qty	Model	Pos	Part Number	Name	Remarks	Qty	Model
(19)	997 552 397 02	cover support beverages centre	/RL	1	I801	(20)	997 552 395 02	cover support beverages	/RL/R	1	CARRERA S
	S61	makassar					V04	galvano silver			
19	997 552 398 03	cover support beverages centre	/LL	1	I802	20	997 552 396 03	cover support beverages	/LL/R	1	I801
	S62	sycamore wood					S61	makassar			
(19)	997 552 397 03	cover support beverages centre	/RL	1	I802	(20)	997 552 395 03	cover support beverages	/RL/R	1	I801
	S62	sycamore wood					S61	makassar			
19	997 552 398 04	cover support beverages centre	/LL	1	I803	20	997 552 396 04	cover support beverages	/LL/R	1	I802
	A35	black					S62	sycamore wood			
(19)	997 552 397 04	cover support beverages centre	/RL	1	I803	(20)	997 552 395 04	cover support beverages	/RL/R	1	I802
	A35	black					S62	sycamore wood			
20	997 552 396 01	cover support beverages	/LL/R	1	CARRERA	20	997 552 396 05	cover support beverages	/LL/R	1	I803
	D07	volcano grey					A35	black			
(20)	997 552 395 01	cover support beverages	/RL/R	1	CARRERA	(20)	997 552 395 05	cover support beverages	/RL/R	1	I803
	D07	volcano grey					A35	black			
20	997 552 396 02	cover support beverages	/LL/R	1	CARRERA S	22	999 073 155 09	tapping screw 4,2 X 13		2	
	V04	galvano silver				23	999 507 971 01	speed nut 4,2		2	
						24	997 552 371 00	air box upper part		1	I639/I640
							A03	black			
							5V7	stone grey			

Model	Year	MG	SG	Illustration	Restrictions	Update	10:28	18.08.2004	PORSCHE	PET	PORSCHE
997	05	8	09	809-00		179					

Pos	Part Number	Name	Remarks	Qty	Model	Pos	Part Number	Name	Remarks	Qty	Model
	5Z1	sand beige				(28)	997 552 132 02	side vent	/R	1	CARRERA S
	8W7	sea blue					V04	galvano silver			
	5Y2	palmgreen				28	997 552 981 00	side vent	/L	1	XN3
(24)	997 552 371 01	air box upper part		1	I639/640/981		A11	black			
	A11	black					5X6	stone grey			
	5X6	stone grey					8G2	sand beige			
	8G2	sand beige					3S9	sea blue			
	3S9	sea blue					4P2	palmgreen			
	4P2	palmgreen					9S5	terracotta			
	9S5	terracotta					9V6	cocoa			
	9V6	cocoa					D12	dark grey/natural			
	D12	dark grey/natural					T12	brown/natural			
	T12	brown/natural				(28)	997 552 982 00	side vent	/R	1	XN3
25	999 507 920 01	u-clamp 1,7-2,1		4	I639/640		A11	black			
26	997 552 373 00	support for air box upper part		1	I 639/640		5X6	stone grey			
							8G2	sand beige			
27	999 919 167 09	oval-head screw 3,0 X 10 for mount support air box		4			3S9	sea blue			
							4P2	palmgreen			
							9S5	terracotta			
							9V6	cocoa			
							D12	dark grey/natural			
28	997 552 131 01	side vent	/L	1	CARRERA		T12	brown/natural			
	D07	volcano grey				28	997 552 981 01	side vent	/L	1	XKD
(28)	997 552 132 01	side vent	/R	1	CARRERA		A11	black			
	D07	volcano grey					5X6	stone grey			
28	997 552 131 02	side vent	/L	1	CARRERA S		8G2	sand beige			
	V04	galvano silver					3S9	sea blue			

Model	Year	MG	SG	Illustration	Restrictions	Update	10:28	18.08.2004	PORSCHE	PET	PORSCHE
997	05	8	09	809-00		179					

Pos	Part Number	Name	Remarks	Qty	Model	Pos	Part Number	Name	Remarks	Qty	Model
	4P2	palmgreen					5X6	stone grey			
	9S5	terracotta					8G2	sand beige			
	9V6	cocoa					3S9	sea blue			
	D12	dark grey/natural					4P2	palmgreen			
	T12	brown/natural					9S5	terracotta			
(28)	997 552 982 01	side vent	/R	1	XKD		9V6	cocoa			
	A11	black					D12	dark grey/natural			
	5X6	stone grey					T12	brown/natural			
	8G2	sand beige				28	997 552 981 03	side vent	/L	1	XJL
	3S9	sea blue					A11	black			
	4P2	palmgreen					5X6	stone grey			
	9S5	terracotta					8G2	sand beige			
	9V6	cocoa					3S9	sea blue			
	D12	dark grey/natural					4P2	palmgreen			
	T12	brown/natural					9S5	terracotta			
28	997 552 981 02	side vent	/L	1	XJM		9V6	cocoa			
	A11	black					D12	dark grey/natural			
	5X6	stone grey					T12	brown/natural			
	8G2	sand beige				(28)	997 552 982 03	side vent	/R	1	XJL
	3S9	sea blue					A11	black			
	4P2	palmgreen					5X6	stone grey			
	9S5	terracotta					8G2	sand beige			
	9V6	cocoa					3S9	sea blue			
	D12	dark grey/natural					4P2	palmgreen			
	T12	brown/natural					9S5	terracotta			
(28)	997 552 982 02	side vent	/R	1	XJM		9V6	cocoa			
	A11	black					D12	dark grey/natural			

Model	Year	MG	SG	Illustration	Restrictions	Update	10:28	18.08.2004	PORSCHE	PET	PORSCHE
997	05	8	09	809-00		179					

Pos	Part Number	Name	Remarks	Qty	Model	Pos	Part Number	Name	Remarks	Qty	Model
	T12	brown/natural					5X6	stone grey			
28	997 552 981 04	side vent	/L	1	XCN		8G2	sand beige			
	A11	black					3S9	sea blue			
	5X6	stone grey					4P2	palmgreen			
	8G2	sand beige					9S5	terracotta			
	3S9	sea blue					9V6	cocoa			
	4P2	palmgreen					D12	dark grey/natural			
	9S5	terracotta					T12	brown/natural			
	9V6	cocoa				(29)	997 552 980 01	centre nozzle		1	XZB
	D12	dark grey/natural					A11	black			
(28)	997 552 982 04	side vent	/R	1	XCN		5X6	stone grey			
	A11	black					8G2	sand beige			
	5X6	stone grey					3S9	sea blue			
	8G2	sand beige					4P2	palmgreen			
	3S9	sea blue					9S5	terracotta			
	4P2	palmgreen					9V6	cocoa			
	9S5	terracotta					D12	dark grey/natural			
	9V6	cocoa				(29)	997 552 980 02	centre nozzle		1	XJP
	D12	dark grey/natural					A11	black			
	T12	brown/natural					5X6	stone grey			
29	997 552 141 01	centre nozzle		1	CARRERA		8G2	sand beige			
	D07	volcano grey					3S9	sea blue			
(29)	997 552 141 02	centre nozzle		1	CARRERA S		4P2	palmgreen			
	V04	galvano silver					9S5	terracotta			
(29)	997 552 980 00	centre nozzle		1	XVM		9V6	cocoa			
	A11	black					D12	dark grey/natural			

Model	Year	MG	SG	Illustration	Restrictions	Update	10:28	18.08.2004	PORSCHE	PET	PORSCHE
997	05	8	09	809-00		179					

Pos	Part Number	Name	Remarks	Qty	Model	Pos	Part Number	Name	Remarks	Qty	Model
	T12	brown/natural					8X8	terracotta			
(29)	997 552 980 03	centre nozzle		1	XJN		8P9	cocoa			
	A11	black					T13	brown/natural			
	5X6	stone grey				(30)	997 552 456 01	cover defroster vent	/R	1	
	8G2	sand beige					A03	black			
	3S9	sea blue					5V7	stone grey			
	4P2	palmgreen					5Z1	sand beige			
	9S5	terracotta					8W7	sea blue			
	9V6	cocoa					5Y2	palmgreen			
	D12	dark grey/natural					8X8	terracotta			
	T12	brown/natural					8P9	cocoa			
(29)	997 552 980 04	centre nozzle		1	XCY		T13	brown/natural			
	A11	black				31	997 552 315 01	air duct lateral	/L	1	
	5X6	stone grey				(31)	997 552 316 01	air duct lateral	/R	1	
	8G2	sand beige					32	997 552 271 01	bridge		1
	3S9	sea blue					A03	black			
	4P2	palmgreen					5V7	stone grey			
	9S5	terracotta					5Z1	sand beige			
	9V6	cocoa					8W7	sea blue			
	D12	dark grey/natural					5Y2	palmgreen			
	T12	brown/natural					8X8	terracotta			
30	997 552 455 01	cover defroster vent	/L	1			8P9	cocoa			
	A03	black					T13	brown/natural			
	5V7	stone grey					33	997 552 175 01	defroster trim	/L	1
	5Z1	sand beige					A03	black			
	8W7	sea blue					5V7	stone grey			
	5Y2	palmgreen									

Model	Year	MG	SG	Illustration	Restrictions	Update	10:28	18.08.2004	PORSCHE	PET	PORSCHE
997	05	8	09	809-00		179					

Pos	Part Number	Name	Remarks	Qty	Model	Pos	Part Number	Name	Remarks	Qty	Model
	5Z1	sand beige					5X6	stone grey			
	8W7	sea blue					8G2	sand beige			
	5Y2	palmgreen					3S9	sea blue			
	8X8	terracotta					4P2	palmgreen			
	8P9	cocoa					9S5	terracotta			
	T13	brown/natural					9V6	cocoa			
(33)	997 552 176 01	defroster trim	/R	1			D12	dark grey/natural			
	A03	black					T12	brown/natural			
	5V7	stone grey				33	997 552 983 01	defroster trim	/L	1	XXJ
	5Z1	sand beige					A11	black			
	8W7	sea blue					5X6	stone grey			
	5Y2	palmgreen					8G2	sand beige			
	8X8	terracotta					3S9	sea blue			
	8P9	cocoa					4P2	palmgreen			
	T13	brown/natural					9S5	terracotta			
33	997 552 983 00	defroster trim	/L	1	XV1		9V6	cocoa			
	A11	black					D12	dark grey/natural			
	5X6	stone grey					T12	brown/natural			
	8G2	sand beige				(33)	997 552 984 01	defroster trim	/R	1	XXJ
	3S9	sea blue					A11	black			
	4P2	palmgreen					5X6	stone grey			
	9S5	terracotta					8G2	sand beige			
	9V6	cocoa					3S9	sea blue			
	D12	dark grey/natural					4P2	palmgreen			
	T12	brown/natural					9S5	terracotta			
(33)	997 552 984 00	defroster trim	/R	1	XV1		9V6	cocoa			
	A11	black					D12	dark grey/natural			

Model	Year	MG	SG	Illustration	Restrictions	Update	10:29	18.08.2004	PORSCHE	PET	PORSCHE
997	05	8	09	809-00		179					

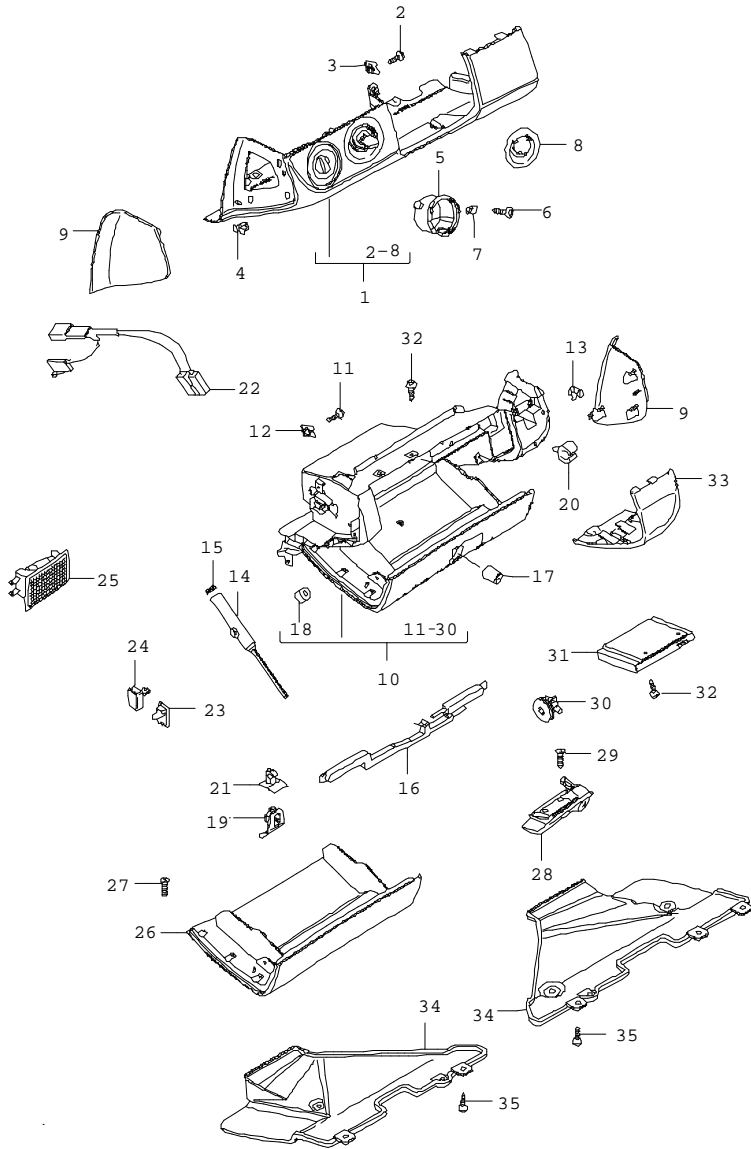
Pos	Part Number	Name	Remarks	Qty	Model	Pos	Part Number	Name	Remarks	Qty	Model
	T12	brown/natural					9S5	terracotta			
33	997 552 983 02	defroster trim	/L	1	XJS		9V6	cocoa			
	A11	black					D12	dark grey/natural			
	5X6	stone grey					T12	brown/natural			
	8G2	sand beige				(33)	997 552 984 03	defroster trim	/R	1	XJR
	3S9	sea blue					A11	black			
	4P2	palmgreen					5X6	stone grey			
	9S5	terracotta					8G2	sand beige			
	9V6	cocoa					3S9	sea blue			
	D12	dark grey/natural					4P2	palmgreen			
(33)	997 552 984 02	defroster trim	/R	1	XJS		9S5	terracotta			
	A11	black					9V6	cocoa			
	5X6	stone grey					D12	dark grey/natural			
	8G2	sand beige					T12	brown/natural			
	3S9	sea blue				34	997 552 351 01	cover centre		1	
	4P2	palmgreen					A03	black			
	9S5	terracotta					5V7	stone grey			
	9V6	cocoa					5Z1	sand beige			
	D12	dark grey/natural					8W7	sea blue			
	T12	brown/natural					5Y2	palmgreen			
33	997 552 983 03	defroster trim	/L	1	XJR		8X8	terracotta			
	A11	black					8P9	cocoa			
	5X6	stone grey					T13	brown/natural			
	8G2	sand beige				(34)	997 552 985 00	cover centre		1	XV1
	3S9	sea blue					A11	black			
	4P2	palmgreen					5X6	stone grey			



Model	Year	MG	SG	Illustration	Restrictions	Update	10:29	18.08.2004	PORSCHE	PET	PORSCHE
997	05	8	09	809-00		179					

Pos	Part Number	Name	Remarks	Qty	Model	Pos	Part Number	Name	Remarks	Qty	Model
	8G2	sand beige					T12	brown/natural			
	3S9	sea blue				(34)	997 552 985 00	cover centre		1	XJR
	4P2	palmgreen					A11	black			
	9S5	terracotta					5X6	stone grey			
	9V6	cocoa					8G2	sand beige			
	D12	dark grey/natural					3S9	sea blue			
	T12	brown/natural					4P2	palmgreen			
(34)	997 552 985 00	cover centre		1	XXJ		9S5	terracotta			
	A11	black					9V6	cocoa			
	5X6	stone grey					D12	dark grey/natural			
	8G2	sand beige					T12	brown/natural			
	3S9	sea blue						- - - E N D - - -			
	4P2	palmgreen									
	9S5	terracotta									
	9V6	cocoa									
	D12	dark grey/natural									
	T12	brown/natural									
(34)	997 552 985 00	cover centre		1	XJS						
	A11	black									
	5X6	stone grey									
	8G2	sand beige									
	3S9	sea blue									
	4P2	palmgreen									
	9S5	terracotta									
	9V6	cocoa									
	D12	dark grey/natural									

Model	Year	MG	SG	Illustration	Restrictions	Update	10:29	18.08.2004	PORSCHE	PET	PORSCHE
997	05	8	09	809-03		179					



Pos	Part Number	Name	Remarks	Qty	Model
1	997 552 201 02	glove compartment cover and lining driver's side lining leatherette 1MZ black 1YP stone grey 1TK sand beige 1VM sea blue 1UL palmgreen	/LL	1	
(1)	997 552 202 02	lining leatherette 1MZ black 1YP stone grey 1TK sand beige 1VM sea blue 1UL palmgreen	/RL	1	
1	997 552 201 03	lining leather A11 black 5X6 stone grey 8G2 sand beige 3S9 sea blue 4P2 palmgreen 9S5 terracotta 9V6 cocoa D12 dark grey/natural T12 brown/natural	/LL	1	

Model	Year	MG	SG	Illustration	Restrictions	Update	10:29	18.08.2004	PORSCHE	PET	PORSCHE
997	05	8	09	809-03		179					

Pos	Part Number	Name	Remarks	Qty	Model	Pos	Part Number	Name	Remarks	Qty	Model
(1)	997 552 202 03	lining leather	/RL	1			8P9	cocoa			
	A11	black					T13	brown/natural			
	5X6	stone grey				6	999 073 155 09	tapping screw 4,2 X 13 for mount cover light switch		3	
	8G2	sand beige									
	3S9	sea blue									
	4P2	palmgreen				7	999 507 971 01	speed nut 4,2 for mount cover light switch		3	
	9S5	terracotta									
	9V6	cocoa									
	D12	dark grey/natural									
	T12	brown/natural				8	997 552 425 01	cover ignition starter lock	/LL	1	
2	999 073 155 09	tapping screw 4,2 X 13 for mount lining		8			A03	black			
							5V7	stone grey			
							5Z1	sand beige			
3	999 507 971 01	speed nut 4,2 for mount lining		8			8W7	sea blue			
							5Y2	palmgreen			
							8X8	terracotta			
4	999 507 732 01	clamp 8 X 12/ 4 for mount lining		7			8P9	cocoa			
							T13	brown/natural			
5	997 552 427 01	cover light switch		1		(8)	997 552 426 01	cover ignition starter lock	/RL	1	
	A03	black					A03	black			
	5V7	stone grey					5V7	stone grey			
	5Z1	sand beige					5Z1	sand beige			
	8W7	sea blue					8W7	sea blue			
	5Y2	palmgreen					5Y2	palmgreen			
	8X8	terracotta					8X8	terracotta			
							8P9	cocoa			

Model	Year	MG	SG	Illustration	Restrictions	Update	10:29	18.08.2004	PORSCHE	PET	PORSCHE
997	05	8	09	809-03		179					

Pos	Part Number	Name	Remarks	Qty	Model	Pos	Part Number	Name	Remarks	Qty	Model
	T13	brown/natural				(10)	997 552 203 02	glove compartment leatherette complete	/RL	1	
9	997 552 405 02	cover	/L	1			1MZ	black			
	A03	black					1YP	stone grey			
	5V7	stone grey					1TK	sand beige			
	5Z1	sand beige					1VM	sea blue			
	8W7	sea blue					1UL	palmgreen			
	5Y2	palmgreen				10	997 552 204 03	glove compartment leather complete	/LL	1	
	8X8	terracotta					A11	black			
	8P9	cocoa					5X6	stone grey			
(9)	997 552 406 02	cover lateral driver's side	/R	1			8G2	sand beige			
	A03	black					3S9	sea blue			
	5V7	stone grey					4P2	palmgreen			
	5Z1	sand beige					9S5	terracotta			
	8W7	sea blue					9V6	cocoa			
	5Y2	palmgreen					D12	dark grey/natural			
	8X8	terracotta					T12	brown/natural			
	8P9	cocoa				(10)	997 552 203 03	glove compartment leather complete	/RL	1	
	T13	brown/natural					A11	black			
10	997 552 204 02	glove compartment leatherette complete	/LL	1			5X6	stone grey			
	1MZ	black					8G2	sand beige			
	1YP	stone grey					3S9	sea blue			
	1TK	sand beige					4P2	palmgreen			
	1VM	sea blue					9S5	terracotta			
	1UL	palmgreen					9V6	cocoa			

Model	Year	MG	SG	Illustration	Restrictions	Update	10:29	18.08.2004	PORSCHE	PET	PORSCHE
997	05	8	09	809-03		179					

Pos	Part Number	Name	Remarks	Qty	Model	Pos	Part Number	Name	Remarks	Qty	Model
	D12	dark grey/natural				21	996 552 879 00	adapter for damper		2	
	T12	brown/natural									
11	999 073 155 09	tapping screw 4,2 X 13 for mount glove compartment		X		22	997 612 651 00	wiring harness glove compartment light		1	
12	999 507 971 01	speed nut 4,2 for mount glove compartment		X		23	999 650 564 40	clip for wiring harness microswitch		1	
13	999 507 732 01	clamp 8 X 12 /4 for mount glove compartment		X		24	999 650 565 40	clip for wiring harness		1	
14	997 552 484 01	damper glove compartment		1		25	997 632 071 00	glove compartment light		1	
15	997 552 612 00	cover damper		1		26	997 552 252 02	glove box cover leatherette	/LL	1	
16	997 552 410 01	release glove compartment	/LL	1			1MZ	black			
(16)	997 552 409 01	release glove compartment	/RL	1			1YP	stone grey			
18	997 555 533 01	stop glove compartment		2			1TK	sand beige			
19	997 552 509 02	mounting end plate	/LL/L	1			1VM	sea blue			
(19)	997 552 510 02	mounting end plate	/LL/R	1			1UL	palmgreen			
(19)	997 552 509 03	mounting end plate	/RL/L	1		(26)	997 552 251 02	glove box cover leatherette	/RL	1	
(19)	997 552 510 03	mounting end plate	/RL/R	1			1MZ	black			
20	996 552 813 00	support pin		2			1YP	stone grey			
							1TK	sand beige			
							1VM	sea blue			
							1UL	palmgreen			
						26	997 552 252 03	glove box cover leather	/LL	1	I981
							A11	black			
							5X6	stone grey			
							8G2	sand beige			
							3S9	sea blue			

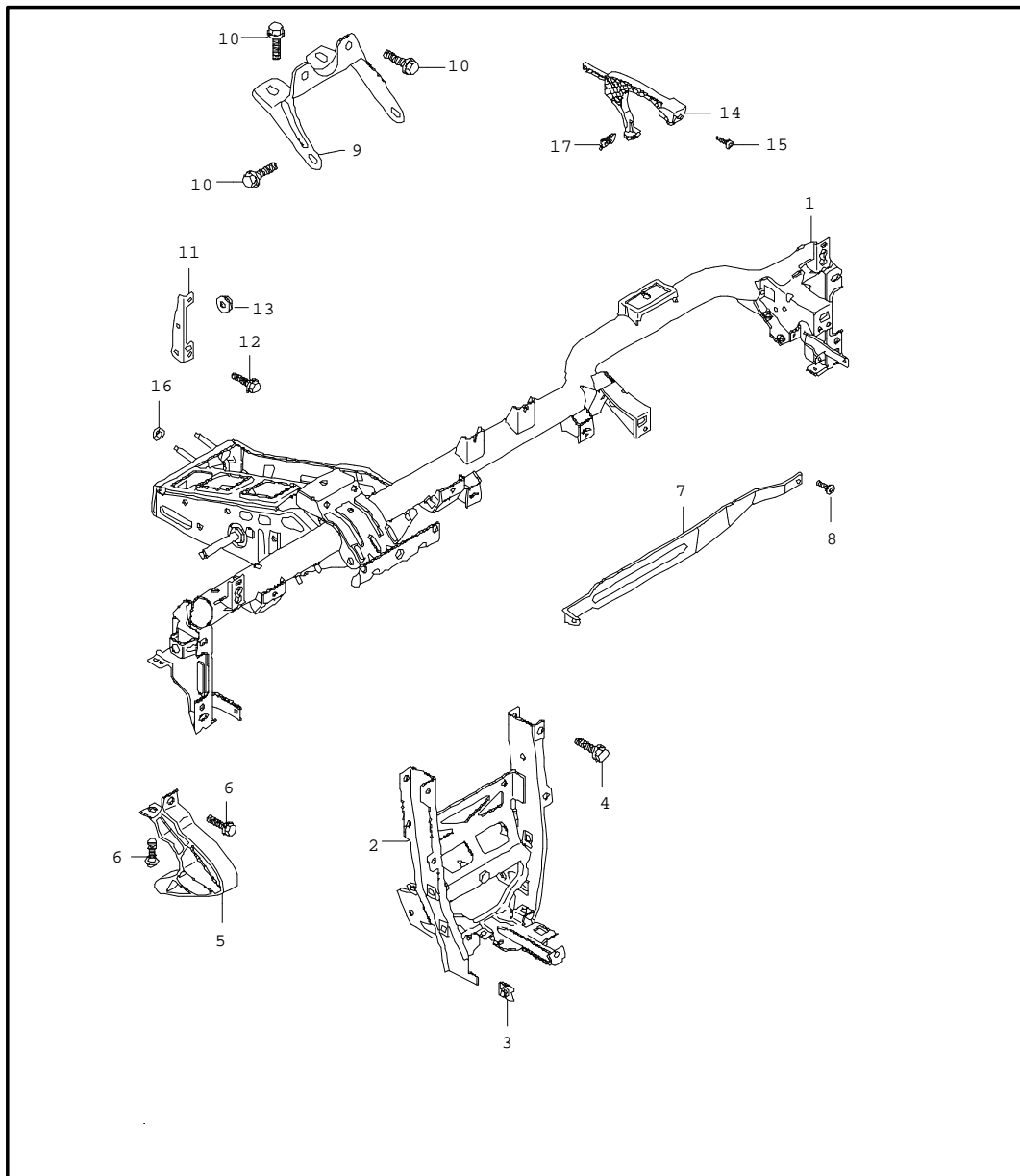
Model	Year	MG	SG	Illustration	Restrictions	Update	10:29	18.08.2004	PORSCHE	PET	PORSCHE
997	05	8	09	809-03		179					

Pos	Part Number	Name	Remarks	Qty	Model	Pos	Part Number	Name	Remarks	Qty	Model
	4P2	palmgreen					T13	brown/natural			
	9S5	terracotta				(28)	997 552 361 01	handle complete	/RL	1	
	9V6	cocoa					A03	black			
	D12	dark grey/natural					5V7	stone grey			
	T12	brown/natural					5Z1	sand beige			
(26)	997 552 251 03	glove box cover leather	/RL	1	I981		8W7	sea blue			
	A11	black					5Y2	palmgreen			
	5X6	stone grey					8X8	terracotta			
	8G2	sand beige					8P9	cocoa			
	3S9	sea blue					T13	brown/natural			
	4P2	palmgreen				29	999 073 240 02	screw M 4 X 10 for mount handle		2	
	9S5	terracotta									
	9V6	cocoa									
	D12	dark grey/natural				30	997 552 448 00	stop		1	
	T12	brown/natural				31	997 552 663 00	box for cds		1	
27	999 073 249 07	tapping screw 3.5 X 12 for mount glove box cover		11		32	999 073 240 02	screw M 4 X 10 for mount box for cds		2	
28	997 552 362 01	handle complete	/LL	1		33	997 552 256 02	cover passenger's side leatherette	/LL	1	
	A03	black					1MZ	black			
	5V7	stone grey					1YP	stone grey			
	5Z1	sand beige					1TK	sand beige			
	8W7	sea blue					1VM	sea blue			
	5Y2	palmgreen					1UL	palmgreen			
	8X8	terracotta				(33)	997 552 255 02	cover passenger's side leatherette	/RL	1	
	8P9	cocoa									

Model	Year	MG	SG	Illustration	Restrictions	Update	10:29	18.08.2004	PORSCHE	PET	PORSCHE
997	05	8	09	809-03		179					

Pos	Part Number	Name	Remarks	Qty	Model	Pos	Part Number	Name	Remarks	Qty	Model
	1MZ	black				34	997 552 414 01	lining footwell passenger's side	/LL	1	
	1YP	stone grey									
	1TK	sand beige				(34)	997 552 413 01	lining footwell passenger's side	/RL	1	
	1VM	sea blue									
	1UL	palmgreen				35	1H0 819 943	screw for mount lining footwell		4	
33	997 552 256 03	cover passenger's side leather	/LL	1							
	A11	black						- - - E N D - - -			
	5X6	stone grey									
	8G2	sand beige									
	3S9	sea blue									
	4P2	palmgreen									
	9S5	terracotta									
	9V6	cocoa									
	D12	dark grey/natural									
	T12	brown/natural									
(33)	997 552 255 03	cover passenger's side leather	/RL	1							
	A11	black									
	5X6	stone grey									
	8G2	sand beige									
	3S9	sea blue									
	4P2	palmgreen									
	9S5	terracotta									
	9V6	cocoa									
	D12	dark grey/natural									
	T12	brown/natural									

Model	Year	MG	SG	Illustration	Restrictions	Update	10:29	18.08.2004	PORSCHE	PET	PORSCHE
997	05	8	09	809-04		179					



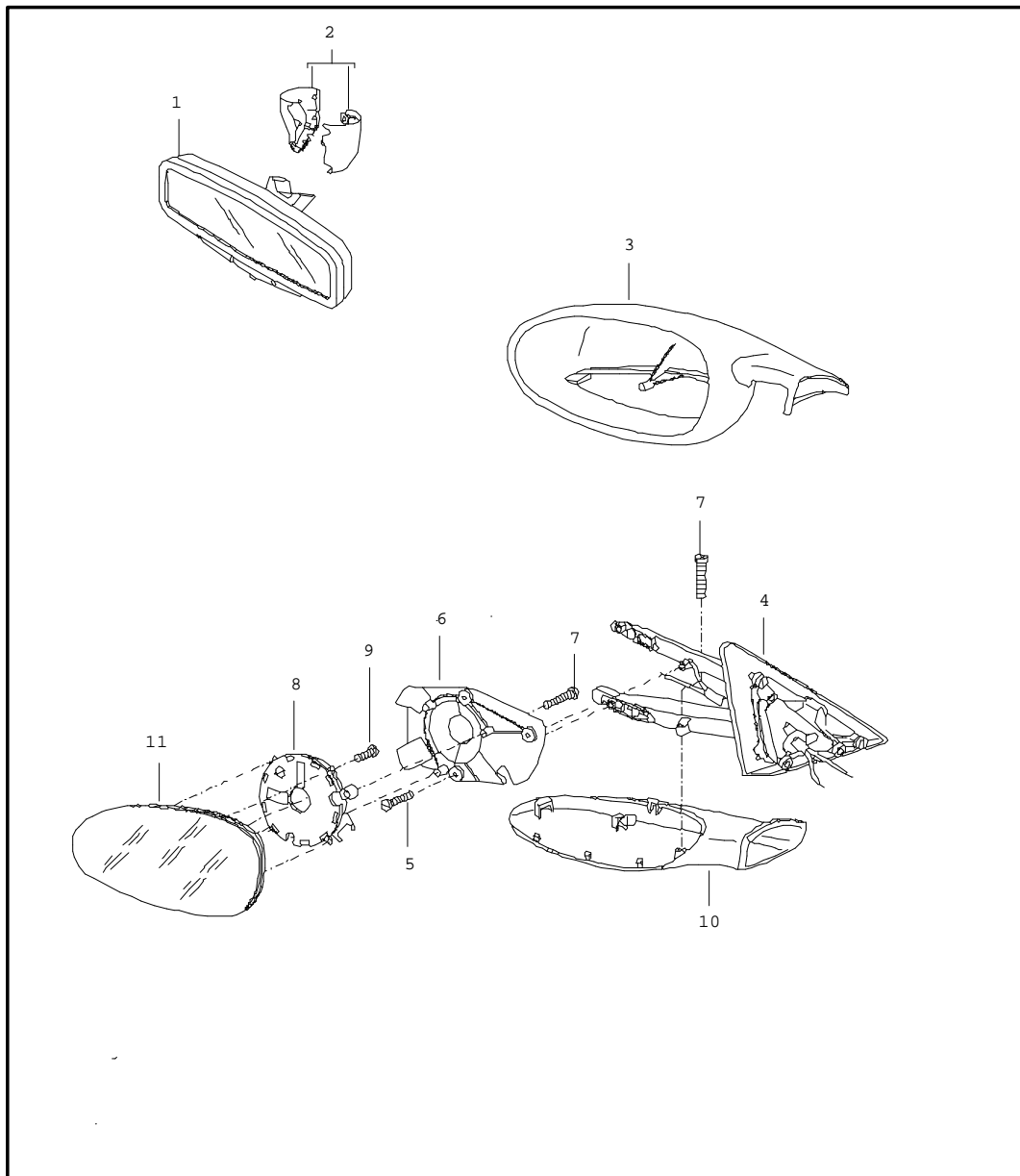
Pos	Part Number	Name	Remarks	Qty	Model
		retaining frame dashboard			
1	997 552 063 03	retaining frame	/LL	1	
(1)	997 552 063 04	retaining frame	/RL	1	
2	997 552 163 03	support tunnel	/LL	1	
(2)	997 552 163 04	support tunnel	/RL	1	
3	999 507 020 02	speed nut ST 4,2 for mount retaining frame and support tunnel		X	
4	900 378 175 09	hexagon-head bolt M 8 X 65 for mount support		2	
9	997 552 515 01	support tunnel		1	
10	900 075 432 02	screw M 6 X 18 for mount support tunnel		6	
11	997 552 407 00	support a-pillar	/L	1	
(11)	997 552 408 00	support a-pillar	/R	1	
12	900 378 176 09	screw M 8 X 20 for mount support a-pillar		4	



Model	Year	MG	SG	Illustration	Restrictions	Update	10:29	18.08.2004	PORSCHE	PET	PORSCHE
997	05	8	09	809-04		179					

Pos	Part Number	Name	Remarks	Qty	Model	Pos	Part Number	Name	Remarks	Qty	Model
13	999 084 630 09	hexagon nut M 8 for mount support a-pillar		4							
14	997 552 401 00	support heating		1							
15	999 073 155 09	tapping screw ST 4,2 X 13 for mount support heating		1							
16	997 423 299 01	nut for adjustment retaining frame firewall		2							
17	999 507 971 01	speed nut ST 4,2 for mount support heating		1							
		- - - E N D - - -									

Model	Year	MG	SG	Illustration	Restrictions	Update	10:29	18.08.2004	PORSCHE	PET	PORSCHE
997	05	8	09	809-10		179					



Pos	Part Number	Name	Remarks	Qty	Model
		interior mirror			
		door mirror			
1	997 731 511 01	interior mirror		1	I267
(1)	997 731 511 02	interior mirror		1	
	01C	satin black			
2	997 731 811 00	cover	/L	1	
		interior mirror			
	01C	satin black			
(2)	997 731 812 00	cover	/R	1	
		interior mirror			
	01C	satin black			
3	997 731 619 00	housing	/L	1	
	G2L	prime coated			
(3)	997 731 620 00	housing	/R	1	
	G2L	prime coated			
4	997 731 219 00	mirror base	/LL/L	1	
	G2L	prime coated			
(4)	997 731 220 00	mirror base	/LL/R	1	
		door mirror			
	G2L	prime coated			
(4)	997 731 219 01	mirror base	/LL/L	1	I537
		door mirror			
	G2L	prime coated			
(4)	997 731 220 01	mirror base	/LL/R	1	I537
		door mirror			
	G2L	prime coated			
(4)	997 731 219 02	mirror base	/LL/L	1	I267
		door mirror			
	G2L	prime coated			
(4)	997 731 220 02	mirror base	/LL/R	1	I267
		door mirror			

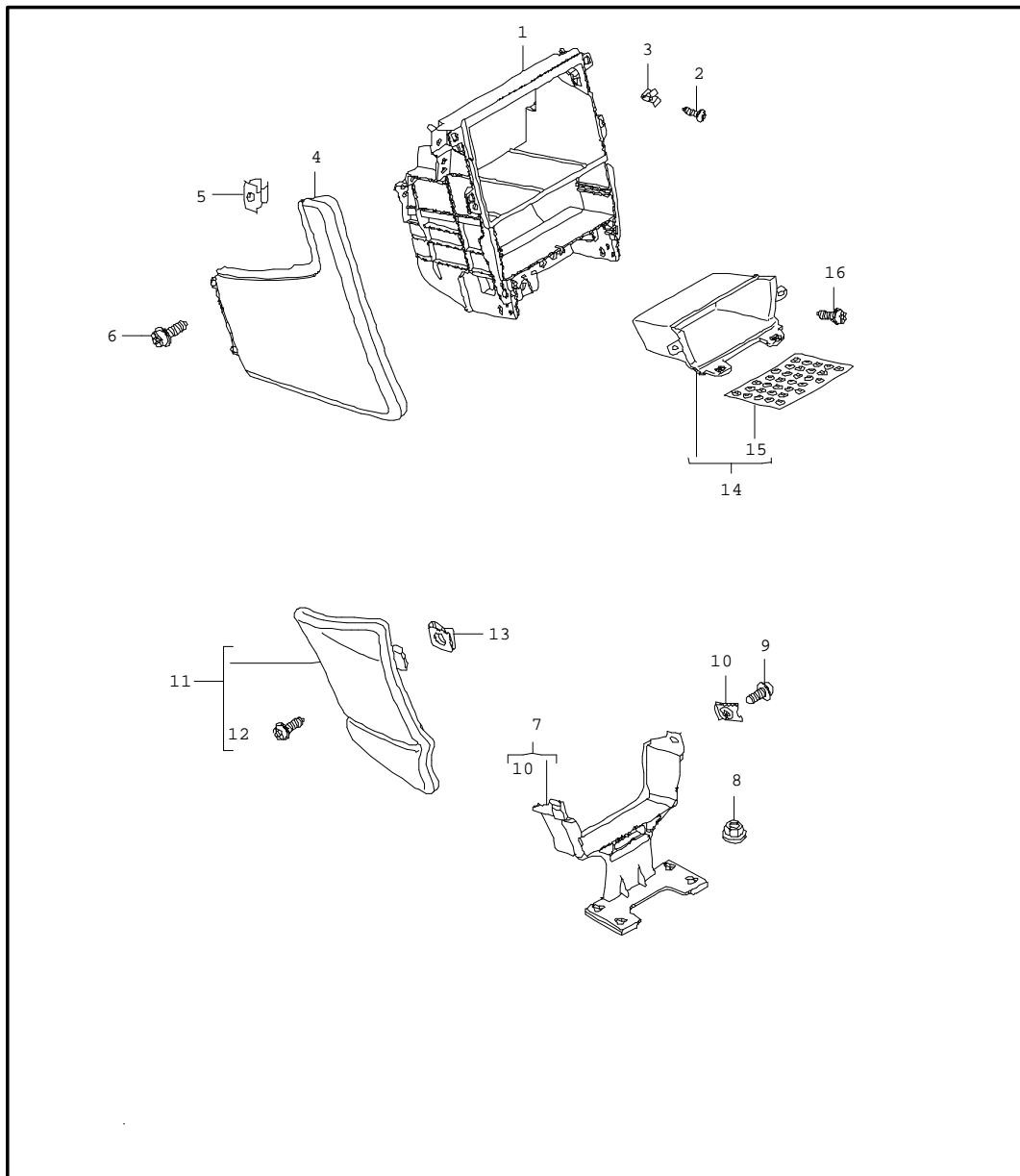
Model	Year	MG	SG	Illustration	Restrictions	Update	10:29	18.08.2004	PORSCHE	PET	PORSCHE
997	05	8	09	809-10		179					

Pos	Part Number	Name	Remarks	Qty	Model	Pos	Part Number	Name	Remarks	Qty	Model
(4)	997 731 219 03	G2L prime coated mirror base door mirror	/LL/L	1	I267/537	6	997 731 519 00	plate door mirror	/L	1	
(4)	997 731 220 03	G2L prime coated mirror base door mirror	/LL/R	1	I267/537	(6)	997 731 520 00	plate door mirror	/R	1	
(4)	997 731 219 04	G2L prime coated mirror base door mirror	/RL/L	1		7	999 141 043 02	oval-head screw M 3 X 14		4	
(4)	997 731 220 04	G2L prime coated mirror base door mirror	/RL/R	1		8	997 624 047 00	adjusting motor		2	
(4)	997 731 219 05	G2L prime coated mirror base door mirror	/RL/L	1	I538	(8)	997 624 048 00	adjusting motor		2	I537/538
(4)	997 731 220 05	G2L prime coated mirror base door mirror	/RL/R	1	I538	9	999 141 043 02	oval-head screw M 3,0 X 14		3	
(4)	997 731 219 06	G2L prime coated mirror base door mirror	/RL/L	1	I267	10	997 731 719 00	cover lower	/L	1	
(4)	997 731 220 06	G2L prime coated mirror base door mirror	/RL/R	1	I267	(10)	997 731 720 00	G2L prime coated cover lower	/R	1	
(4)	997 731 219 07	G2L prime coated mirror base door mirror	/RL/L	1	I267/538	11	997 731 035 00	G2L prime coated mirror glass plan	/LL/L	1	I098/270
(4)	997 731 220 07	G2L prime coated mirror base door mirror	/RL/R	1	I267/538	(11)	997 731 035 01	mirror glass aspherical	/LL/L	1	I098/271
5	999 919 024 09	oval-head screw 3,0 X 12		3		(11)	997 731 035 02	mirror glass plan dipping	/LL/L	1	I098/267/270
						(11)	997 731 035 03	mirror glass aspherical dipping	/LL/L	1	I098/267/271
						(11)	997 731 037 00	mirror glass convex	/RL/L	1	I099
						(11)	997 731 037 01	mirror glass convex dipping	/RL/L	1	I099/267
						(11)	997 731 038 00	mirror glass convex	/LL/R	1	I098
						(11)	997 731 038 02	mirror glass convex	/LL/R	1	I215

Model	Year	MG	SG	Illustration	Restrictions	Update	10:29	18.08.2004	PORSCHE	PET	PORSCHE
997	05	8	09	809-10		179					

Pos	Part Number	Name	Remarks	Qty	Model	Pos	Part Number	Name	Remarks	Qty	Model
(11)	997 731 038 03	mirror glass convex dipping	/LL/R	1	I098/267						
(11)	997 731 038 05	mirror glass convex dipping	/LL/R	1	I215/267						
(11)	997 731 036 00	mirror glass plan	/RL/R	1	I099/270						
(11)	997 731 036 01	mirror glass aspherical	/RL/R	1	I099/271						
(11)	997 731 036 02	mirror glass plan dipping	/RL/R	1	I099/267/270						
(11)	997 731 036 03	mirror glass aspherical dipping	/RL/R	1	I099/267/271						
		- - - E N D - - -									

Model	Year	MG	SG	Illustration	Restrictions	Update	10:30	18.08.2004	PORSCHE	PET	PORSCHE
997	05	8	09	809-15		179					



Pos	Part Number	Name	Remarks	Qty	Model
1	997 553 111 01	centre console front		1	
2	999 073 155 09	tapping screw ST 4, X 13		5	
3	999 507 476 01	clamp 8,0 X 10,0/2,5		6	
4	997 553 117 01	cover lateral slush	/L	1	
	9L4	black			
	9M5	stone grey			
	9C6	sand beige			
	9D7	sea blue			
	9E8	palmgreen			
(4)	997 553 118 01	cover lateral slush	/R	1	
	9L4	black			
	9M5	stone grey			
	9C6	sand beige			
	9D7	sea blue			
	9E8	palmgreen			
4	997 553 117 03	cover lateral leather	/LL/L	1	I098/I618
	FSA	black/grey			
	FSB	stone grey/stone grey			
	FSC	sand beige/sand beige			
	FSD	seeblue/grey			

Model	Year	MG	SG	Illustration	Restrictions	Update	10:30	18.08.2004	PORSCHE	PET	PORSCHE
997	05	8	09	809-15		179					

Pos	Part Number	Name	Remarks	Qty	Model	Pos	Part Number	Name	Remarks	Qty	Model
		FSE palm-green/palm-green						FSJ brown nat./brown nat.			
		FSF terrakotta/terrakotta				(4)	997 553 118 03	cover lateral leather	/RL/R	1	I099/I618
		FSG cocoa/cocoa						FSA black/grey			
		FSH darkgrey natural/grey						FSB stone grey/stone grey			
		FSJ brown nat./brown nat.						FSC sand beige/sand beige			
4	997 553 117 03	cover lateral leather	/LL/L	1	I098/I668			FSD seeblue/grey			
		FSA black/grey						FSE palm-green/palm-green			
		FSB stone grey/stone grey						FSF terrakotta/terrakotta			
		FSC sand beige/sand beige						FSG cocoa/cocoa			
		FSD seeblue/grey						FSH darkgrey natural/grey			
		FSE palm-green/palm-green						FSJ brown nat./brown nat.			
		FSF terrakotta/terrakotta				(4)	997 553 118 03	cover lateral leather	/RL/R	1	I099/I668
		FSG cocoa/cocoa						FSA black/grey			
		FSH darkgrey natural/grey						FSB stone grey/stone grey			
		FSJ brown nat./brown nat.						FSC sand beige/sand beige			
4	997 553 117 03	cover lateral leather	/L	1	I981			FSD seeblue/grey			
		FSA black/grey						FSE palm-green/palm-green			
		FSB stone grey/stone grey						FSF terrakotta/terrakotta			
		FSC sand beige/sand beige						FSG cocoa/cocoa			
		FSD seeblue/grey						FSH darkgrey natural/grey			
		FSE palm-green/palm-green						FSJ brown nat./brown nat.			
		FSF terrakotta/terrakotta				(4)	997 553 118 03	cover lateral leather	/R	1	I981
		FSG cocoa/cocoa						FSA black/grey			
		FSH darkgrey natural/grey									

Model	Year	MG	SG	Illustration	Restrictions	Update	10:30	18.08.2004	PORSCHE	PET	PORSCHE
997	05	8	09	809-15		179					

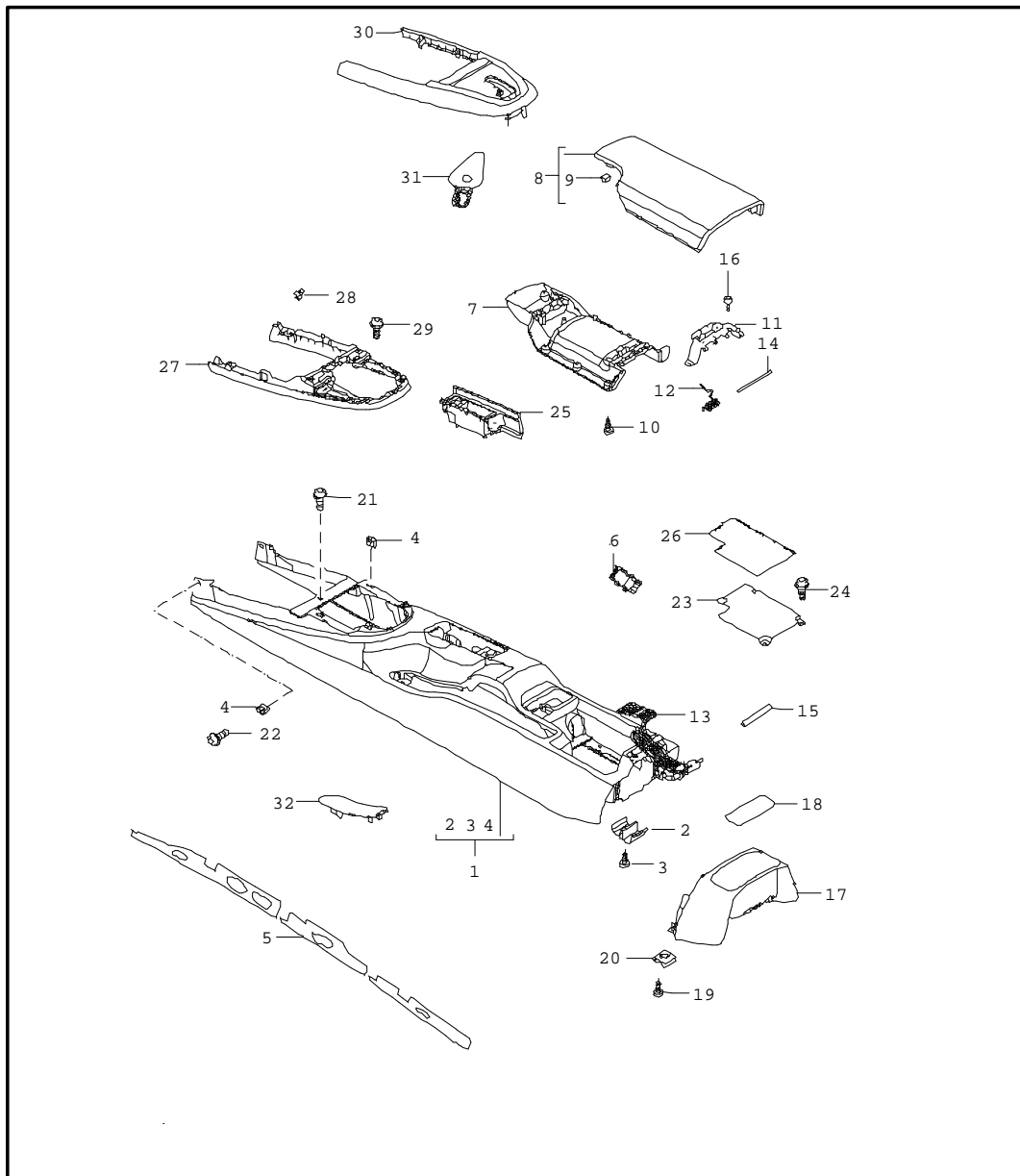
Pos	Part Number	Name	Remarks	Qty	Model	Pos	Part Number	Name	Remarks	Qty	Model
		FSB stone grey/stone grey				10	999 507 971 01	speed nut ST 4,2 for mount		2	
		FSC sand beige/sand beige									
		FSD seeblue/grey									
		FSE palm-green/palm-green				11	997 553 131 01	cover footwell outlet vent driver's side carpet	/LL	1	
		FSF terrakotta/terrakotta									
		FSG cocoa/cocoa					A10	black			
		FSH darkgrey natural/grey					B10	stone grey			
		FSJ brown nat./brown nat.					T10	sand beige			
		cover lateral with preparation for telephone see group 8/11/10		1			E10	sea blue			
5	999 591 508 02	captive nut ST 4,2 for mount cover lateral		4			J10	palmgreen			
							M10	terracotta			
							R10	cocoa			
							D11	dark grey/natural			
							T11	brown/natural			
						(11)	997 553 131 02	cover footwell outlet vent driver's side carpet	/RL	1	
6	999 073 226 09	tapping screw ST 4,2 X 16 for mount cover lateral		2			A10	black			
							B10	stone grey			
7	997 553 361 01	support centre for mount		1			T10	sand beige			
							E10	sea blue			
8	P 999 084 629 09	hexagon nut M6 for mount		4			J10	palmgreen			
							M10	terracotta			
							R10	cocoa			
9	999 073 155 09	tapping screw ST 4,2 X 13 for mount		2			D11	dark grey/natural			
							T11	brown/natural			

Model	Year	MG	SG	Illustration	Restrictions	Update	10:30	18.08.2004	PORSCHE	PET	PORSCHE
997	05	8	09	809-15		179					

Pos	Part Number	Name	Remarks	Qty	Model	Pos	Part Number	Name	Remarks	Qty	Model
(11)	997 553 132 01	cover footwell outlet vent passenger's side carpet	/LL	1		13	999 507 766 02	speed nut M 6 for mount cover footwell outlet vent		2	
	A10	black									
	B10	stone grey				14	997 553 143 01	shelf centre console front		1	
	T10	sand beige					D07	volcano grey			
	E10	sea blue				15	997 553 543 01	insert shelf		1	
	J10	palmgreen				16	999 919 164 09	oval-head screw 5,0 X 12,0 for mount shelf		3	
	M10	terracotta									
	R10	cocoa									
	D11	dark grey/natural									
	T11	brown/natural									
(11)	997 553 132 02	cover footwell outlet vent passenger's side carpet	/RL	1				- - - E N D - - -			
	A10	black									
	B10	stone grey									
	T10	sand beige									
	E10	sea blue									
	J10	palmgreen									
	M10	terracotta									
	R10	cocoa									
	D11	dark grey/natural									
	T11	brown/natural									
12	999 073 223 07	screw M 6 X 25 for mount cover footwell outlet vent		2							



Model	Year	MG	SG	Illustration	Restrictions	Update	10:30	18.08.2004	PORSCHE	PET	PORSCHE
997	05	8	09	809-20		179					



Pos	Part Number	Name	Remarks	Qty	Model
1	997 553 211 01	centre console rear lacquered		1	
	A03	black			
	5V7	stone grey			
	5Z1	sand beige			
	8W7	sea blue			
	5Y2	palmgreen			
	8X8	terracotta			
	8P9	cocoa			
	T13	brown/natural			
(1)	997 553 980 00	centre console rear leather		1	COUPE/XMZ
	A11	black			
	5X6	stone grey			
	8G2	sand beige			
	3S9	sea blue			
	4P2	palmgreen			
	9S5	terracotta			
	9V6	cocoa			
	D12	dark grey/natural			
	T12	brown/natural			
(1)	997 553 980 01	centre console rear carbon		1	COUPE/XMJ
	A35	black			
(1)	997 553 980 02	centre console rear		1	COUPE/XJU

Model	Year	MG	SG	Illustration	Restrictions	Update	10:30	18.08.2004	PORSCHE	PET	PORSCHE
997	05	8	09	809-20		179					

Pos	Part Number	Name	Remarks	Qty	Model	Pos	Part Number	Name	Remarks	Qty	Model
	S62	sycamore wood				3	999 919 162 09	oval-head screw 4 X 8 for mount insert locking device		1	
(1)	997 553 980 03	centre console rear		1	COUPE/XJT						
	S61	makassar									
(1)	997 553 980 04	centre console rear		1	COUPE/XCK	4	999 591 215 40	expander nut 4,2		4	
	V04	galvano silver				5	997 553 843 00	sound absorber	/L	1	
(1)	997 553 980 05	centre console rear		1	COUPE/XME	(5)	997 553 844 00	sound absorber	/R	1	
	041	black				6	997 553 579 00	cover lacquered		1	COUPE
	84A	guards red					A03	black			
	B9A	carrara white					5V7	stone grey			
	12H	speed yellow					5Z1	sand beige			
	92U	arctic silver metallic					8W7	sea blue			
	M3W	carmon red metallic					5Y2	palmgreen			
	M5W	lapis blue metallic					8X8	terracotta			
	M6W	lagoon green metallic					8P9	cocoa			
	C9Z	basalt black metallic					T13	brown/natural			
	M7X	atlas grey metallic				7	997 553 433 01	cover inner		1	
	39C	midnight blue metallic					01C	satin black			
	6B4	seal grey metallic				8	997 553 231 01	cover outer leather		1	
	2B4	forest green metallic					A11	black			
	3C8	cobalt blue metallic					5X6	stone grey			
	23F	slate grey metallic					8G2	sand beige			
	M7Z	gt silver metallic					3S9	sea blue			
	M6X	dark olive-metallic					4P2	palmgreen			
2	997 553 575 01	insert locking device centre console		1			9S5	terracotta			
	01C	satin black									

Model	Year	MG	SG	Illustration	Restrictions	Update	10:30	18.08.2004	PORSCHE	PET	PORSCHE
997	05	8	09	809-20		179					

Pos	Part Number	Name	Remarks	Qty	Model	Pos	Part Number	Name	Remarks	Qty	Model
	9V6	cocoa					8P9	cocoa			
	D12	dark grey/natural					T13	brown/natural			
	T12	brown/natural				(17)	997 553 983 00	extension centre console leather		1	COUPE/XMZ
9	999 507 972 01	speed nut 3,5 for mount cover outer		8			A11	black			
10	999 073 153 07	tapping screw 3,5 X 14 for mount cover outer		8			5X6	stone grey			
							8G2	sand beige			
							3S9	sea blue			
							4P2	palmgreen			
							9S5	terracotta			
11	997 553 437 01	hinge		1			9V6	cocoa			
12	997 553 439 00	spring		1			D12	dark grey/natural			
13	997 553 441 00	belt		1			T12	brown/natural			
14	997 553 447 00	axle		1		(17)	997 553 983 01	extension centre console leather		1	COUPE/XMJ
15	997 553 733 00	retaining pin		1			A11	black			
16	999 919 159 09	oval-head screw M4X12 for mount hinge with cover		2			5X6	stone grey			
							8G2	sand beige			
17	997 553 221 01	extension centre console lacquered		1	COUPE		3S9	sea blue			
	A03	black					4P2	palmgreen			
	5V7	stone grey					9S5	terracotta			
	5Z1	sand beige					9V6	cocoa			
	8W7	sea blue					D12	dark grey/natural			
	5Y2	palmgreen					T12	brown/natural			
	8X8	terracotta				(17)	997 553 983 02	extension centre console leather		1	COUPE/XJU
							A11	black			

Model	Year	MG	SG	Illustration	Restrictions	Update	10:30	18.08.2004	PORSCHE	PET	PORSCHE
997	05	8	09	809-20		179					

Pos	Part Number	Name	Remarks	Qty	Model	Pos	Part Number	Name	Remarks	Qty	Model
	5X6	stone grey					9V6	cocoa			
	8G2	sand beige					D12	dark grey/natural			
	3S9	sea blue					T12	brown/natural			
	4P2	palmgreen				(17)	997 553 983 05	extension centre console lacquered		1	COUPE/XME
	9S5	terracotta					041	black			
	9V6	cocoa					84A	guards red			
	D12	dark grey/natural					B9A	carrara white			
	T12	brown/natural					12H	speed yellow			
(17)	997 553 983 03	extension centre console leather		1	COUPE/XJT		92U	arctic silver metallic			
	A11	black					M3W	carmon red metallic			
	5X6	stone grey					M5W	lapis blue metallic			
	8G2	sand beige					M6W	lagoon green metallic			
	3S9	sea blue					C9Z	basalt black metallic			
	4P2	palmgreen					M7X	atlas grey metallic			
	9S5	terracotta					39C	midnight blue metallic			
	9V6	cocoa					6B4	seal grey metallic			
	D12	dark grey/natural					2B4	forest green metallic			
	T12	brown/natural					3C8	cobalt blue metallic			
(17)	997 553 983 04	extension centre console leather		1	COUPE/XCK		23F	slate grey metallic			
	A11	black					M7Z	gt silver metallic			
	5X6	stone grey				18	997 553 625 01	insert extension		1	COUPE
	8G2	sand beige				19	999 073 226 09	tapping screw 4,2 X 16 for mount extension		2	COUPE
	3S9	sea blue									
	4P2	palmgreen									
	9S5	terracotta									

Model	Year	MG	SG	Illustration	Restrictions	Update	10:30	18.08.2004	PORSCHE	PET	PORSCHE
997	05	8	09	809-20		179					

Pos	Part Number	Name	Remarks	Qty	Model	Pos	Part Number	Name	Remarks	Qty	Model
20	999 507 785 02	speed nut 4,2 for mount extension		1	COUPE		8G2	sand beige			
							3S9	sea blue			
							4P2	palmgreen			
21	999 919 121 09	oval-head screw 5 X 16 for mount centre console		X			9S5	terracotta			
							9V6	cocoa			
							D12	dark grey/natural			
22	999 073 155 09	tapping screw 4,2 X 13 for mount centre console		X			T12	brown/natural			
						(25)	997 553 982 01	ashtray carbon		1	XMJ
							A35	black			
23	997 553 615 01	floor centre console		1		(25)	997 553 982 02	ashtray		1	XJU
							S62	sycamore wood			
24	999 073 226 09	tapping screw 4,2 X 16 for mount floor centre console		2		(25)	997 553 982 03	ashtray		1	XJT
							S61	makassar			
25	997 553 141 01	ashtray lacquered		1		(25)	997 553 982 04	ashtray aluminium look		1	XCK
	A03	black					V04	galvano silver			
	5V7	stone grey				(25)	997 553 982 05	ashtray lacquered		1	XME
	5Z1	sand beige					041	black			
	8W7	sea blue					84A	guards red			
	5Y2	palmgreen					B9A	carrara white			
	8X8	terracotta					12H	speed yellow			
	8P9	cocoa					92U	arctic silver metallic			
	T13	brown/natural					M3W	carmon red metallic			
(25)	997 553 982 00	ashtray leather		1	XMZ		M5W	coral metallic			
	A11	black					M6W	lagoon green metallic			
	5X6	stone grey					C9Z	basalt black metallic			
							M7X	atlas grey metallic			

Model	Year	MG	SG	Illustration	Restrictions	Update	10:30	18.08.2004	PORSCHE	PET	PORSCHE
997	05	8	09	809-20		179					

Pos	Part Number	Name	Remarks	Qty	Model	Pos	Part Number	Name	Remarks	Qty	Model
	39C	midnight blue metallic				(30)	997 553 243 01	cover shift gate lacquered		1	I 480
	6B4	seal grey metallic									
	2B4	forest green metallic					A03	black			
	3C8	cobalt blue metallic					5V7	stone grey			
	23F	slate grey metallic					5Z1	sand beige			
	M7Z	gt silver metallic					8W7	sea blue			
	M6X	dark olive-metallic					5Y2	palmgreen			
26	997 553 611 01	insert		1			8X8	terracotta			
27	997 553 261 01	frame lacquered		1	CARRERA		8P9	cocoa			
	D07	volcano grey					T13	brown/natural			
(27)	997 553 261 02	frame lacquered		1	CARRERA S	31	996 552 687 00	slide		1	I249
	V04	galvano silver					01C	satin black			
28	999 507 476 01	clamp 8,0 X 10,0/2,5		7		32	997 553 455 01	cover parking-brake lever lacquered		1	
29	999 073 226 09	tapping screw 4,2 X 16 for mount frame		4			A03	black			
30	997 553 241 01	cover		1	I 249		5V7	stone grey			
	A03	black					5Z1	sand beige			
	5V7	stone grey					8W7	sea blue			
	5Z1	sand beige					5Y2	palmgreen			
	8W7	sea blue					8X8	terracotta			
	5Y2	palmgreen					8P9	cocoa			
	8X8	terracotta					T13	brown/natural			
	8P9	cocoa				(32)	997 553 981 00	cover parking-brake lever leather		1	XCK
	T13	brown/natural					A11	black			
							5X6	stone grey			
							8G2	sand beige			

Model	Year	MG	SG	Illustration	Restrictions	Update	10:30	18.08.2004	PORSCHE	PET	PORSCHE
997	05	8	09	809-20		179					

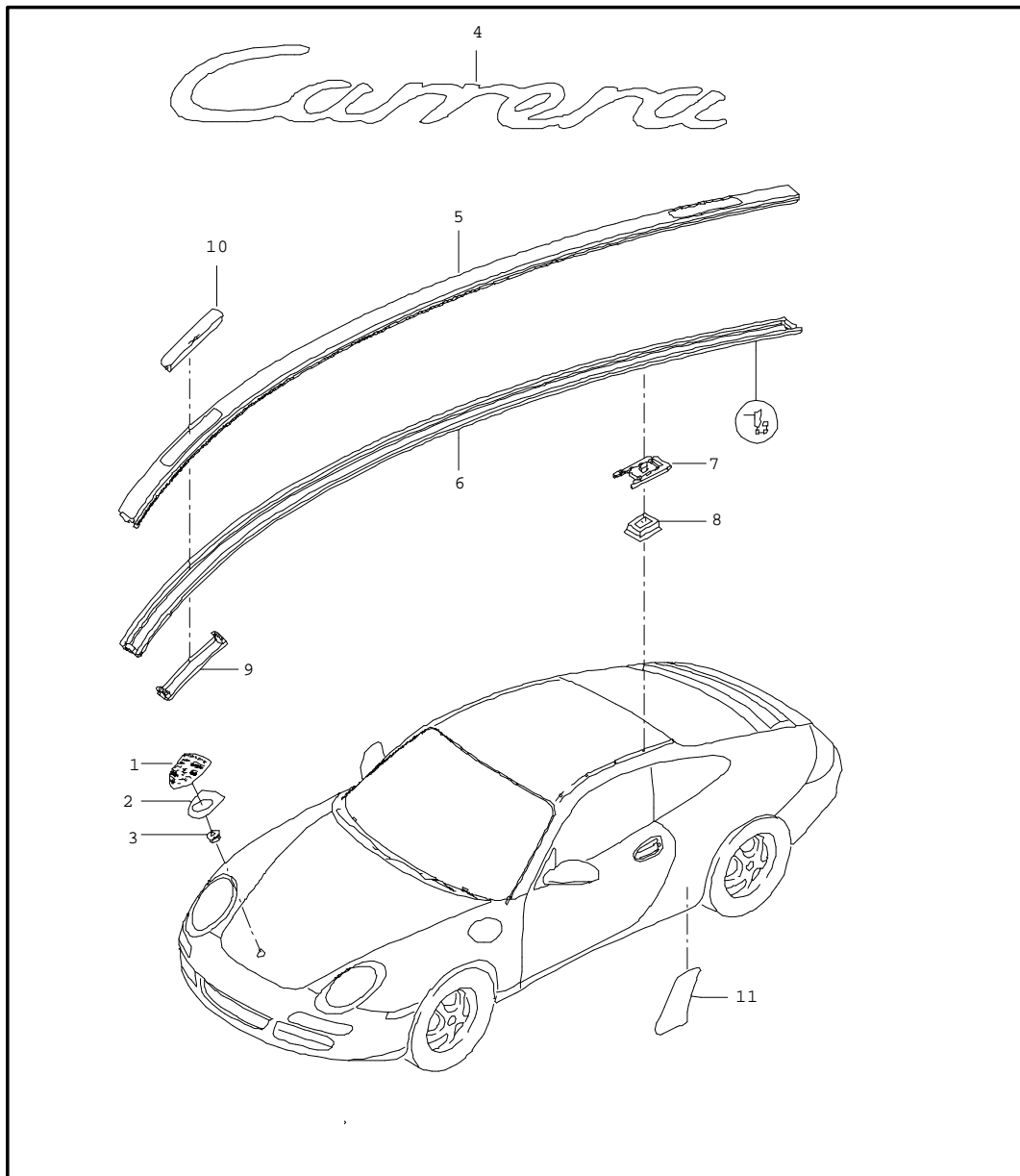
Pos	Part Number	Name	Remarks	Qty	Model	Pos	Part Number	Name	Remarks	Qty	Model
	3S9	sea blue					T12	brown/natural			
	4P2	palmgreen				(32)	997 553 981 00	cover parking-brake lever leather		1	XME
	9S5	terracotta					A11	black			
	9V6	cocoa					5X6	stone grey			
	D12	dark grey/natural					8G2	sand beige			
(32)	997 553 981 00	cover parking-brake lever leather		1	XJT		3S9	sea blue			
	A11	black					4P2	palmgreen			
	5X6	stone grey					9S5	terracotta			
	8G2	sand beige					9V6	cocoa			
	3S9	sea blue					D12	dark grey/natural			
	4P2	palmgreen				(32)	997 553 981 00	cover parking-brake lever leather		1	XMJ
	9S5	terracotta					A11	black			
	9V6	cocoa					5X6	stone grey			
	D12	dark grey/natural					8G2	sand beige			
(32)	997 553 981 00	cover parking-brake lever leather		1	XJU		3S9	sea blue			
	A11	black					4P2	palmgreen			
	5X6	stone grey					9S5	terracotta			
	8G2	sand beige					9V6	cocoa			
	3S9	sea blue					D12	dark grey/natural			
	4P2	palmgreen				(32)	997 553 981 00	cover parking-brake lever leather		1	XMZ
	9S5	terracotta					A11	black			
	9V6	cocoa					5X6	stone grey			
	D12	dark grey/natural									

Model	Year	MG	SG	Illustration	Restrictions	Update	10:30	18.08.2004	PORSCHE	PET	PORSCHE
997	05	8	09	809-20		179					

Pos	Part Number	Name	Remarks	Qty	Model	Pos	Part Number	Name	Remarks	Qty	Model
	8G2	sand beige									
	3S9	sea blue									
	4P2	palmgreen									
	9S5	terracotta									
	9V6	cocoa									
	D12	dark grey/natural									
	T12	brown/natural									
		- - - E N D - - -									



Model	Year	MG	SG	Illustration	Restrictions	Update	10:30	18.08.2004	PORSCHE	PET	PORSCHE
997	05	8	10	810-00		179					

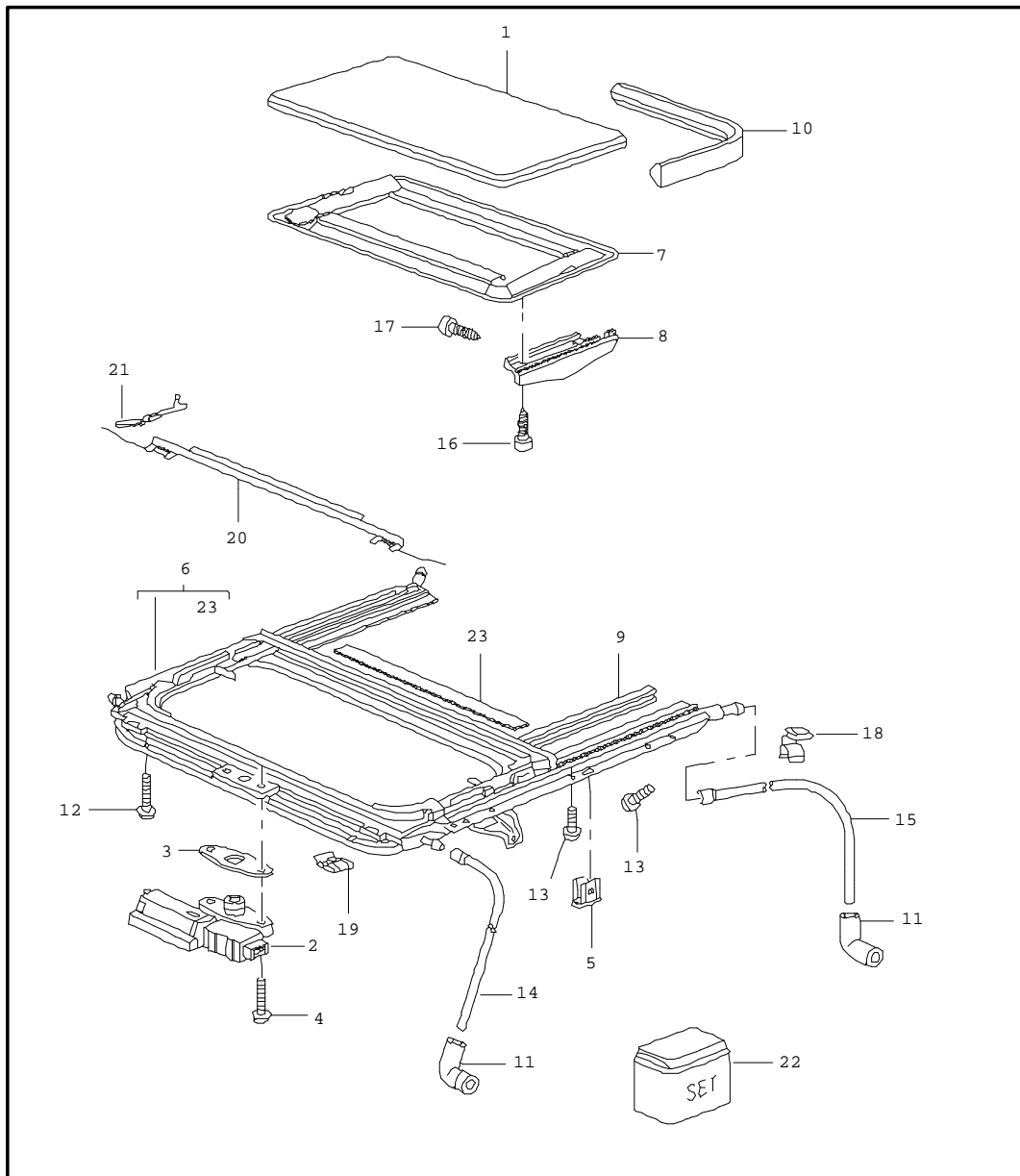


Pos	Part Number	Name	Remarks	Qty	Model
		insignias decorative fittings stone guard film			
1	996 559 211 01	lid emblem		1	
2	7L5 853 611 B	desk pad		1	
3	999 591 423 03	tapping nut		2	
4	997 559 237 00	logo *CARRERA* lacquered titanium		1	C2
(4)	997 559 237 01	logo *CARRERA*		1	C2S
(4)	997 559 243 00	logo *S*		1	C2S
5	997 559 401 00	roof edge strip	/L	1	
	G2X	prime coated			
(5)	997 559 402 00	roof edge strip	/R	1	
	G2X	prime coated			
6	997 559 721 00	gasket roof edge strip	/L	1	
(6)	997 559 722 00	gasket roof edge strip	/R	1	
7	996 559 403 01	clip		10	
8	996 559 405 01	adapter		10	
9	996 559 729 00	bracket for flap		4	
10	996 559 501 00	flap front		2	
	G2X	prime coated			
(10)	996 559 503 00	flap rear		2	
	G2X	prime coated			

Model	Year	MG	SG	Illustration	Restrictions	Update	10:30	18.08.2004	PORSCHE	PET	PORSCHE
997	05	8	10	810-00		179					

Pos	Part Number	Name	Remarks	Qty	Model	Pos	Part Number	Name	Remarks	Qty	Model
11	N 997 504 825 01	stone guard film side section	/L	1							
(11)	N 997 504 826 01	stone guard film side section	/R	1							
		- - - E N D - - -									

Model	Year	MG	SG	Illustration	Restrictions	Update	10:30	18.08.2004	PORSCHE	PET	PORSCHE
997	05	8	11	811-00		179					

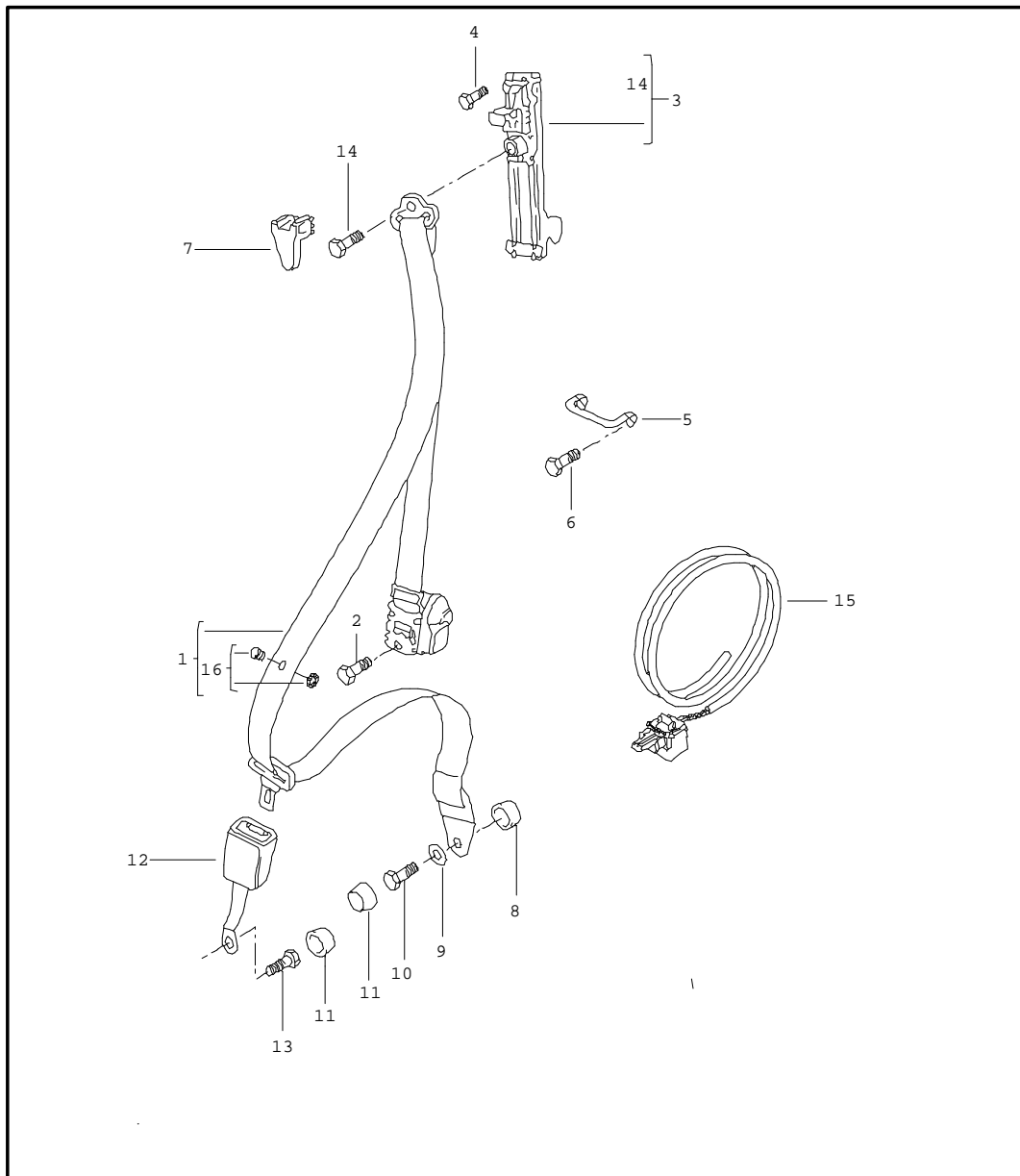


Pos	Part Number	Name	Remarks	Qty	Model
		sunroof			M 650
1	996 564 941 01	cover		1	
		GRV	prime coated		
2	997 624 211 00	driving mechanism		1	
3	996 564 213 00	spacer		1	
4	999 073 135 07	oval-head screw		2	
6	996 564 015 02	frame complete		1	
7	996 564 021 04	roof lining alcantara		1	
		A14	black		
		B14	stone grey		
		G14	metropole blue		
		T44	sand beige		
		J44	palmgreen		
(7)	996 564 983 00	roof lining leather		1	
		A11	black		
		5X6	stone grey		
		8G2	sand beige		
		3S9	sea blue		
		4P2	palmgreen		
		9S5	terracotta		
		D12	dark grey/natural		
		T12	natural brown		
		9V6	cocoa		
9	996 564 241 00	cover inner	/L	1	
(9)	996 564 242 00	cover inner	/R	1	

Model	Year	MG	SG	Illustration	Restrictions	Update	10:30	18.08.2004	PORSCHE	PET	PORSCHE
997	05	8	11	811-00		179					

Pos	Part Number	Name	Remarks	Qty	Model	Pos	Part Number	Name	Remarks	Qty	Model
10	996 564 211 01	gasket		1							
12	999 073 131 02	oval-head screw M6X25		4							
13	999 073 130 02	oval-head screw M6X16		6							
14	996 564 207 00	water drain hose front		2							
16	900 143 133 07	oval-head sheetmetal screw		4							
17	996 564 245 00	screw		4							
18	999 507 631 02	cable holder		6							
19	999 591 348 02	speed nut		2							
20	996 564 161 02	air deflector		1							
21	996 564 521 01	hinge		1							
(21)	996 564 522 01	hinge		1							
--	996 564 950 00	sound absorber for roof lining		1							
23	996 564 907 01	protective edging		1							
		- - - E N D - - -									

Model	Year	MG	SG	Illustration	Restrictions	Update	10:31	18.08.2004	PORSCHE	PET	PORSCHE
997	05	8	12	812-00		179					

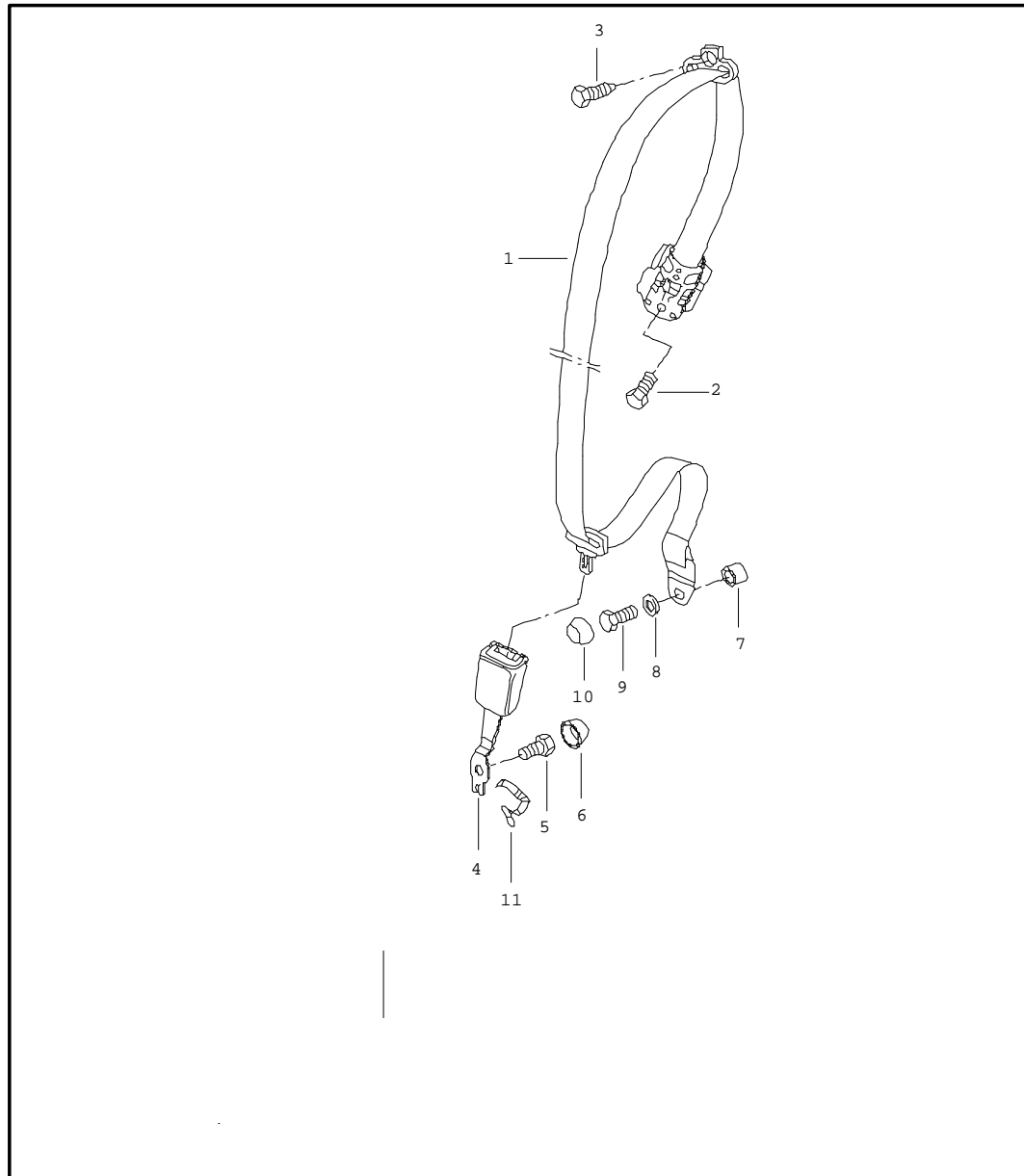


Pos	Part Number	Name	Remarks	Qty	Model
1	997 803 033 00	seat belt front	/L	1	COUPE
	A23	black			
	N13	guards red			
	U01	silver			
	V02	speed yellow			
(1)	997 803 034 00	seat belt	/R	1	
	A23	black			
	N13	guards red			
	U01	silver			
	V02	speed yellow			
2	999 075 070 09	fastening screw		2	
3	N 997 803 231 00	height adjustment		2	
4	900 067 131 02	pan-head screw		2	
5	996 803 825 01	relay lever		2	
6	900 378 036 09	hexagon-head bolt		4	
7	996 803 521 00	cover		2	
	A03	black			
8	999 924 064 02	spacer sleeve		2	
9	211 857 771	washer		2	
10	999 075 073 09	screw		2	
11	811 857 845	cap		2	
	01C	black			
12	997 803 183 01	seat-belt buckle passenger's side		2	I 099/553
(12)	996 803 183 08	seat-belt buckle passenger's side		2	I 098
13	999 218 101 02	fastening screw		2	

Model	Year	MG	SG	Illustration	Restrictions	Update	10:31	18.08.2004	PORSCHE	PET	PORSCHE
997	05	8	12	812-00		179					

Pos	Part Number	Name	Remarks	Qty	Model	Pos	Part Number	Name	Remarks	Qty	Model
14	999 075 073 09	fastening screw		2							
15	996 612 990 10	cable for seat-belt tensioner		X							
16	955 803 056 00	knob		2							
	HCP	black									
		- - - E N D - - -									

Model	Year	MG	SG	Illustration	Restrictions	Update	10:31	18.08.2004	PORSCHE	PET	PORSCHE
997	05	8	12	812-05		179					



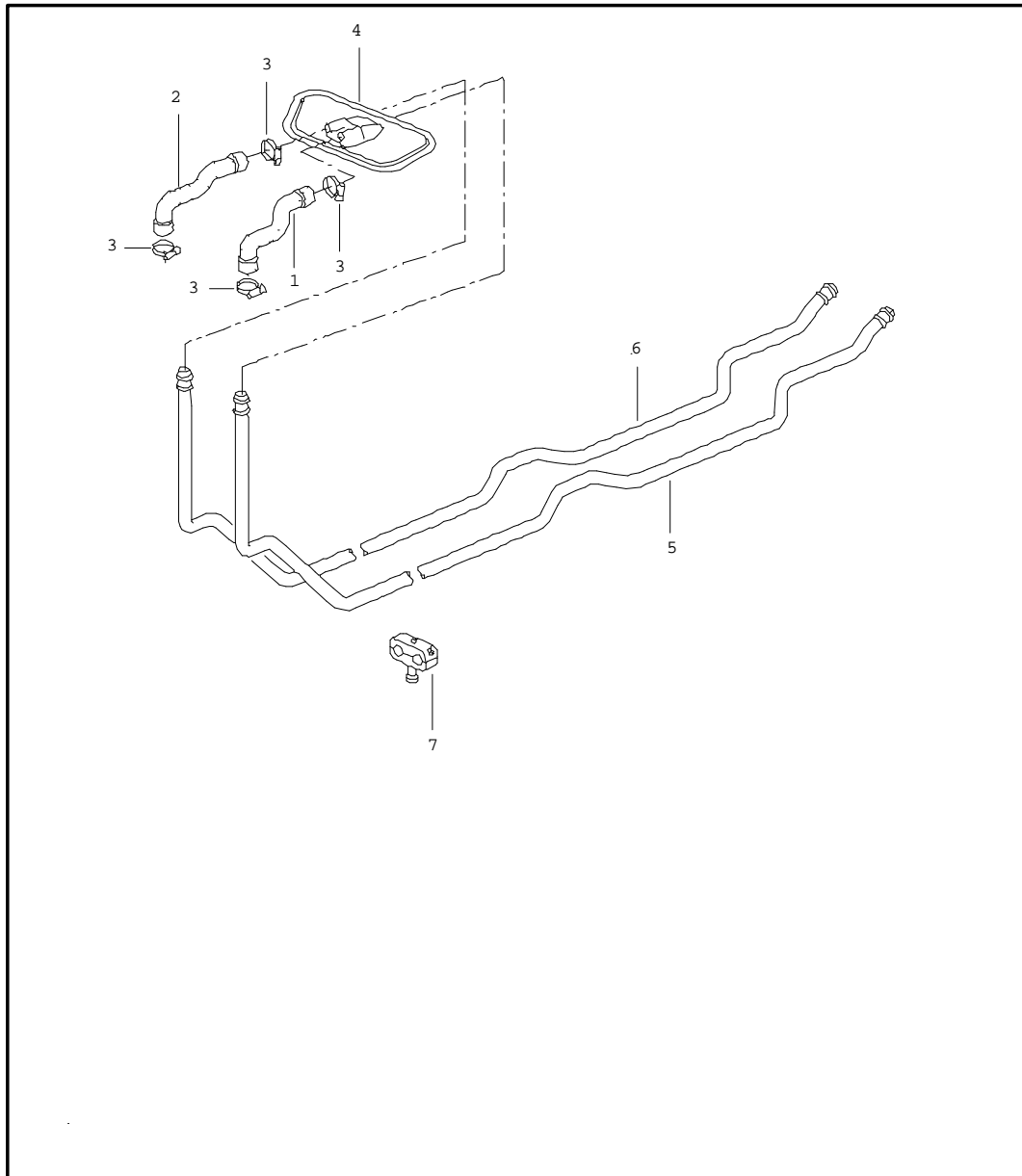
Pos	Part Number	Name	Remarks	Qty	Model
		seat belt rear			COUPE
1	996 803 035 08	seat belt	/L	1	
	V02	speed yellow			
	N13	guards red			
	U01	silver			
	A23	black			
(1)	996 803 983 06	seat belt	/L	1	
	H03	marine blue			
(1)	996 803 036 08	seat belt	/R	1	
	V02	speed yellow			
	N13	guards red			
	U01	silver			
	A23	black			
(1)	996 803 984 06	seat belt	/R	1	
	H03	maritime blue			
2	999 075 070 09	fastening screw		2	
3	999 075 057 09	fastening screw		2	
4	996 803 165 01	seat-belt buckle	/L	1	
(4)	996 803 166 01	seat-belt buckle	/R	1	
5	999 075 070 09	fastening screw		2	
6	811 857 845	cap		2	
7	999 924 064 02	spacer sleeve		2	
8	211 857 771	washer		2	
9	999 075 073 09	screw		2	
10	811 857 845	cap		2	M 193
11	996 551 745 00	clamp	/L	2	
(11)	996 551 746 00	clamp	/R	2	

Model	Year	MG	SG	Illustration	Restrictions	Update	10:31	18.08.2004	PORSCHE	PET	PORSCHE
997	05	8	12	812-05		179					

Pos	Part Number	Name	Remarks	Qty	Model	Pos	Part Number	Name	Remarks	Qty	Model
		- - - E N D - - -									

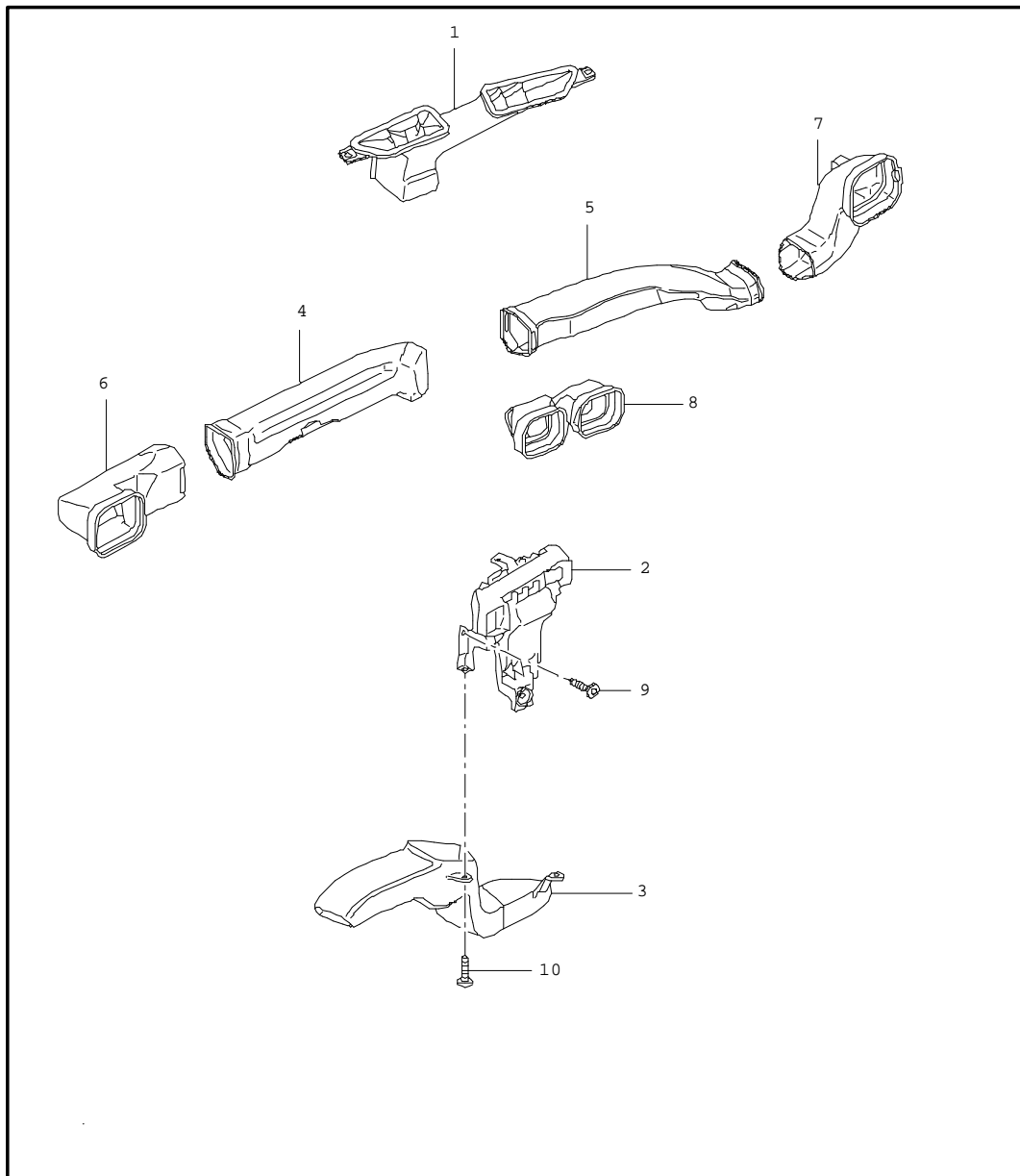


Model	Year	MG	SG	Illustration	Restrictions	Update	10:31	18.08.2004	PORSCHE	PET	PORSCHE
997	05	8	13	813-00		179					



Pos	Part Number	Name	Remarks	Qty	Model
		heating system 1 feed line return line			
1	996 572 583 04	heater hose	/LL	1	
(1)	996 572 583 05	heater hose	/RL	1	
2	996 572 585 04	heater hose	/LL	1	
(2)	996 572 585 05	heater hose	/RL	1	
3	999 512 603 09	clip		4	
4	997 572 263 00	gasket	/LL	1	
(4)	996 572 263 03	gasket	/RL	1	
5	997 572 681 00	hot air duct supply		1	
6	997 572 683 00	hot air duct return		1	
--	996 572 785 00	connection piece		X	
7	999 511 230 40	support		4	
--	999 511 232 41	rubber mounting 19/19		4	
		- - - E N D - - -			

Model	Year	MG	SG	Illustration	Restrictions	Update	10:31	18.08.2004	PORSCHE	PET	PORSCHE
997	05	8	13	813-01		179					

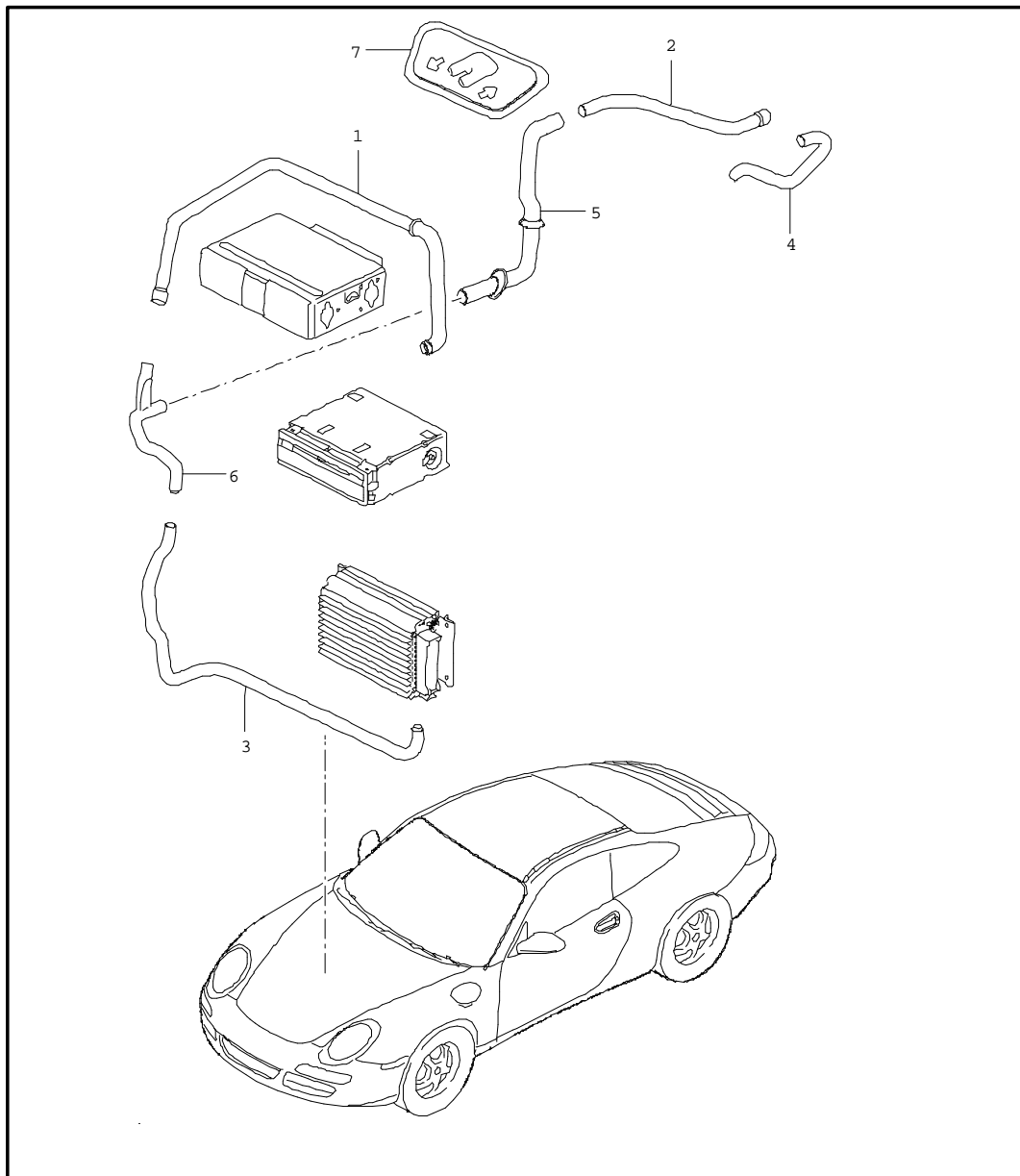


Pos	Part Number	Name	Remarks	Qty	Model
		air distributor passenger compartment			
1	997 572 631 00	defroster vent	/LL	1	
(1)	997 572 631 01	defroster vent	/RL	1	
2	997 572 171 00	air distributor	/LL	1	
(2)	997 572 171 01	air distributor	/RL	1	
3	997 572 793 00	footwell outlet vent	/LL	1	I 098
(3)	997 572 793 02	footwell outlet vent	/LL	1	I 098/680
(3)	997 572 793 01	footwell outlet vent	/RL	1	I 099
(3)	997 572 793 03	footwell outlet vent	/RL	1	I 099/680
4	997 572 463 01	air duct	/LL /L	1	
(4)	997 572 463 00	air duct	/RL /L	1	
5	997 572 464 00	air duct	/LL /R	1	
(5)	997 572 464 01	air duct	/RL /R	1	
6	997 572 767 00	air duct	/LL /L	1	
(6)	997 572 767 01	air duct	/RL /L	1	
7	997 572 768 00	air duct	/RL /R	1	
(7)	997 572 768 01	air duct	/LL /R	1	
8	997 572 769 00	air duct		1	
(8)	997 572 769 01	air duct		1	
9	999 919 118 09	oval-head screw		2	
10	999 073 339 09	tapping screw		2	
11	N 997 572 395 00	cover		1	I99/680
		01C	black		
11	N 997 572 395 01	cover		1	I99/680
		T13	brown		
		5V7	stone grey		
		5Y2	palmgreen		

Model	Year	MG	SG	Illustration	Restrictions	Update	10:31	18.08.2004	PORSCHE	PET	PORSCHE
997	05	8	13	813-01		179					

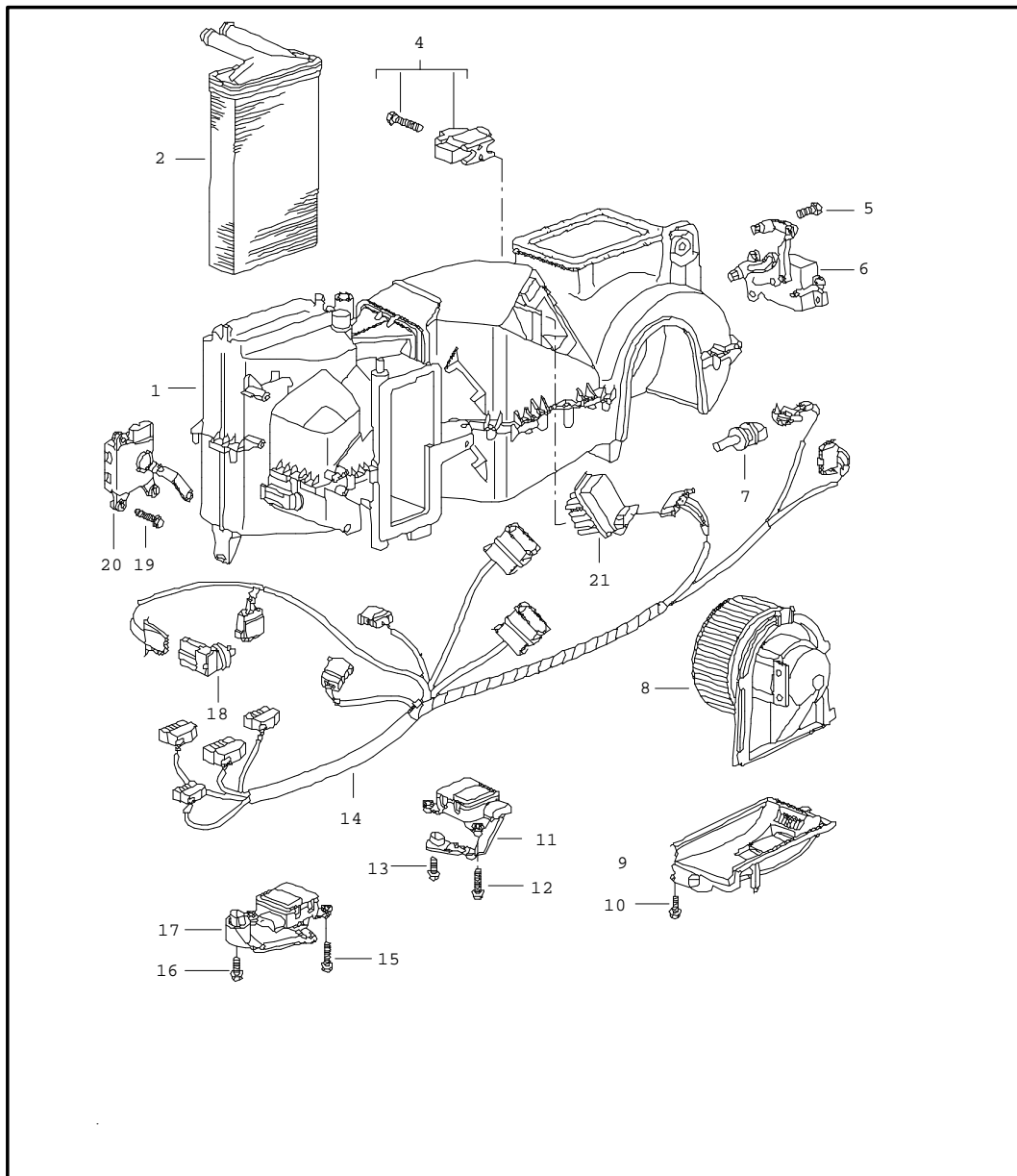
Pos	Part Number	Name	Remarks	Qty	Model	Pos	Part Number	Name	Remarks	Qty	Model
	5Z1	sand beige									
	8P9	cocoa									
	8W7	sea blue									
	8X8	terracotta									
		- - - E N D - - -									

Model	Year	MG	SG	Illustration	Restrictions	Update	10:31	18.08.2004	PORSCHE	PET	PORSCHE
997	05	8	13	813-02		179					



Pos	Part Number	Name	Remarks	Qty	Model
		luggage compartment cooling			
1	997 572 588 00	air duct	2	1	I670/215/072
(1)	997 572 588 01	air duct		1	I664/670
2	997 572 582 00	air duct		1	I072/670/553 I215
3	997 572 590 00	air duct		1	I072/670/553 I215
4	997 572 580 00	air duct		1	I072/670/215 I553
5	N 997 572 584 02	air duct		1	I072/670/215 I553
6	N 997 572 586 06	air duct		1	I072/670/215 I553/
7	997 572 263 00	gasket		1	
- - - E N D - - -					

Model	Year	MG	SG	Illustration	Restrictions	Update	10:32	18.08.2004	PORSCHE	PET	PORSCHE
997	05	8	13	813-05		179					

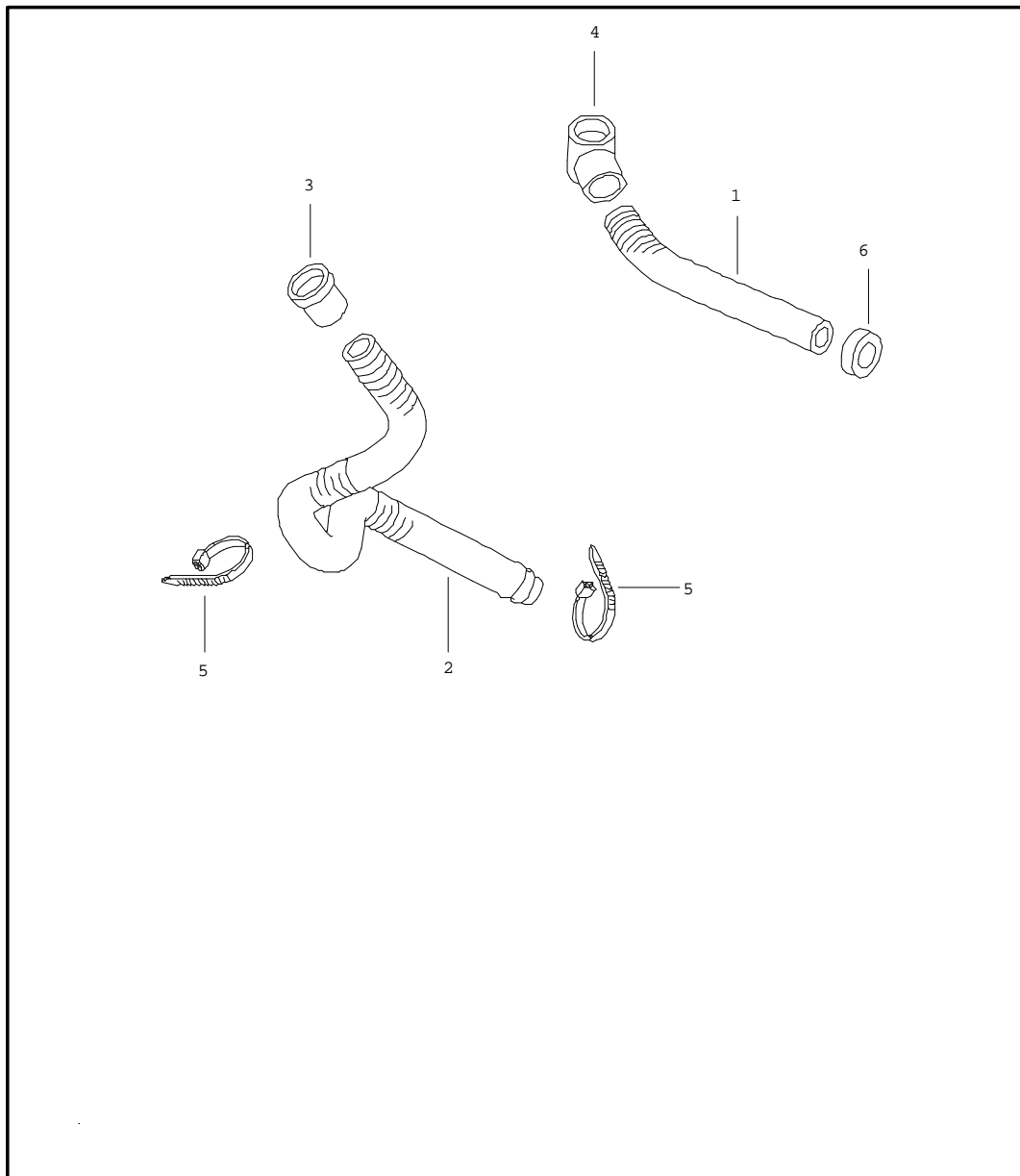


Pos	Part Number	Name	Remarks	Qty	Model
		air conditioner single parts			I 573
1	997 573 901 00	air conditioner	/LL	1	
1	996 573 901 01	air conditioner without heat exchanger with evaporator	/RL	1	
2	996 572 129 00	heat exchanger		1	
3	996 572 913 00	gasket		1	
4	996 573 929 01	expansion valve		1	
5	900 143 102 02	tapping screw		2	
6	996 573 917 02	electric motor central valve marked green	/LL	1	
6	996 573 917 03	electric motor central valve marked white	/RL	1	
7	4A0 820 539	temperature sensor		1	
7	1J0 907 543 B	temperature sensor		1	
8	996 624 107 01	blower	/LL	1	
8	996 624 108 01	blower	/RL	1	
9	996 573 905 00	cover		1	
10	900 143 102 02	hexagon-head bolt		1	
11	996 573 919 02	electric motor temperature valve marked red	/LL	1	
11	996 573 919 03	electric motor temperature valve marked red	/RL	1	
12	900 143 102 02	hexagon-head bolt		1	
13	900 143 102 02	hexagon-head bolt		1	

Model	Year	MG	SG	Illustration	Restrictions	Update	10:32	18.08.2004	PORSCHE	PET	PORSCHE
997	05	8	13	813-05		179					

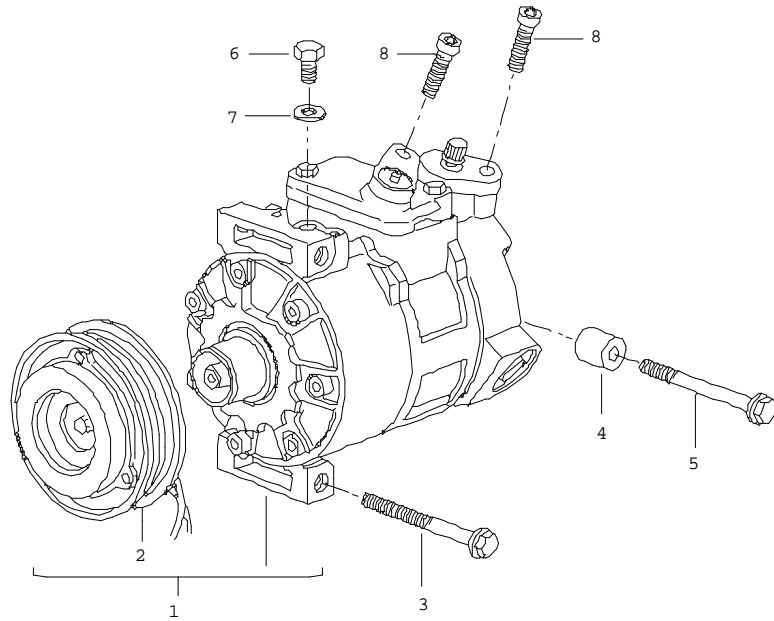
Pos	Part Number	Name	Remarks	Qty	Model	Pos	Part Number	Name	Remarks	Qty	Model
14	997 612 655 02	wiring harness		1							
(14)	997 612 656 02	wiring harness	/RL 412	1	I099						
15	900 143 102 02	hexagon-head bolt		1							
16	900 143 102 02	hexagon-head bolt		1							
17	996 573 921 02	electric motor defroster flap marked yellow	/LL	1							
(17)	996 573 921 03	electric motor defroster flap marked black	/RL	1							
18	1H0 907 543 A	temperature sensor		1							
19	900 143 102 02	hexagon-head bolt		1							
20	996 573 915 00	electric motor air flow sensor plate	/LL	1							
(20)	996 573 915 01	electric motor air flow sensor plate	/RL	1							
21	996 573 923 00	resistor		1							
--	996 573 925 00	intake air temper. sensor		1							
--	996 573 927 00	blower outlet sensor		1							
--	996 572 511 06	sound absorber	/LL -	1							
--	996 572 511 07	sound absorber		1							
--	1H0 819 943	screw		2							
--	997 573 935 00	plug		1							
		- - - E N D - - -									

Model	Year	MG	SG	Illustration	Restrictions	Update	10:32	18.08.2004	PORSCHE	PET	PORSCHE
997	05	8	13	813-10		179					



Pos	Part Number	Name	Remarks	Qty	Model
		water drain tube mount sound absorber heater air conditioner			
1	996 504 643 00	water drain tube		1	
2	996 504 644 00	water drain tube		1	
3	996 504 645 00	grommet		1	
4	996 504 646 00	grommet		1	
5	999 513 049 40	tie-wrap		1	
6	999 702 156 40	grommet		1	
--	996 573 797 02	connecting piece		1	
--	996 573 795 01	grommet		1	
--	996 573 793 01	water drain tube		1	
--	996 573 794 01	water drain tube		1	
--	996 504 649 00	grommet		2	
		- - - E N D - - -			

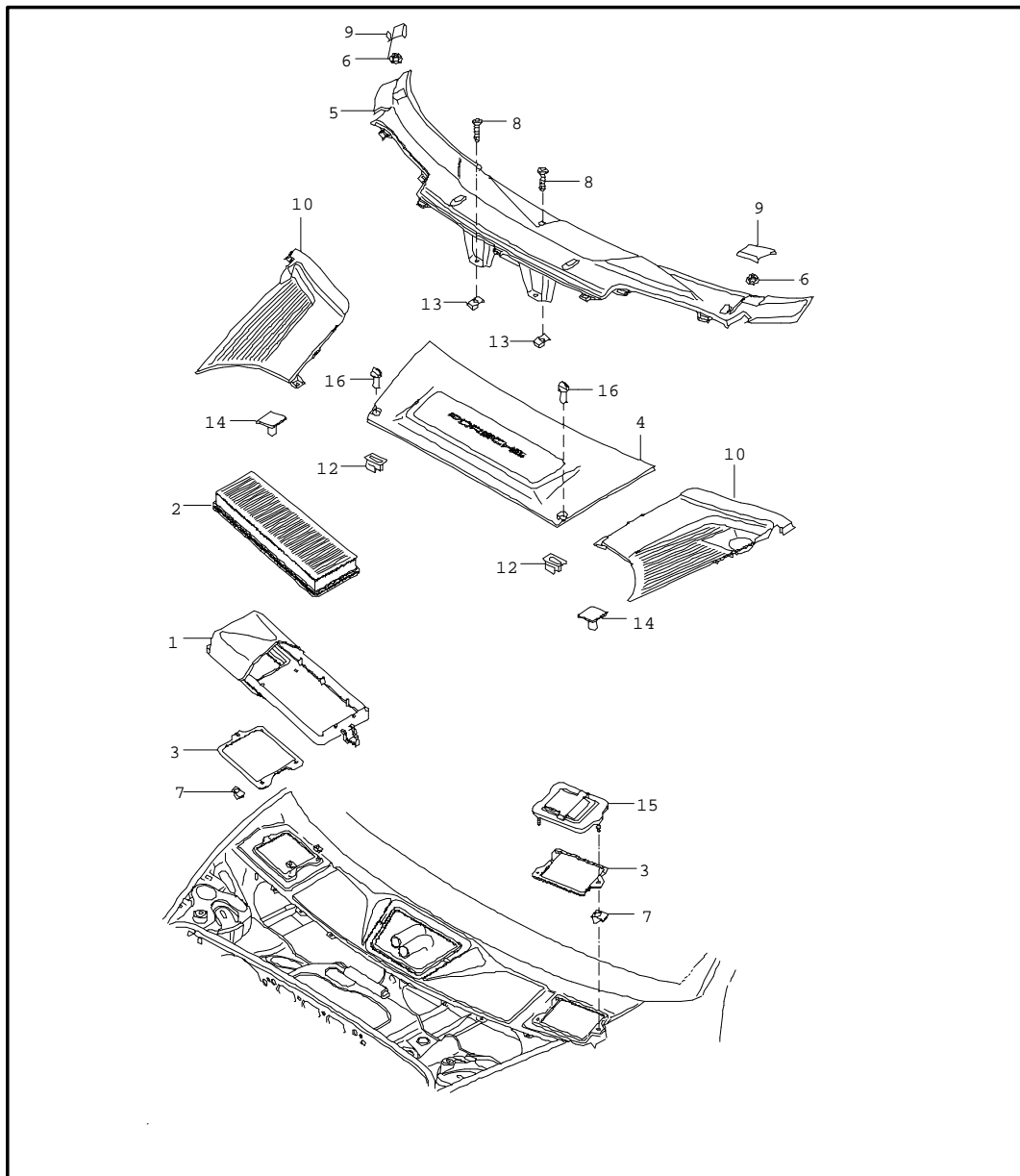
Model	Year	MG	SG	Illustration	Restrictions	Update	10:32	18.08.2004	PORSCHE	PET	PORSCHE
997	05	8	13	813-15		179					



Pos	Part Number	Name	Remarks	Qty	Model
		compressor			
1	996 126 011 52	compressor		1	
2	996 573 926 00	magnetic clutch		1	
3	900 378 075 09	hexagon-head bolt M 8X90		1	
4	996 126 102 53	spacer sleeve		1	
5	900 378 136 09	hexagon-head bolt M 8X120		1	
6	996 573 926 01	hexagon-head bolt		1	
7	996 573 926 02	sealing ring		1	
8	900 067 252 02	hexagon socket head bolt		2	
		- - - E N D - - -			



Model	Year	MG	SG	Illustration	Restrictions	Update	10:32	18.08.2004	PORSCHE	PET	PORSCHE
997	05	8	13	813-20		179					

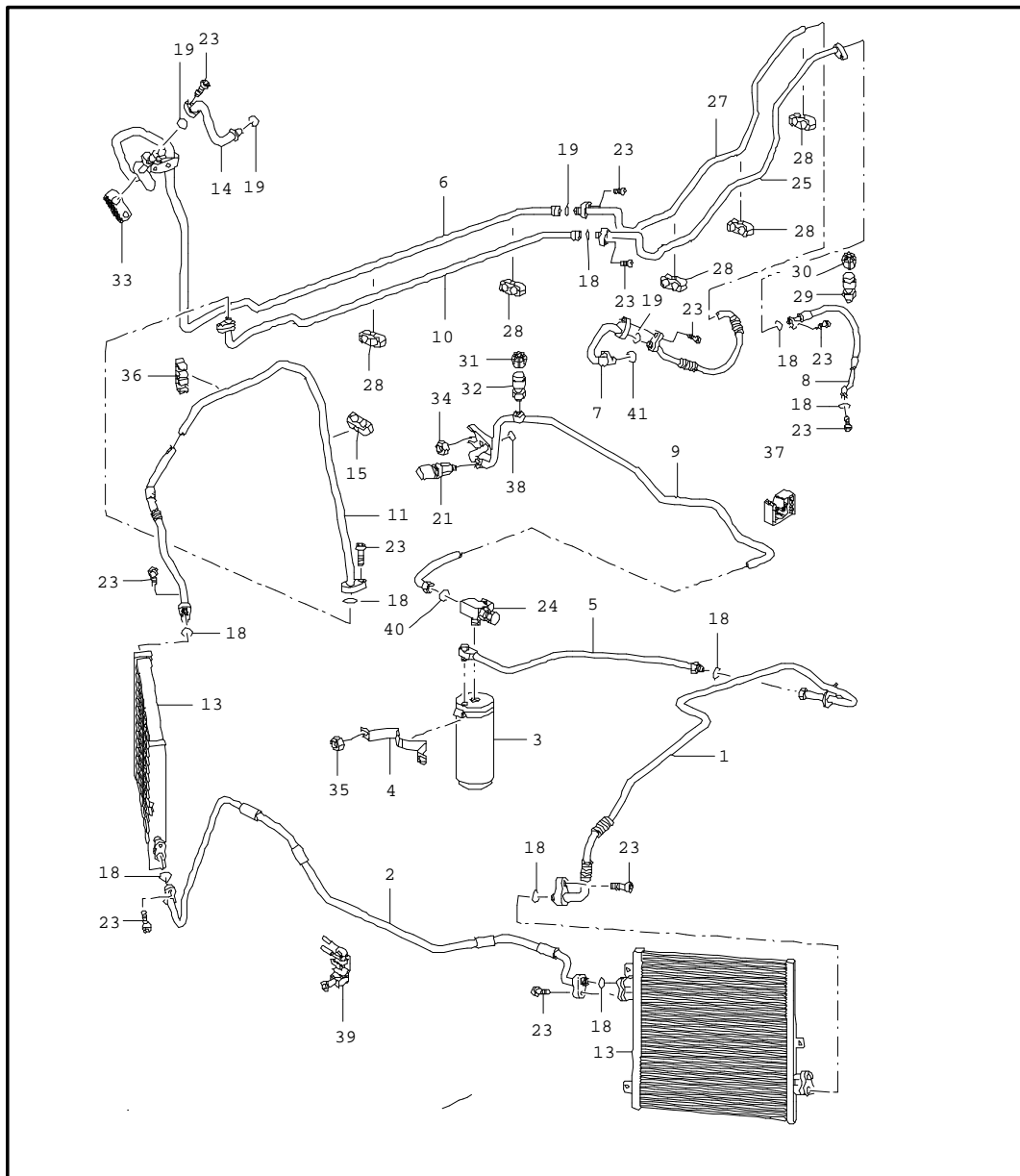


Pos	Part Number	Name	Remarks	Qty	Model
		particle filter			
		cowl panel covering			
1	997 572 019 02	housing	/LL	1	
1	997 572 019 03	housing	/RL	1	
2	997 571 219 00	particle filter		1	
3	996 572 221 02	gasket		1	
4	997 572 567 01	cover		1	
	FMT	black			
	FMT	battery			
(4)	997 572 729 02	cover	/LL	1	
		particle filter			
(4)	997 572 729 02	cover	/RL	1	
		particle filter			
5	997 572 563 02	cowl panel covering	/LL	1	
	FMT	black			
5	997 572 563 03	cowl panel covering	/RL	1	
	FMT	black			
6	999 049 008 40	plastic nut		2	
7	999 591 722 02	speed nut		3	
8	999 073 142 09	combination tapping screw		3	
9	997 572 569 02	cap	/L	2	I098
	FMT	black			
9	997 572 569 03	cap	/L	2	I099
	FMT	black			
(9)	997 572 570 02	cap	/R	1	I098
	FMT	black			
(9)	997 572 570 03	cap	/R	1	I099
	FMT	black			
10	997 572 361 01	cover	/L	1	

Model	Year	MG	SG	Illustration	Restrictions	Update	10:32	18.08.2004	PORSCHE	PET	PORSCHE
997	05	8	13	813-20		179					

Pos	Part Number	Name	Remarks	Qty	Model	Pos	Part Number	Name	Remarks	Qty	Model
	0A2	black									
(10)	997 572 362 01	cover	/R	1							
	0A2	black									
11	999 590 045 40	screw plug		X							
12	--- --- --- --	lock piece		2							
13	999 500 092 00	nut		2							
14	999 902 046 40	catch		1							
15	996 572 719 01	cover		2							
16	997 572 867 00	locking bolt		2							
	02A	black									
		- - - E N D - - -									

Model	Year	MG	SG	Illustration	Restrictions	Update	10:32	18.08.2004	PORSCHE	PET	PORSCHE
997	05	8	13	813-25		179					

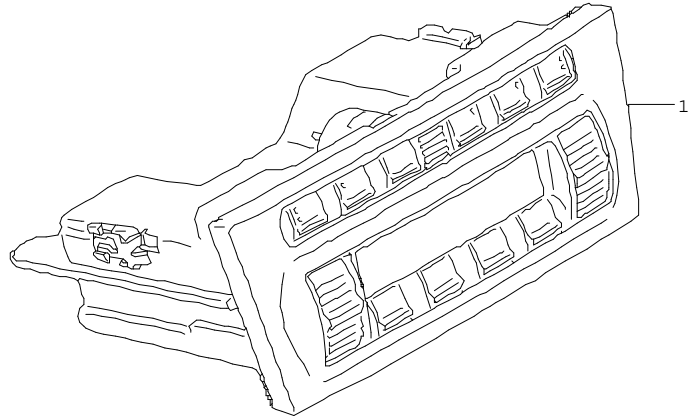


Pos	Part Number	Name	Remarks	Qty	Model
		refrigerant circuit			
1	997 573 105 00	refrigerant line		1	
2	997 573 103 00	refrigerant line		1	
3	944 573 143 01	desiccator		1	
4	996 573 451 00	support		1	
5	996 573 106 00	refrigerant line		1	
6	996 573 091 01	refrigerant line		1	
--	996 573 769 00	grommet		1	
7	997 573 099 00	refrigerant line		1	
7	997 573 099 01	refrigerant line		1	
8	997 573 096 00	pressure line		1	
8	997 573 097 00	pressure line		1	
9	997 573 108 02	pressure line	/RL	1	
(9)	997 573 108 01	pressure line	/LL	1	
10	996 573 092 02	pressure line		1	
11	997 573 094 00	refrigerant line		1	
12	996 347 543 00	cable holder		2	
13	996 573 111 03	condenser		2	
14	996 573 093 04	intake pipe	/LL	1	
14	996 573 093 05	intake pipe	/RL	1	
15	999 511 230 40	cable holder		2	
--	999 511 231 41	rubber mounting		2	
16	999 707 247 40	o-ring 7,5X2		2	
17	999 707 439 41	o-ring 23,8X2,4		8	
18	999 707 434 41	o-ring 10,6X2		8	

Model	Year	MG	SG	Illustration	Restrictions	Update	10:32	18.08.2004	PORSCHE	PET	PORSCHE
997	05	8	13	813-25		179					

Pos	Part Number	Name	Remarks	Qty	Model	Pos	Part Number	Name	Remarks	Qty	Model
19	999 707 534 41	o-ring 17X2		3							
20	999 707 262 40	o-ring 6,7X1,8		X							
21	964 613 137 01	pressure switch		1							
22	996 573 711 00	cover strip		2							
23	900 067 247 02	screw		X							
24	993 573 243 00	distributing piece		1							
25	997 573 096 01	pressure line		1							
27	997 573 095 02	intake pipe		1							
28	999 511 230 40	cable holder use also:		X							
--	999 511 231 41	rubber mounting		X							
29	996 573 465 00	valve		1							
30	944 573 663 01	valve cap		1							
31	944 573 663 02	valve cap		1							
32	996 573 465 00	valve		1							
34	900 377 010 09	hexagon nut M 6		1							
35	900 380 015 09	hexagon nut M6		2							
36	996 355 547 01	holder		1							
37	999 591 922 40	cable holder		1							
38	999 707 531 41	o-ring 7,5X2		2							
39	--- --- --- --	cable holder		1							
40	999 707 431 41	o-ring		X							
41	999 707 439 41	o-ring		X							
		- - - E N D - - -									

Model	Year	MG	SG	Illustration	Restrictions	Update	10:33	18.08.2004	PORSCHE	PET	PORSCHE
997	05	8	13	813-45		179					



Pos	Part Number	Name	Remarks	Qty	Model
		control switch			
1	997 653 101 08	control part		1	I573
	FMH	volcano grey/black mat			
1	997 653 111 08	control part		1	I573/342
	FMH	volcano grey/black mat			
		- - - E N D - - -			

PORSCHE

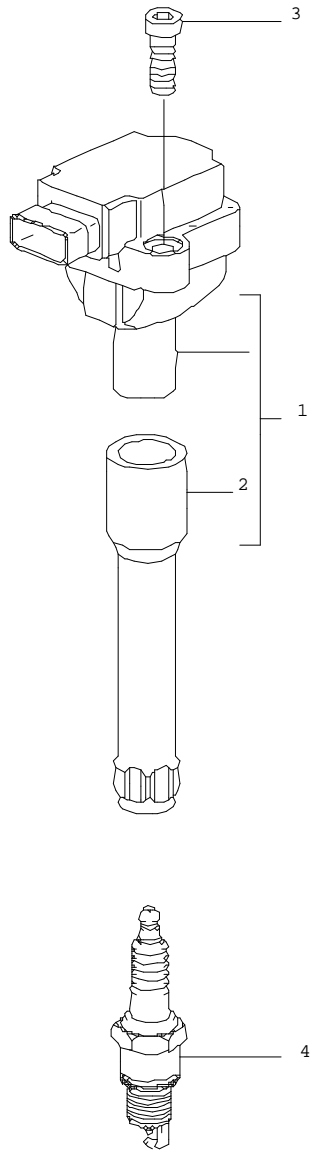
# PET

PORSCHE

Model 997	Year 05	MG 8	SG 98	Illustration REP	Restrictions	Update 179	11:12	18.08.2004
--------------	------------	---------	----------	---------------------	--------------	---------------	-------	------------

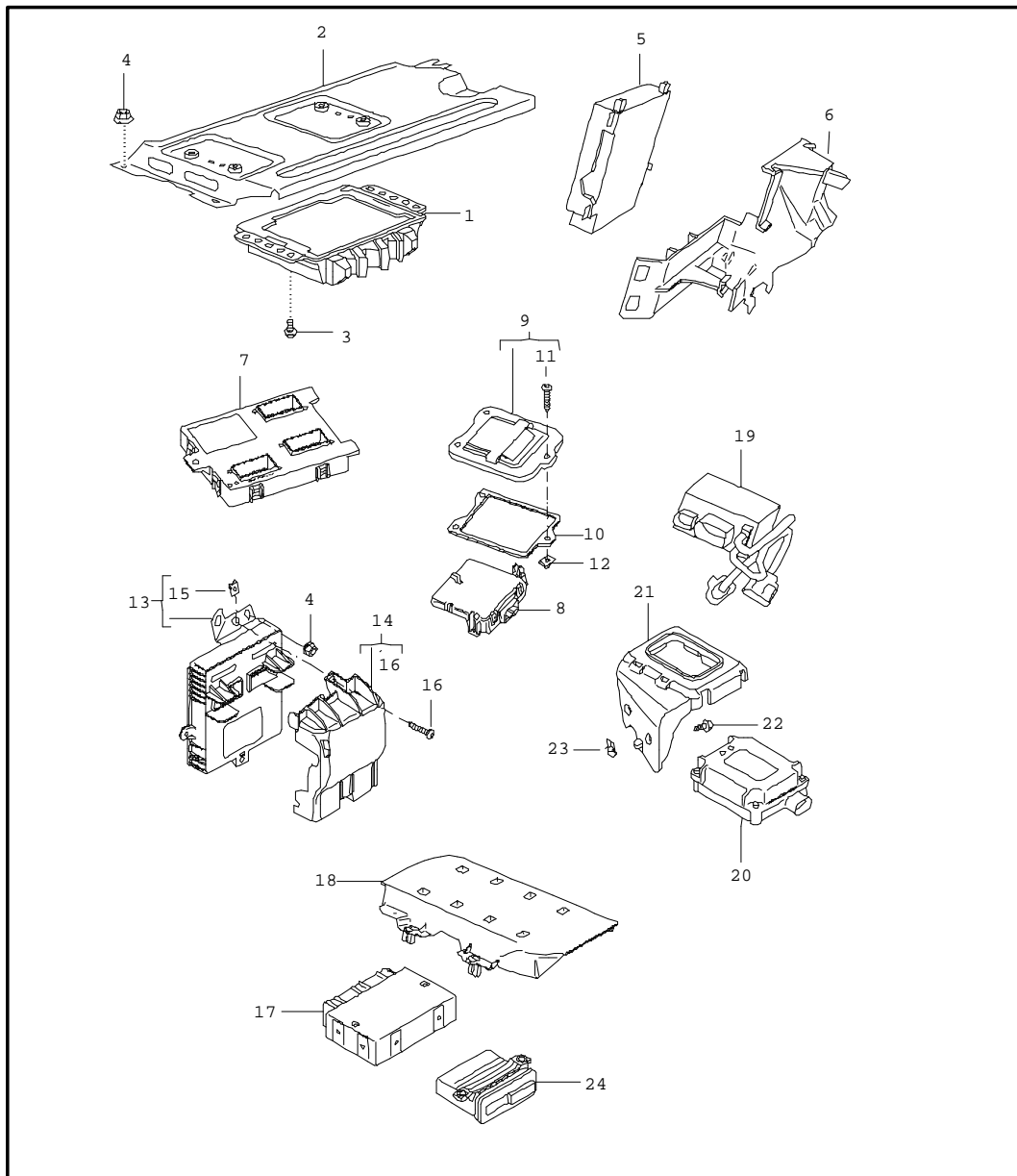
Pos	Part Number	Name	Remarks	Qty	Model
		repair kits			
		set of locks			
>>	> 997 538 011 00	set of locks		1	I 098
>>	> 997 538 011 01	set of locks		1	I 099
		- - - E N D - - -			

Model	Year	MG	SG	Illustration	Restrictions	Update	10:33	18.08.2004	PORSCHE	PET	PORSCHE
997	05	9	01	901-00		179					



Pos	Part Number	Name	Remarks	Qty	Model
		ignition system			
1	996 602 104 00	ignition coil		6	
2	996 602 105 00	spark plug socket		6	
3	900 387 008 09	torx screw M 6 X 25		12	
4	999 170 223 90	spark plug FGR 5KQE0		6	M 96.05/ M 97.01
		- - - E N D - - -			

Model	Year	MG	SG	Illustration	Restrictions	Update	10:33	18.08.2004	PORSCHE	PET	PORSCHE
997	05	9	01	901-03		179					



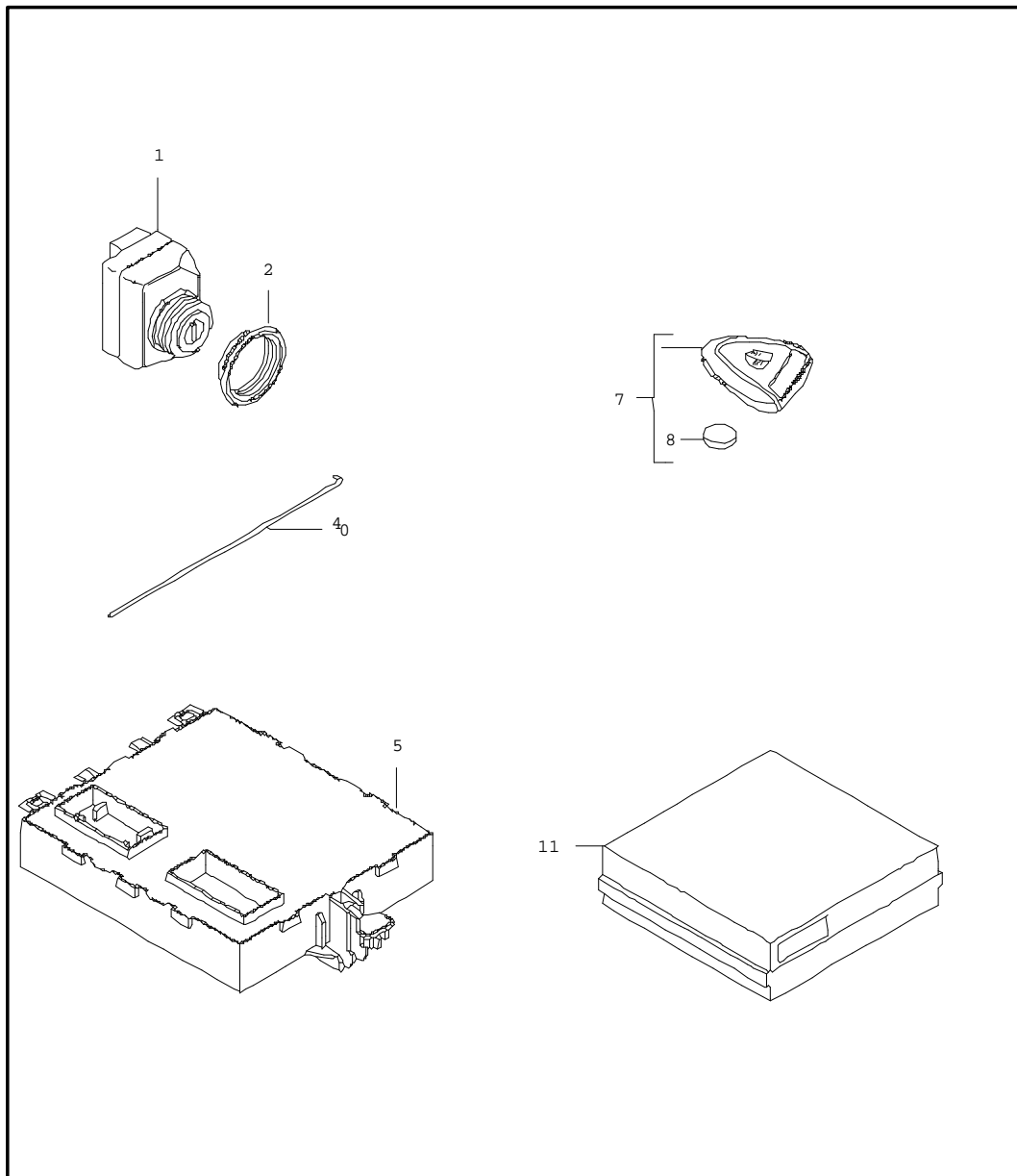
Pos	Part Number	Name	Remarks	Qty	Model
		control units			
1	997 618 601 01	control unit - dme -		1	
2	996 618 129 01	support control unit - dme -		1	COUPE
3	900 378 036 09	hexagon-head bolt M 6 X 12		4	COUPE
4	999 084 629 09	hexagon nut M 6		3	COUPE
5	997 618 180 03	control unit tiptronic		1	I249
6	996 618 257 01	support control unit tiptronic		1	I249
7	997 610 102 03	control unit vehicle electrical system		1	
8	997 610 107 02	control unit gateway		1	
9	997 572 419 00	cover		1	
10	996 572 221 02	gasket		1	
11	900 143 094 09	tapping screw ST 4,8 X 19		3	
12	999 591 855 02	speed nut ST 4,8		3	
13	997 610 106 03	control unit front trunk		1	
(13)	997 610 105 03	control unit front trunk		1	I601
14	997 551 536 00	cover		1	
15	999 507 462 02	speed nut 4,8		1	
16	999 073 061 02	tapping screw 4,8 X 16		1	
17	997 618 260 03	control unit rear end		1	



Model	Year	MG	SG	Illustration	Restrictions	Update	10:33	18.08.2004	PORSCHE	PET	PORSCHE
997	05	9	01	901-03		179					

Pos	Part Number	Name	Remarks	Qty	Model	Pos	Part Number	Name	Remarks	Qty	Model
18	997 618 371 01	support		1							
19	997 618 436 00	control unit cooling air control		1							
20	997 618 225 00	control unit garage door opener		1	I608						
20	997 618 227 00	control unit garage door opener		1	I607						
21	997 618 257 00	support control unit garage door opener		1							
22	900 075 466 09	hexagon-head bolt M 6 X 16		2							
23	999 591 882 02	speed nut M 6		2							
24	996 618 171 03	control unit park distance control		1	I635						
		sensor see group 8/02/05			I635						
		- - - E N D - - -									

Model	Year	MG	SG	Illustration	Restrictions	Update	10:33	18.08.2004	PORSCHE	PET	PORSCHE
997	05	9	01	901-04		179					

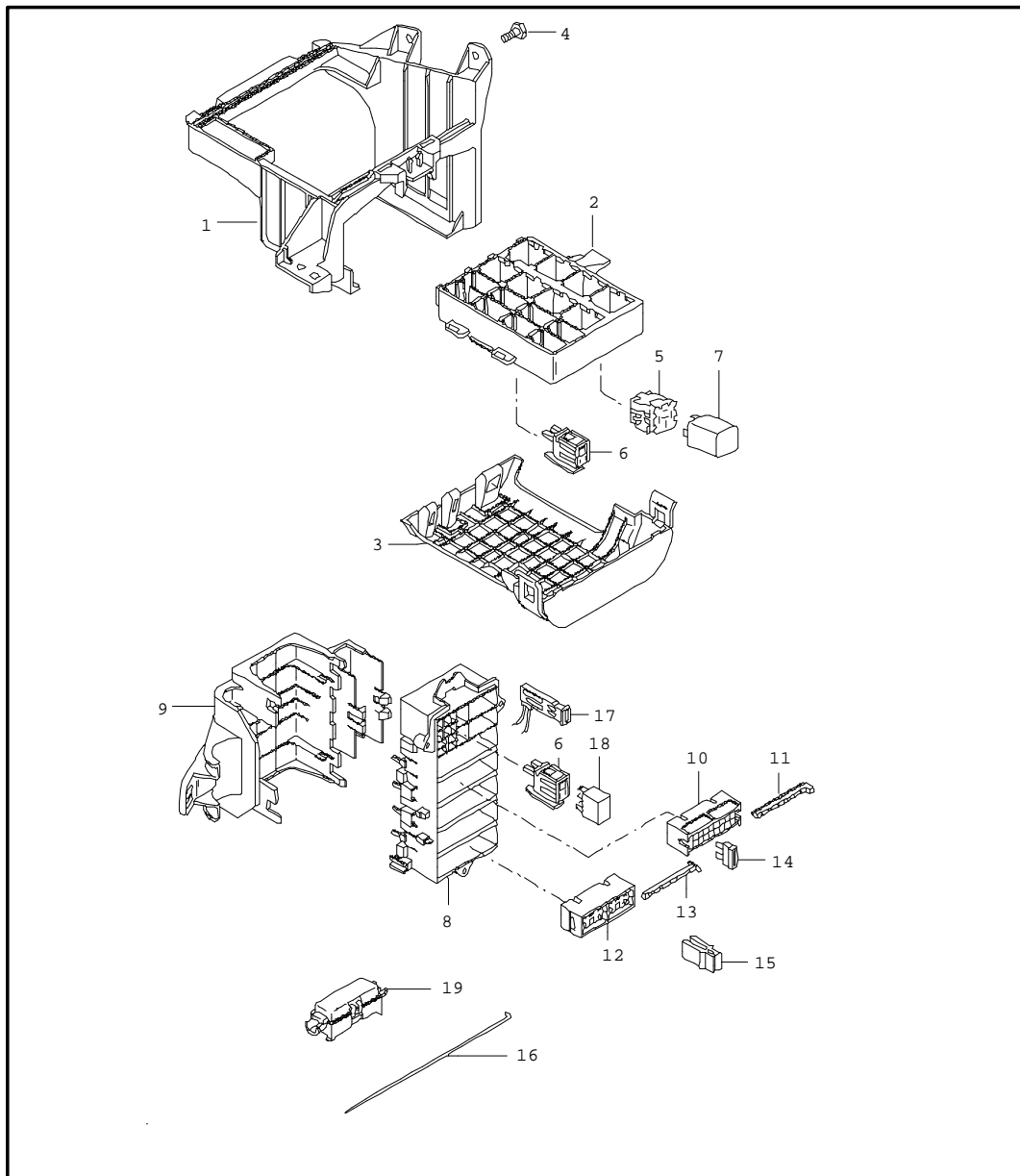


Pos	Part Number	Name	Remarks	Qty	Model
		control units ignition starter switch PORSCHE ACCES SYSTEM			
1	997 618 159 02	control unit ignition starter switch		1	
2	997 618 759 00	nut		1	
4	997 618 761 00	emergency operation release ignition starter switch		1	
5	997 618 171 06	control unit PORSCHE ACCESS SYSTEM		1	I534
5	997 618 172 06	control unit PORSCHE ACCESS SYSTEM		1	I535
5	997 618 173 06	control unit PORSCHE ACCESS SYSTEM		1	(J) I535
-	997 612 053 00	connecting line antenna booster control unit POS. 5	/LL	1	
-	997 612 054 00	connecting line antenna booster control unit POS. 5	/RL	1	
7	997 637 244 23	remote control		1	COUPE I534
7	997 637 244 24	remote control		1	COUPE I535
7	997 637 244 25	remote control		1	COUPE (J) I535
8	999 611 108 00	battery		1	
-	996 637 443 00	emblem coloured for remote control		1	
11	997 618 210 00	sensor interior monitoring		1	
		alarm siren tilt sensor see group 9/03/00			I536 I536

Model	Year	MG	SG	Illustration	Restrictions	Update	10:33	18.08.2004	PORSCHE	PET	PORSCHE
997	05	9	01	901-04		179					

Pos	Part Number	Name	Remarks	Qty	Model	Pos	Part Number	Name	Remarks	Qty	Model
		- - - E N D - - -									

Model	Year	MG	SG	Illustration	Restrictions	Update	10:33	18.08.2004	PORSCHE	PET	PORSCHE
997	05	9	02	902-00		179					

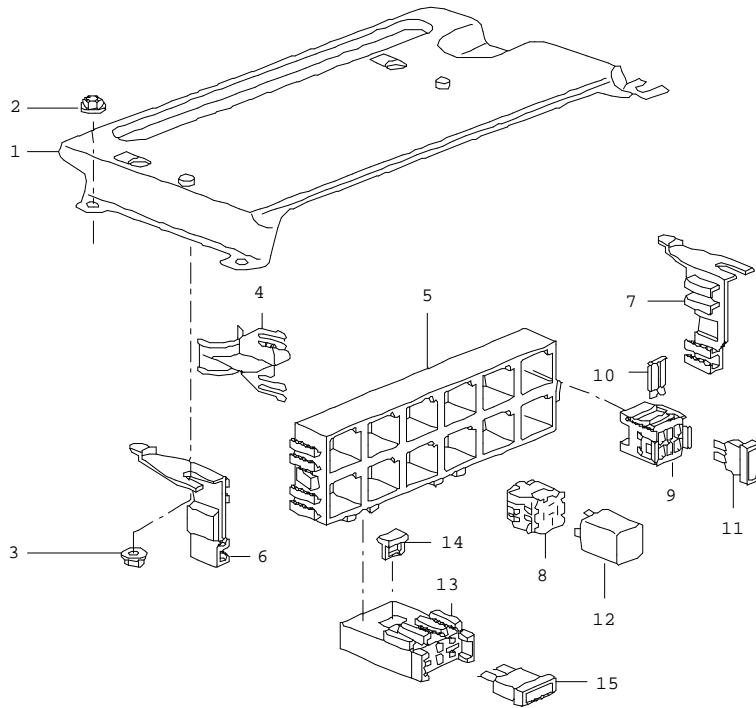


Pos	Part Number	Name	Remarks	Qty	Model
		central electrical system dashboard			
1	997 610 117 01	support	/LL	1	
(1)	997 610 118 00	support	/RL	1	
2	997 610 110 00	relay carrier support frame		1	
3	997 610 112 00	cover support frame		1	
4	900 378 155 09	hexagon-head bolt M 6 X 16 ASP		2	
(4)	900 377 010 09	hexagon nut M 6		1	
5	928 610 511 00	relay carrier		X	
6	999 650 538 40	relay carrier		X	
7	-	relay			
S 4	999 657 007 90	relay KL. X		1	
S 6	999 657 007 90	relay KL. 86S		1	
S 8	999 657 007 90	relay fuel pump		1	
S 11	999 657 009 90	relay - dme -		1	
S 12	999 657 009 90	relay heating		1	
S 14	999 657 009 90	relay headlight washer system		1	I288
S 15	999 657 009 90	relay starter		1	
S 16	999 657 009 90	relay KL. 15		1	
8	997 610 340 00	bracket		1	
9	997 610 341 00	cover		1	
10	999 650 209 40	fuse holder		4	

Model	Year	MG	SG	Illustration	Restrictions	Update	10:33	18.08.2004	PORSCHE	PET	PORSCHE
997	05	9	02	902-00		179					

Pos	Part Number	Name	Remarks	Qty	Model	Pos	Part Number	Name	Remarks	Qty	Model
11	999 650 210 40	slide		4		-	-	cover		X	
12	999 650 750 40	fuse holder		1				for			
13	999 650 749 40	slide		1				housing			
14	999 607 082 00	fuse 5 A		X				fuse			
(14)	999 607 083 00	fuse 7 , 5 A		X				see group			
(14)	999 607 084 00	fuse 10 A		X				8 / 07 / 02			
(14)	999 607 085 00	fuse 15 A		X				- - - E N D - - -			
(14)	999 607 087 00	fuse 25 A		X							
(14)	999 607 088 00	fuse 30 A		X							
(14)	999 607 072 00	fuse 30 A large		X							
(14)	999 607 073 00	fuse 40 A large		X							
15	999 107 300 40	tool		X							
-	997 610 195 01	indication sticker fuse		X							
16	997 618 761 00	emergency operation release ignition starter switch  emergency operation cover		1							
17	996 610 240 00	terminal clamp		1							
18	999 657 010 90	relay		1							
19	999 650 026 99	fuse holder with fuse 50 A for cooling air control		1							

Model	Year	MG	SG	Illustration	Restrictions	Update	10:34	18.08.2004	PORSCHE	PET	PORSCHE
997	05	9	02	902-01		179					

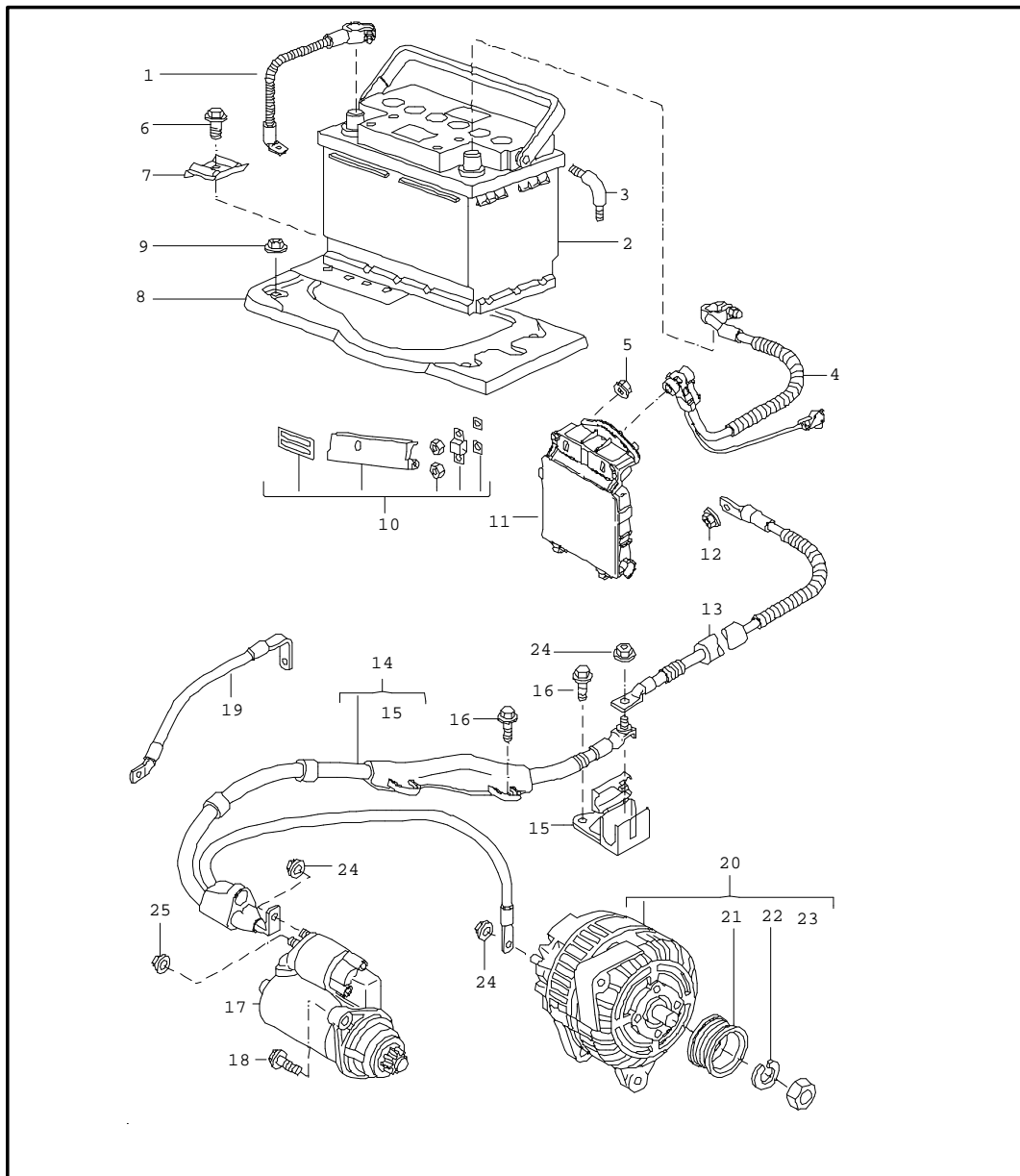


Pos	Part Number	Name	Remarks	Qty	Model
		central electrical system rear end			
1	996 610 129 02	plate		1	COUPE
2	999 084 629 09	hexagon nut M 6		2	COUPE
3	900 380 015 09	hexagon nut M 6		2	COUPE
4	996 610 112 00	cable holder		1	COUPE
5	996 610 111 00	relay carrier support frame		X	
6	996 610 126 00	support	/R	1	
7	996 610 127 00	support M 5	/L	1	
8	928 610 511 00	relay carrier		X	
9	999 650 747 40	fuse holder		1	
10	999 650 748 40	locking device		1	
11	999 607 083 00	fuse 7,5 A		X	
11	999 607 085 00	fuse 15 A		X	
12	-	relay			
S 1	999 657 009 90	relay rear window heating rear window heating		1	COUPE
S 3	964 615 215 00	relay air conditioner		1	I573
S 8	999 657 011 90	relay blower engine compartment		1	
S 9	999 657 008 90	relay secondary pump		1	I661
13	999 650 193 40	fuse holder		3	
14	999 650 371 40	locking device		3	

Model	Year	MG	SG	Illustration	Restrictions	Update	10:34	18.08.2004	PORSCHE	PET	PORSCHE
997	05	9	02	902-01		179					

Pos	Part Number	Name	Remarks	Qty	Model	Pos	Part Number	Name	Remarks	Qty	Model
15	999 607 073 00	fuse 40 A large		3							
		- - - E N D - - -									

Model	Year	MG	SG	Illustration	Restrictions	Update	10:34	18.08.2004	PORSCHE	PET	PORSCHE
997	05	9	02	902-05		179					



Pos	Part Number	Name	Remarks	Qty	Model
		battery power distributor starter generator			
1	996 611 090 06	ground strap	/LL	1	
(1)	996 611 091 05	ground strap	/RL	1	
(2)	999 611 070 20	battery 70 AH		1	
2	999 611 080 20	battery 80 AH		1	
3	893 915 507	angled pipe		1	
4	997 612 993 00	repair kit wiring harness battery power distributor	/LL	1	
(4)	997 612 995 00	repair kit wiring harness battery power distributor	/RL	1	
5	900 380 005 09	hexagon nut VM 8		2	
6	900 378 017 09	hexagon-head bolt M 8 X 20		1	
7	996 611 209 00	rail		1	
8	996 504 151 00	carrier plate for battery		1	
-	996 504 622 00	gasket carrier plate for battery		1	
9	999 084 630 09	hexagon nut VM 8 SB		4	
10	997 610 912 00	repair kit replacement fuse element comprising:		1	
-	-	fuse element 50 AMPERE		1	
-	-	fuse element 80 AMPERE		1	



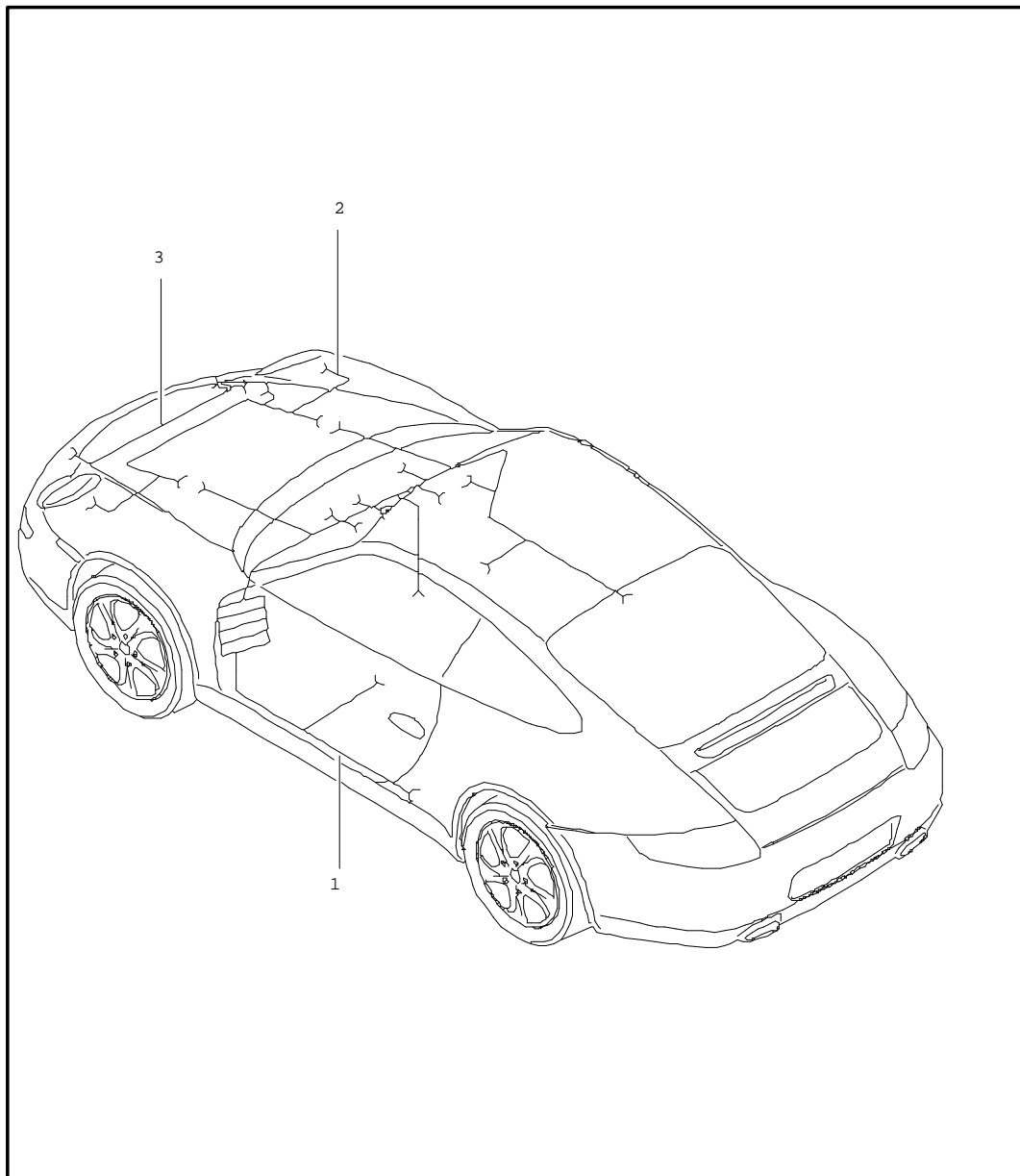
Model	Year	MG	SG	Illustration	Restrictions	Update	10:34	18.08.2004	PORSCHE	PET	PORSCHE
997	05	9	02	902-05		179					

Pos	Part Number	Name	Remarks	Qty	Model	Pos	Part Number	Name	Remarks	Qty	Model
-	-	hexagon nut M 5		4		13	997 612 090 00	cable power distributor connection point		1	I480
-	-	square washer		4		(13)	997 612 091 01	cable power distributor connection point		1	I249
-	-	cover blue		1							
-	-	seal label red		1		14	997 607 019 02	wiring harness with connection point generator starter		1	I480
(10)	997 610 913 00	repair kit replacement fuse element comprising:		1		(14)	997 607 018 03	wiring harness with connection point generator starter		1	I249
-	-	fuse element 150 AMPERE		1							
-	-	hexagon nut M 8		2		15	997 607 201 00	connection point complete		1	I480
-	-	square washer		2		(15)	997 607 301 00	connection point complete		1	I249
-	-	cover blue		1							
-	-	seal label red		1		16	900 385 009 09	torx screw BM 6 X 16		4	I480
										2	I249
11	997 610 911 00	repair kit replacement power distributor comprising:		1		(16)	999 919 046 02	screw 5 X 16		1	I249
-	-	power distributor without fuse element		1		17	996 604 103 00	starter		1	
-	-	hexagon nut M 5		8		18	900 385 097 09	torx screw BM 10 X 35		2	
-	-	hexagon nut M 8		3		19	996 607 030 00	ground strap engine body		1	
-	-	seal label red when required order also: POS. 12		1		20	997 603 012 00	generator with pulley without free wheel lock		1	I249
12	900 084 123 02	hexagon nut M 8		1		20	997 603 012 01	generator with pulley free wheel lock		1	I480

Model	Year	MG	SG	Illustration	Restrictions	Update	10:34	18.08.2004	PORSCHE	PET	PORSCHE
997	05	9	02	902-05		179					

Pos	Part Number	Name	Remarks	Qty	Model	Pos	Part Number	Name	Remarks	Qty	Model
21	996 603 151 55	pulley without free wheel lock		1	I249						
(21)	996 603 152 50	pulley with free wheel lock		1	I480						
22	N 012 016 1	lock ring B 16		1							
23	900 034 013 02	hexagon nut M 16 X 1,5		1							
-	996 603 113 00	protection cap		1	I249						
-	996 603 153 50	protection cap		1	I480						
		mounting parts generator									
-	900 385 097 09	torx screw BM 10 X 35		1							
-	900 385 092 04	torx screw BM 10 X 145		1							
24	900 377 003 02	hexagon nut M 8		3							
25	900 377 010 09	hexagon nut M 6		1							
		- - - E N D - - -									

Model	Year	MG	SG	Illustration	Restrictions	Update	10:34	18.08.2004	PORSCHE	PET	PORSCHE
997	05	9	02	902-10		179					

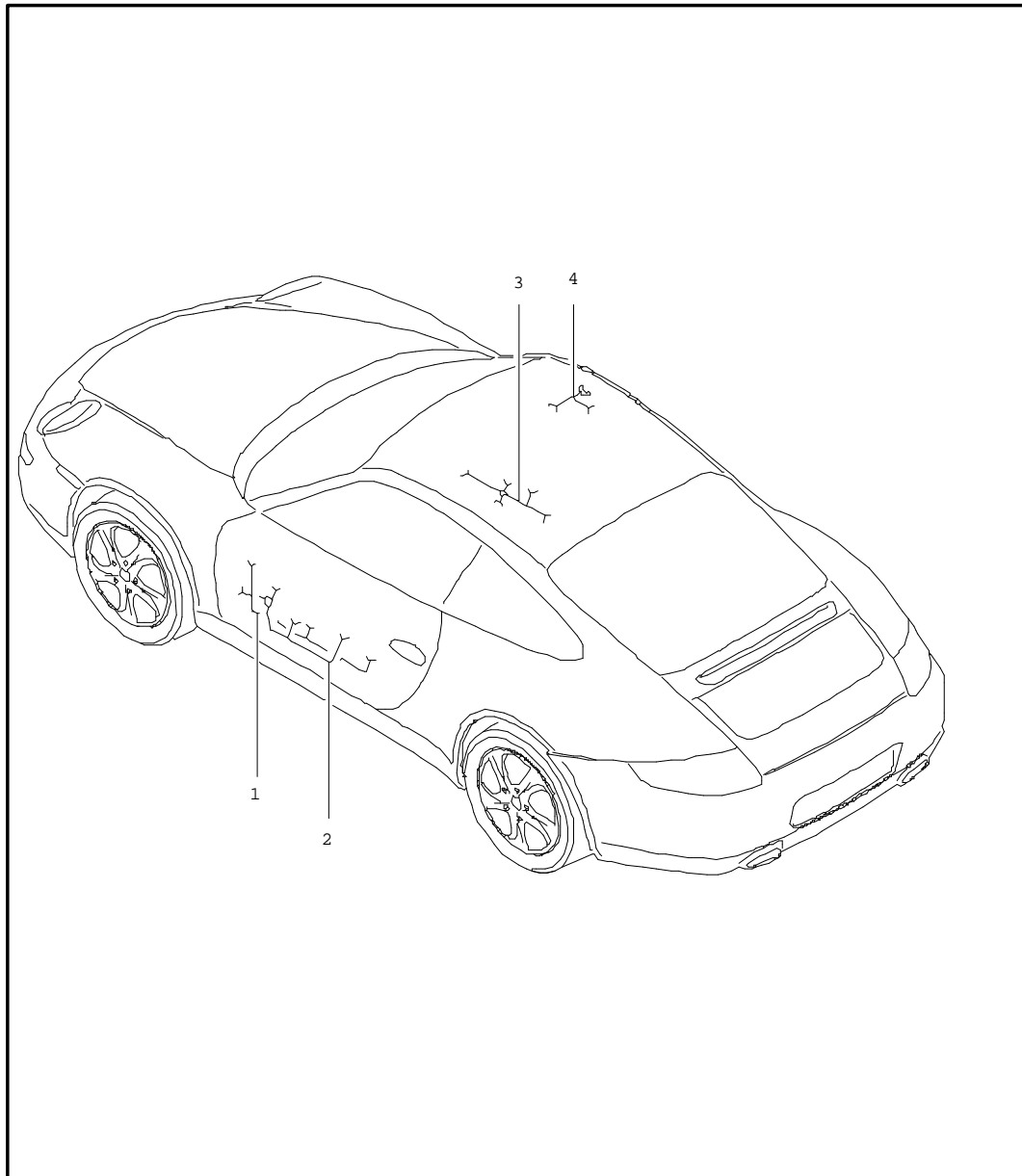


Pos	Part Number	Name	Remarks	Qty	Model
		harnesses passenger compartment front trunk lining front airbag seat-belt tensioner repair kits shock absorber anti-lock brake system brake pad wear indicator front axle			I475
1	997 612 903 00	wiring harness passenger compartment vehicle identification no. indicate		1	
2	997 612 520 00	wiring harness front trunk		1	
(2)	997 612 521 00	wiring harness front trunk		1	I601
3	997 612 501 00	wiring harness lining front		1	
-	997 612 781 00	wiring harness airbag passenger's side setting 1		1	
-	997 612 783 00	wiring harness airbag passenger's side setting2		1	
-	997 612 780 00	wiring harness airbag doors		2	
-	997 612 793 00	wiring harness side airbag see catalogue seat group 8/56/06 8/56/21		2	
-	997 612 793 00	wiring harness seat-belt tensioner		2	

Model	Year	MG	SG	Illustration	Restrictions	Update	10:34	18.08.2004	PORSCHE	PET	PORSCHE
997	05	9	02	902-10		179					

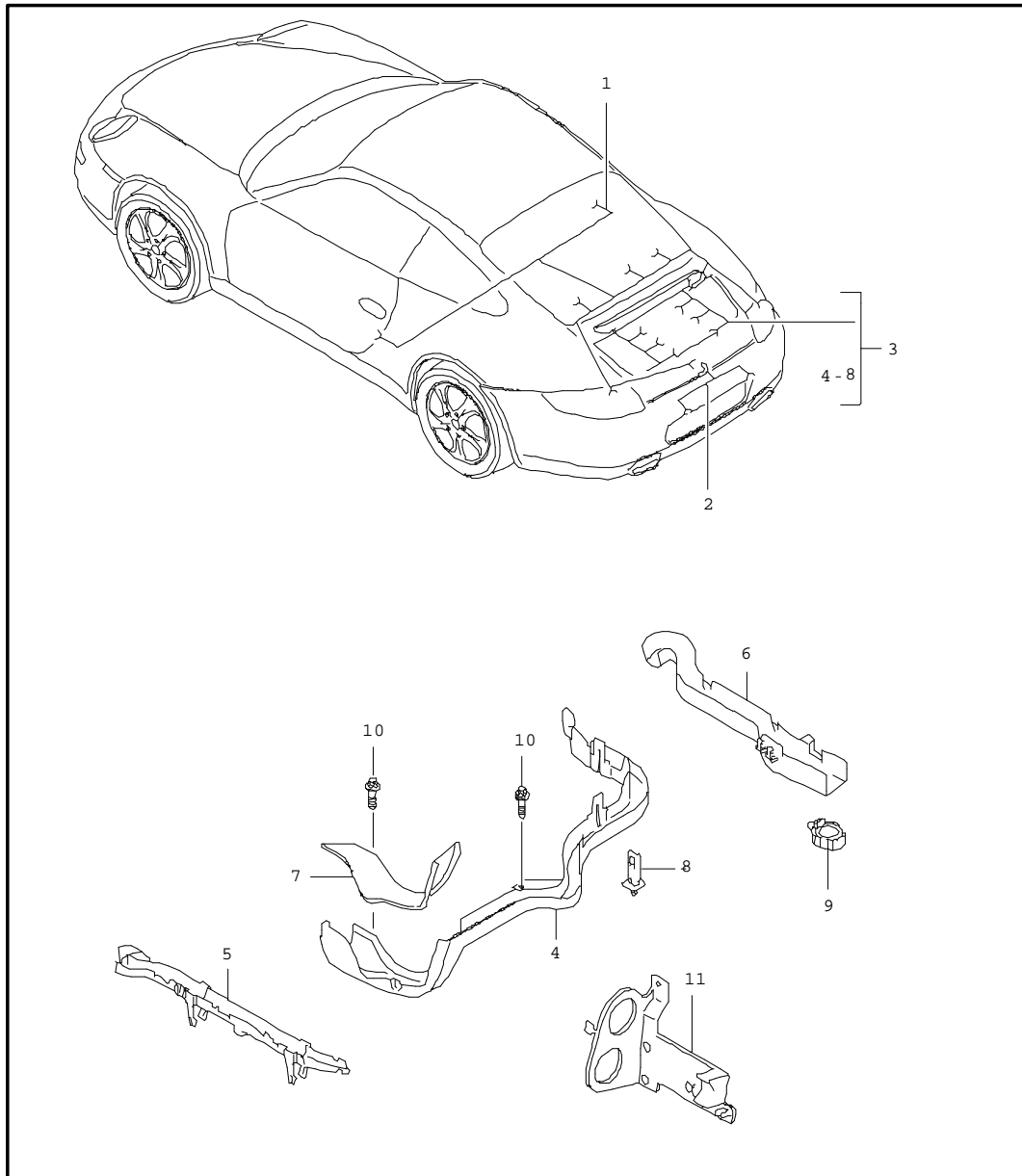
Pos	Part Number	Name	Remarks	Qty	Model	Pos	Part Number	Name	Remarks	Qty	Model
-	997 612 950 00	repair kit wiring harness shock absorber		2	I475						
		repair kit wiring harness anti-lock brake system brake pad wear indicator front axle									
-	997 612 961 00	repair kit wiring harness	/V/L	1							
-	997 612 960 00	repair kit wiring harness when required order also:	/V/R	1							
-	999 513 049 40	tie-wrap		4							
		repair kit wiring harness rear axle see group 9/02/20									
		- - - E N D - - -									

Model	Year	MG	SG	Illustration	Restrictions	Update	10:34	18.08.2004	PORSCHE	PET	PORSCHE
997	05	9	02	902-15		179					



Pos	Part Number	Name	Remarks	Qty	Model
		harnesses doors centre console glove compartment			
1	997 612 642 00	wiring harness wiper frame driver's door	/LL	1	
(1)	997 612 644 00	wiring harness wiper frame driver's door	/RL	1	
(1)	997 612 643 00	wiring harness wiper frame passenger's door	/LL	1	
(1)	997 612 645 00	wiring harness wiper frame passenger's door	/RL	1	
2	997 612 647 00	wiring harness door panel driver's door	/LL	1	
(2)	997 612 650 00	wiring harness door panel driver's door	/RL	1	
(2)	997 612 648 00	wiring harness door panel passenger's door	/LL	1	
(2)	997 612 649 00	wiring harness door panel passenger's door	/RL	1	
3	997 612 652 00	wiring harness centre console		1	COUPE
4	997 612 651 00	wiring harness glove compartment		1	
		- - - E N D - - -			

Model	Year	MG	SG	Illustration	Restrictions	Update	10:34	18.08.2004	PORSCHE	PET	PORSCHE
997	05	9	02	902-20		179					



Pos	Part Number	Name	Remarks	Qty	Model
		harnesses rear end license plate light engine transmission repair kits shock absorber anti-lock brake system brake pad wear indicator rear axle			I249 I475
1	997 612 904 00	wiring harness rear end vehicle identification no. indicate		1	
2	997 612 660 00	wiring harness license plate light		1	
(2)	997 612 661 00	wiring harness park distance control license plate light		1	I635
3	997 607 010 01	wiring harness engine		1	
4	997 607 110 00	cable guide crankcase		1	
5	997 607 111 00	cable guide cyl. 1 - 3		1	
6	997 607 112 00	cable guide cyl. 4 - 6		1	
7	997 607 113 00	cover cable guide		1	
8	997 607 114 00	support cable guide		1	
9	999 507 075 40	cable holder 3,0 - 12,0		1	
10	900 385 009 09	torx screw BM 6 X 16		2	
11	996 607 101 02	support connection point wiring harness engine		1	
-	996 612 401 00	wiring harness transmission		1	I249

Model	Year	MG	SG	Illustration	Restrictions	Update	10:34	18.08.2004	PORSCHE	PET	PORSCHE
997	05	9	02	902-20		179					

Pos	Part Number	Name	Remarks	Qty	Model	Pos	Part Number	Name	Remarks	Qty	Model
-	999 507 752 40	cable holder for wiring harness transmission		1	I249						
-	999 591 746 02	cable holder for wiring harness transmission		4	I249						
-	997 612 950 00	repair kit wiring harness shock absorber  repair kit wiring harness anti-lock brake system brake pad wear indicator rear axle		2	I475						
-	997 612 967 00	repair kit wiring harness	/H/L	1							
-	997 612 966 00	repair kit wiring harness when required order also:	/H/R	1							
-	999 507 960 02	cable holder  repair kit wiring harness front axle see group 9/02/10  - - - E N D - - -		4							

Model	Year	MG	SG	Illustration	Restrictions	Update	10:35	18.08.2004
997	05	9	02	902-50		179		

Pos	Part Number	Name	Remarks	Qty	Model
		optical waveguide module passenger compartment			
-	997 622 701 00	optical waveguide module	/LL	1	I670/680/ I689/692
-	997 622 701 50	optical waveguide module	/RL	1	I670/680/ I689/692
-	997 622 702 00	optical waveguide module	/LL	1	I666/689
-	997 622 702 50	optical waveguide module	/RL	1	I666/689
-	997 622 703 00	optical waveguide module	/LL	1	I666/670/ 680/692
-	997 622 703 50	optical waveguide module	/RL	1	I666/670/ 680/692
-	997 610 122 00	support connection point  module front trunk		1	
-	997 622 707 00	optical waveguide module	/LL	1	I670
-	997 622 707 50	optical waveguide module	/RL	1	I670
-	997 622 704 00	optical waveguide module	/LL	1	I680
-	997 622 704 50	optical waveguide module	/RL	1	I680
-	997 622 706 00	optical waveguide module	/LL	1	I692
-	997 622 706 50	optical waveguide module	/RL	1	I692
-	997 622 708 00	optical waveguide module	/LL	1	I664/692
-	997 622 710 00	optical waveguide module	/LL	1	I670/680
-	997 622 710 50	optical waveguide module	/RL	1	I670/680
-	997 622 714 00	optical waveguide module	/LL	1	I670/692
-	997 622 714 50	optical waveguide module	/RL	1	I670/692



PORSCHE

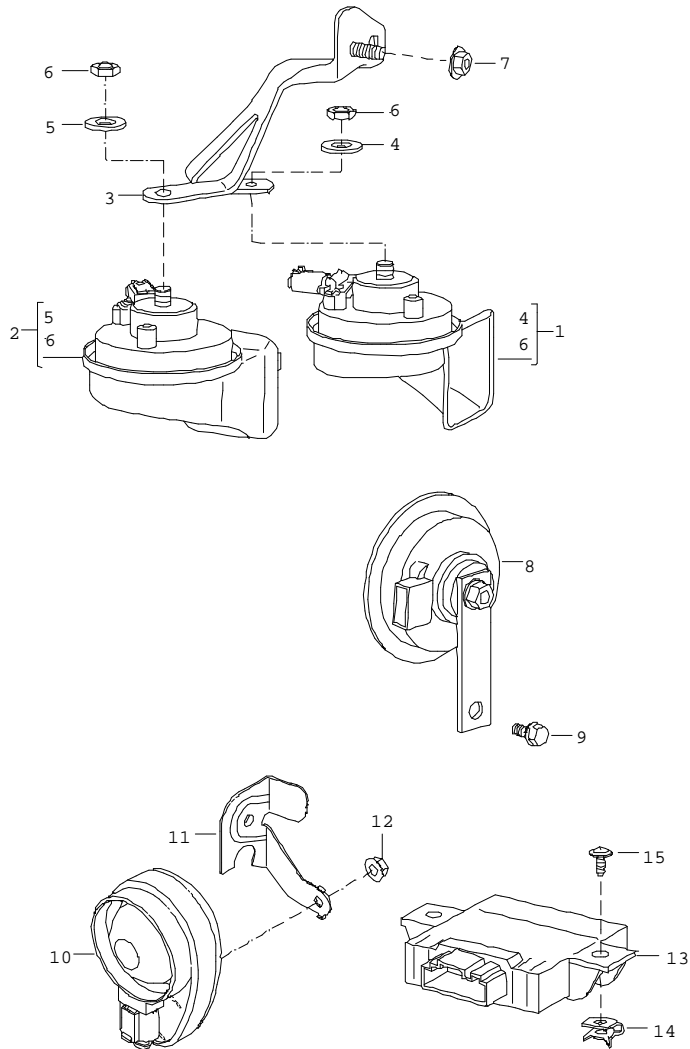
# PET

PORSCHE

Model	Year	MG	SG	Illustration	Restrictions	Update	10:35	18.08.2004
997	05	9	02	902-50		179		

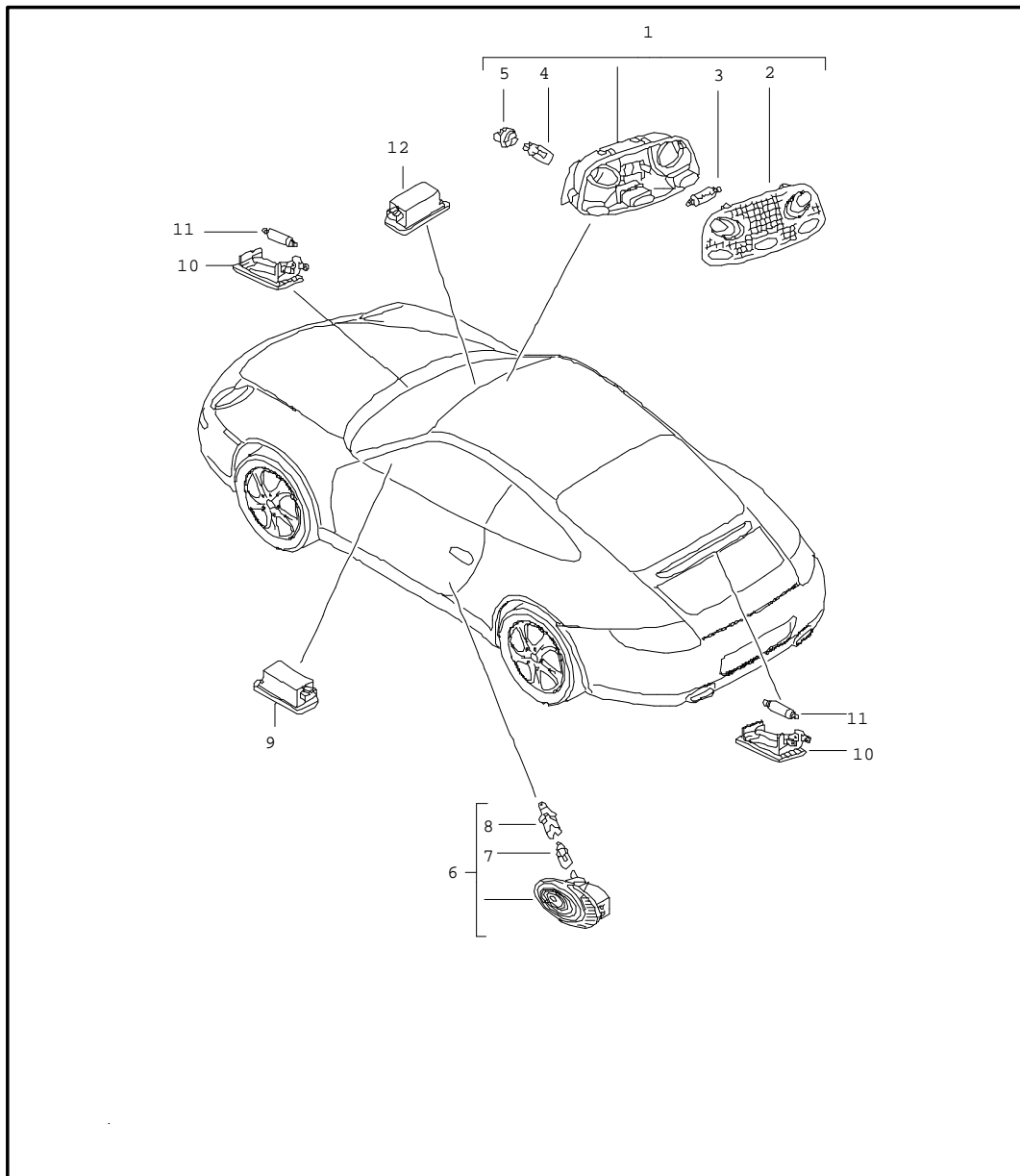
Pos	Part Number	Name	Remarks	Qty	Model
-	997 622 715 00	optical waveguide module	/LL	1	I664/670/692
-	997 622 709 00	optical waveguide module	/LL	1	I680/692
-	997 622 709 50	optical waveguide module	/RL	1	I680/692
-	997 622 712 00	optical waveguide module	/LL	1	I664/680/692
-	997 622 711 00	optical waveguide module	/LL	1	I670/680/692
-	997 622 711 50	optical waveguide module	/RL	1	I670/680/692
-	997 622 713 00	optical waveguide module	/LL	1	I664/670/ I680/692
		- - - E N D - - -			

Model	Year	MG	SG	Illustration	Restrictions	Update	10:35	18.08.2004	PORSCHE	PET	PORSCHE
997	05	9	03	903-00		179					



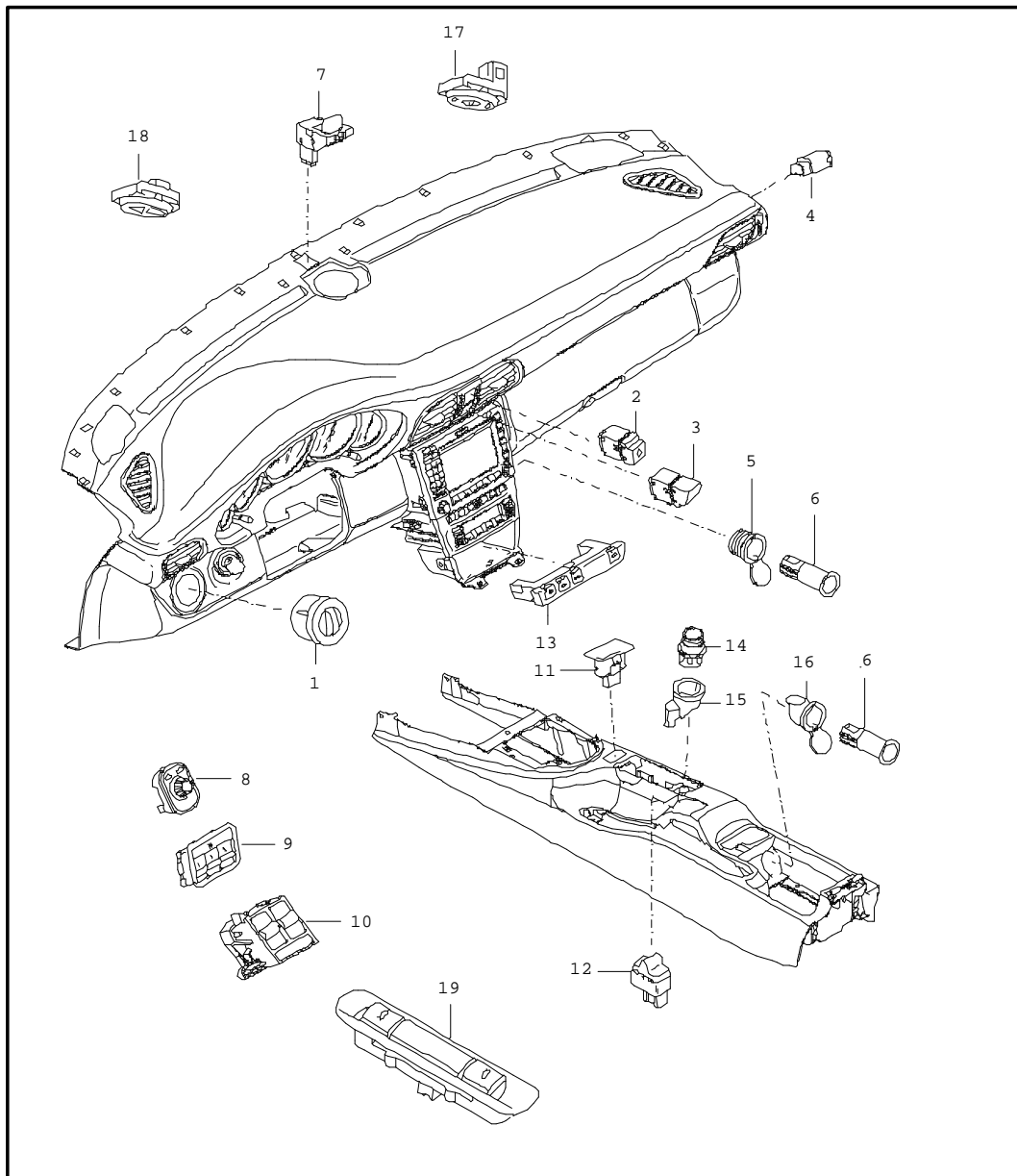
Pos	Part Number	Name	Remarks	Qty	Model
		fanfare horn alarm system			I536
1	997 635 206 00	fanfare high-pitched		1	
2	997 635 205 00	fanfare low-pitched		1	
3	997 635 150 01	support		1	
4	997 635 315 00	washer high-pitched		1	
5	997 635 305 00	washer low-pitched		1	
6	N 011 118 8	hexagon nut M 8		2	
7	900 377 003 02	hexagon nut M 8		1	
8	N 996 637 117 02	horn for alarm system		1	
9	900 075 459 09	screw M 6 X 12 Z2		1	
10	955 618 237 00	alarm siren		1	I536
11	997 637 419 01	support		1	I536
12	900 380 015 09	hexagon nut M 6		1	I536
13	997 618 265 00	tilt sensor		1	I536
14	999 591 742 02	speed nut 4,2		2	I536
15	999 073 155 09	tapping screw 4,2 X 13		2	I536
- - - E N D - - -					

Model	Year	MG	SG	Illustration	Restrictions	Update	10:35	18.08.2004	PORSCHE	PET	PORSCHE
997	05	9	03	903-04		179					



Pos	Part Number	Name	Remarks	Qty	Model
		interior lights luggage boot lamp engine compartment lamp glove compartment light floor light			
1	997 632 051 00	interior light		1	
2	996 632 151 00	lens		1	
3	900 631 106 90	bulb 10 W		1	
4	999 631 134 90	bulb 6 W		2	
5	999 632 018 00	bulb holder		2	
6	996 632 132 01	door guard light		2	
7	999 631 032 90	bulb 5 W		2	
8	161 949 111	bulb holder		2	
9	955 632 202 00	light footwell		2	
10	997 632 201 00	light engine compartment luggage compartment		2	
11	900 631 106 90	bulb 10 W		2	
12	997 632 071 00	glove compartment light		1	
-	999 631 137 90	bulb 3 W make-up mirror		4	
		- - - E N D - - -			

Model	Year	MG	SG	Illustration	Restrictions	Update	10:35	18.08.2004	PORSCHE	PET	PORSCHE
997	05	9	03	903-05		179					

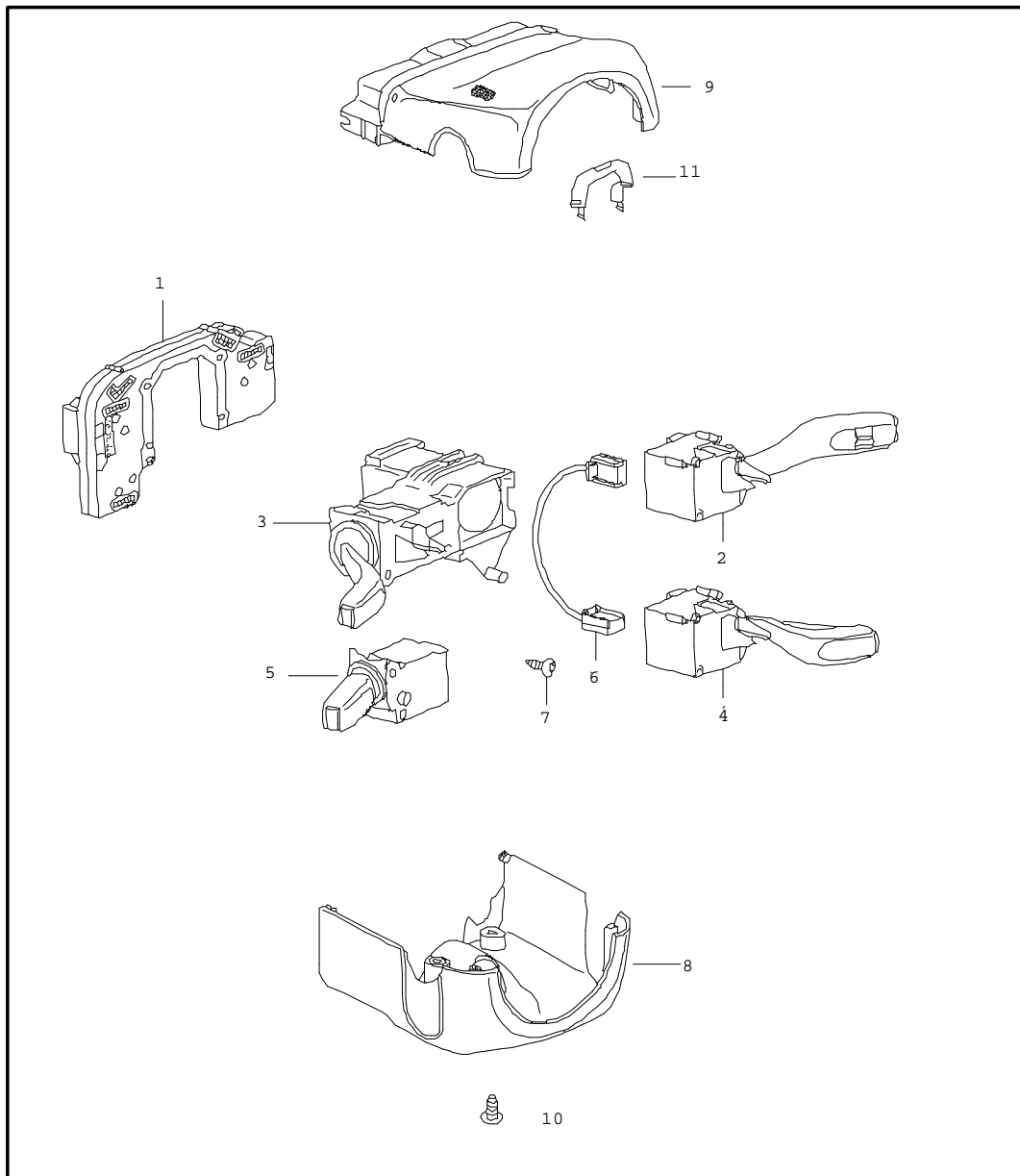


Pos	Part Number	Name	Remarks	Qty	Model
		switch			
1	997 613 535 01	light switch		1	
	A05	black mat			
2	997 613 120 01	hazard warning light sw.		1	
	A05	black mat			
3	997 613 143 00	switch central locking system		1	
	A05	black mat			
4	955 613 165 01	switch airbag		1	
	B41	satin black			
5	997 652 103 00	clamping ring with cover		1	
6	955 652 107 00	socket		2	
7	997 653 251 00	sensor air conditioner		1	I573
8	997 613 241 00	switch door mirror		1	
	A05	black mat			
9	997 613 103 00	memory switch	/L	1	I537
	A05	black mat			
(9)	997 613 104 00	memory switch	/R	1	I538
	A05	black mat			
10	997 613 151 02	switch power windows driver's side	/LL	1	COUPE
	A05	black mat			
(10)	997 613 152 02	switch power windows driver's side	/RL	1	COUPE
	A05	black mat			

Model	Year	MG	SG	Illustration	Restrictions	Update	10:35	18.08.2004	PORSCHE	PET	PORSCHE
997	05	9	03	903-05		179					

Pos	Part Number	Name	Remarks	Qty	Model	Pos	Part Number	Name	Remarks	Qty	Model
(10)	997 613 156 02	switch power windows	/LL	1		(18)	997 613 227 00	switch garage door opener	/R	1	I607/I608
	A05	black mat					A05	black mat			
(10)	997 613 155 02	switch passenger's side power windows	/RL	1		(18)	997 613 235 00	cover		2	
	A05	black mat					01C	satin black			
11	997 641 165 00	indicator light airbag		1		19	997 613 105 00	switch cover front and rear		1	
	A05	black mat					A05	black mat			
13	997 613 139 00	combined switch		1	I475/476/639 I640			- - - E N D - - -			
	FMH	volcano grey/black mat									
(13)	997 613 137 00	combined switch		1	I476/639/640						
	FMH	volcano grey/black mat									
(13)	997 613 135 00	combined switch		1	I475/476						
	FMH	volcano grey/black mat									
(13)	997 613 133 00	combined switch		1	I476						
	FMH	volcano grey/black mat									
14	996 652 101 10	cigarette lighter		1							
	A05	black mat									
15	997 652 102 00	headlight unit		1							
16	997 652 104 00	clamping ring with cover		1							
17	997 613 147 00	switch sunroof		1	I650						
	A05	black mat									
18	997 613 225 00	switch garage door opener	/L	1	I607/I608						
	A05	black mat									

Model	Year	MG	SG	Illustration	Restrictions	Update	10:35	18.08.2004	PORSCHE	PET	PORSCHE
997	05	9	03	903-10		179					

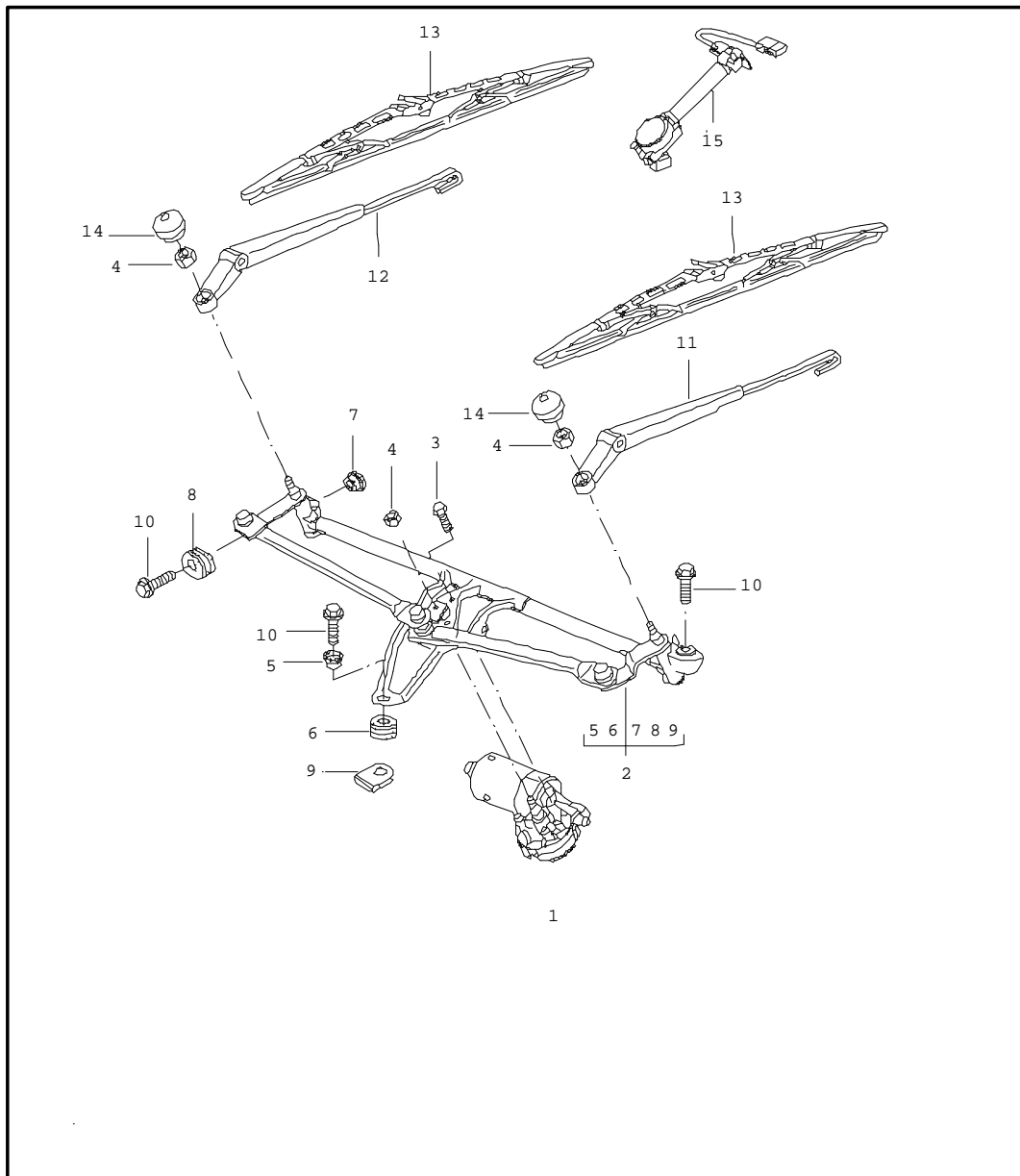


Pos	Part Number	Name	Remarks	Qty	Model
		steering column switch			
1	997 613 291 01	electronic unit		1	
2	997 613 251 00	wiper switch		1	
	01C	satin black			
(2)	997 613 253 00	wiper switch		1	I288
	01C	satin black			
(2)	997 613 255 00	wiper switch		1	I425
	01C	satin black			
(2)	997 613 257 00	wiper switch		1	I288/I425
	01C	satin black			
3	997 613 245 00	direction indicator switch		1	
	01C	satin black			
4	997 613 261 00	switch cruise control		1	I454
	01C	satin black			
5	997 613 265 00	switch on-board computer		1	I659
	01C	satin black			
6	997 622 674 00	wiring harness cruise control		1	I454
7	N 909 068 01	torx screw M 2,5 X 2,6 X 43,5-D		X	
8	997 552 475 02	switch housing lower		1	
	A03	black			
(8)	997 552 475 03	switch housing lower		1	I454
	A03	black			
9	997 552 273 02	switch housing upper		1	
	A03	black			

Model	Year	MG	SG	Illustration	Restrictions	Update	10:35	18.08.2004	PORSCHE	PET	PORSCHE
997	05	9	03	903-10		179					

Pos	Part Number	Name	Remarks	Qty	Model	Pos	Part Number	Name	Remarks	Qty	Model
10	999 919 136 02	oval-head screw 3,5 X 18		3							
11	997 610 206 00	cable guide		1							
		- - - E N D - - -									

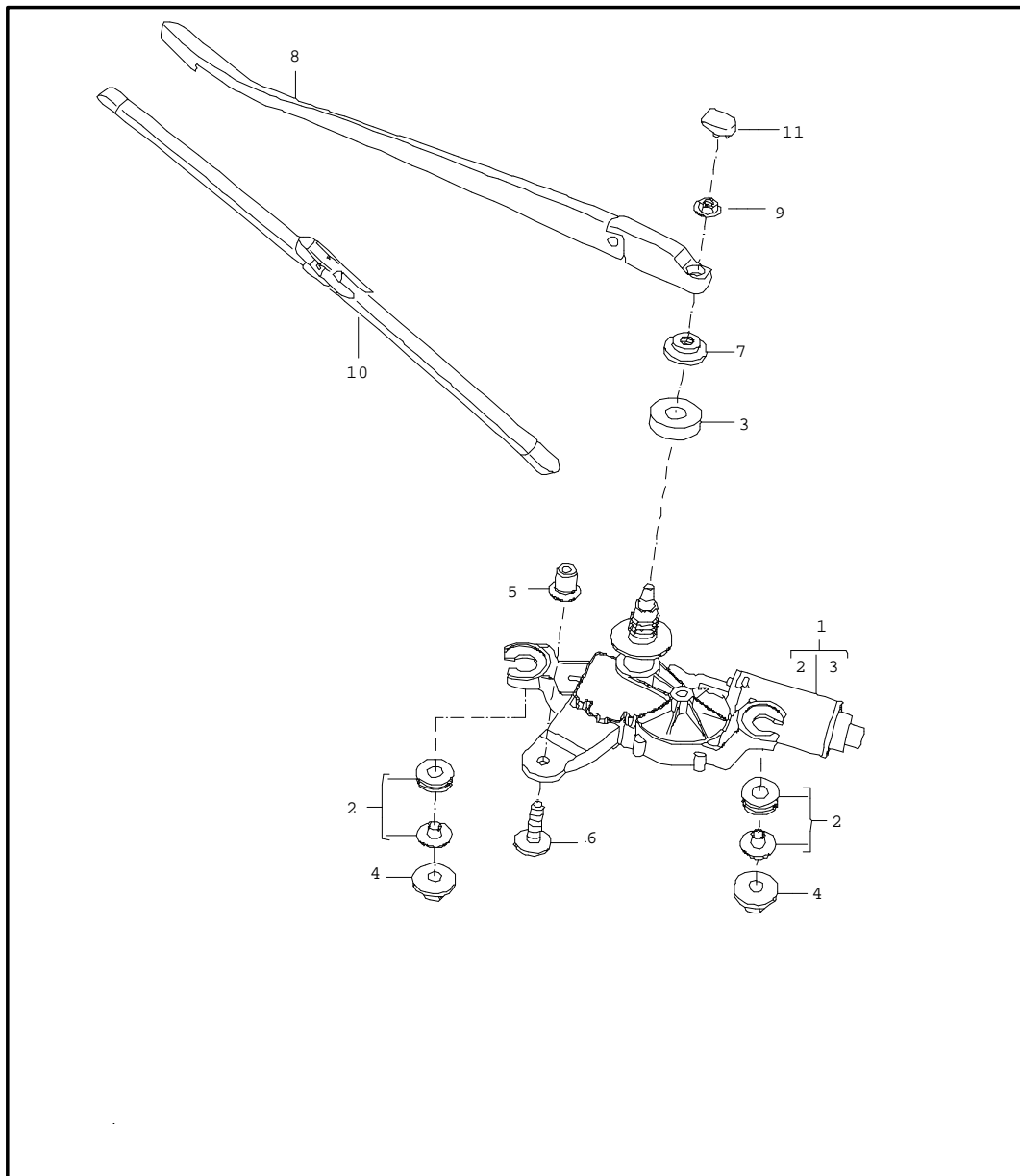
Model	Year	MG	SG	Illustration	Restrictions	Update	10:36	18.08.2004	PORSCHE	PET	PORSCHE
997	05	9	04	904-00		179					



Pos	Part Number	Name	Remarks	Qty	Model
		windscreen wiper system rain sensor			
1	997 624 105 00	wiper motor	/LL	1	
(1)	997 624 106 00	wiper motor	/RL	1	
2	997 628 235 00	crank drive	/LL	1	
(2)	997 628 236 00	crank drive	/RL	1	
10	999 075 075 09	screw M 6 X 22 Z2		3	
11	996 628 028 00	wiper arm driver's side	/LL	1	
(11)	996 628 027 01	wiper arm passenger's side	/RL	1	
12	996 628 028 01	wiper arm passenger's side	/LL	1	
(12)	996 628 027 00	wiper arm driver's side	/RL	1	
13	996 628 901 08	wiper blade set driver's side passenger's side		1	
14	944 628 305 01	cap		2	
15	997 612 693 00	rain sensor with wiring harness		1	COUPE_I268
(15)	997 612 694 00	rain sensor with wiring harness		1	COUPE_I267/ I268
-	000 043 204 65	adhesive film for rain sensor		1	
(15)	997 612 695 00	wiring harness with light for cars without rain sensor		1	COUPE
		- - - E N D - - -			

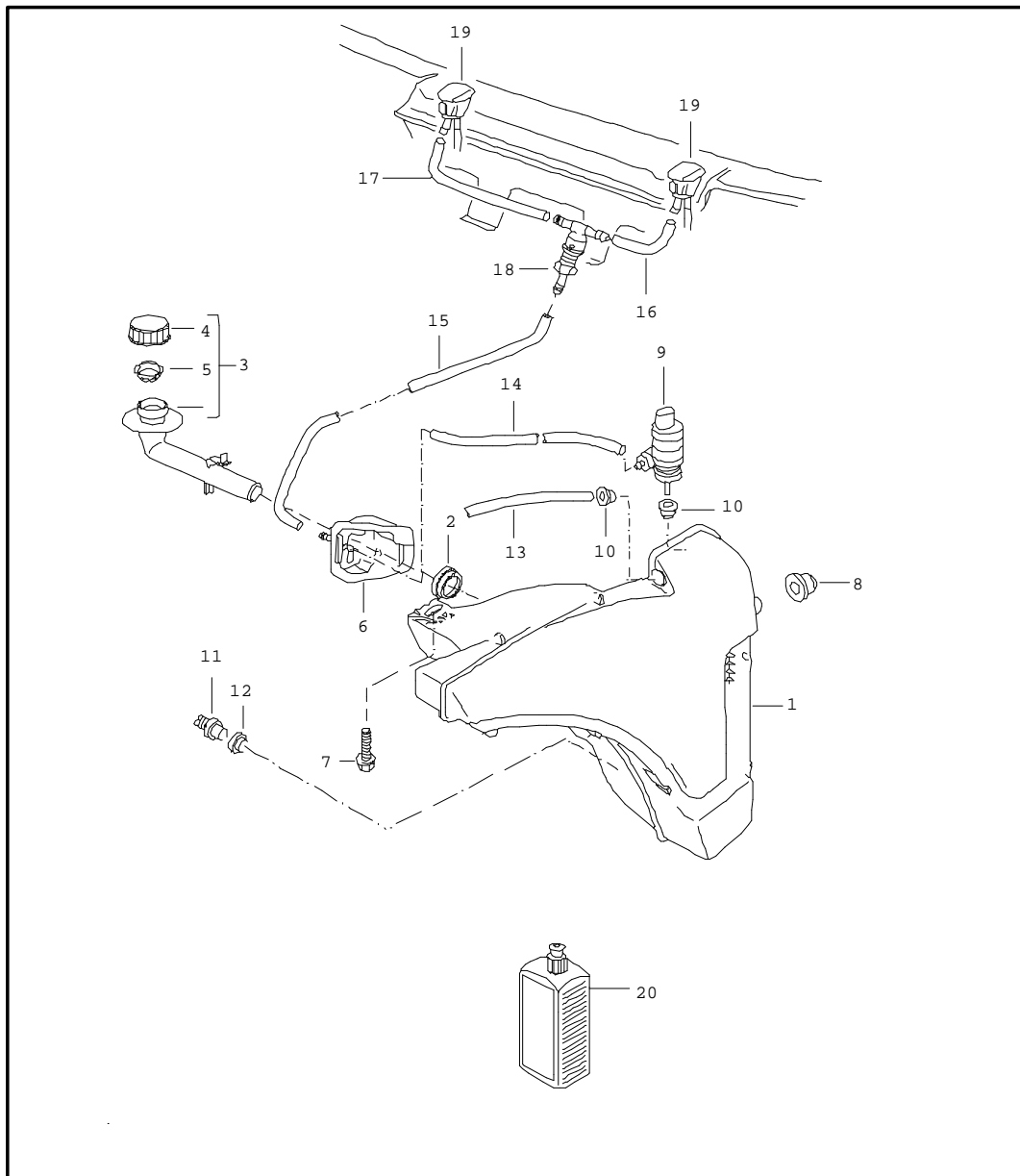


Model	Year	MG	SG	Illustration	Restrictions	Update	10:36	18.08.2004	PORSCHE	PET	PORSCHE
997	05	9	04	904-05		179					



Pos	Part Number	Name	Remarks	Qty	Model
		rear window wiper			I425
1	997 628 080 00	wiper motor		1	
2	997 628 908 00	repair kit comprising:		1	
-	-	grommet		2	
-	-	bush		2	
3	997 628 910 00	sealing ring		1	
4	999 076 078 09	hexagon nut M 6		2	
5	999 500 078 00	sheetmetal press nut		1	
6	999 075 075 09	screw M 6 X 22 Z2		1	
7	997 628 273 00	grommet		1	
8	997 628 169 00	wiper arm		1	
9	900 377 003 02	hexagon nut		1	
10	997 628 189 00	wiper blade		1	
11	997 628 122 00	cap		1	
		- - - E N D - - -			

Model	Year	MG	SG	Illustration	Restrictions	Update	10:36	18.08.2004	PORSCHE	PET	PORSCHE
997	05	9	04	904-10		179					

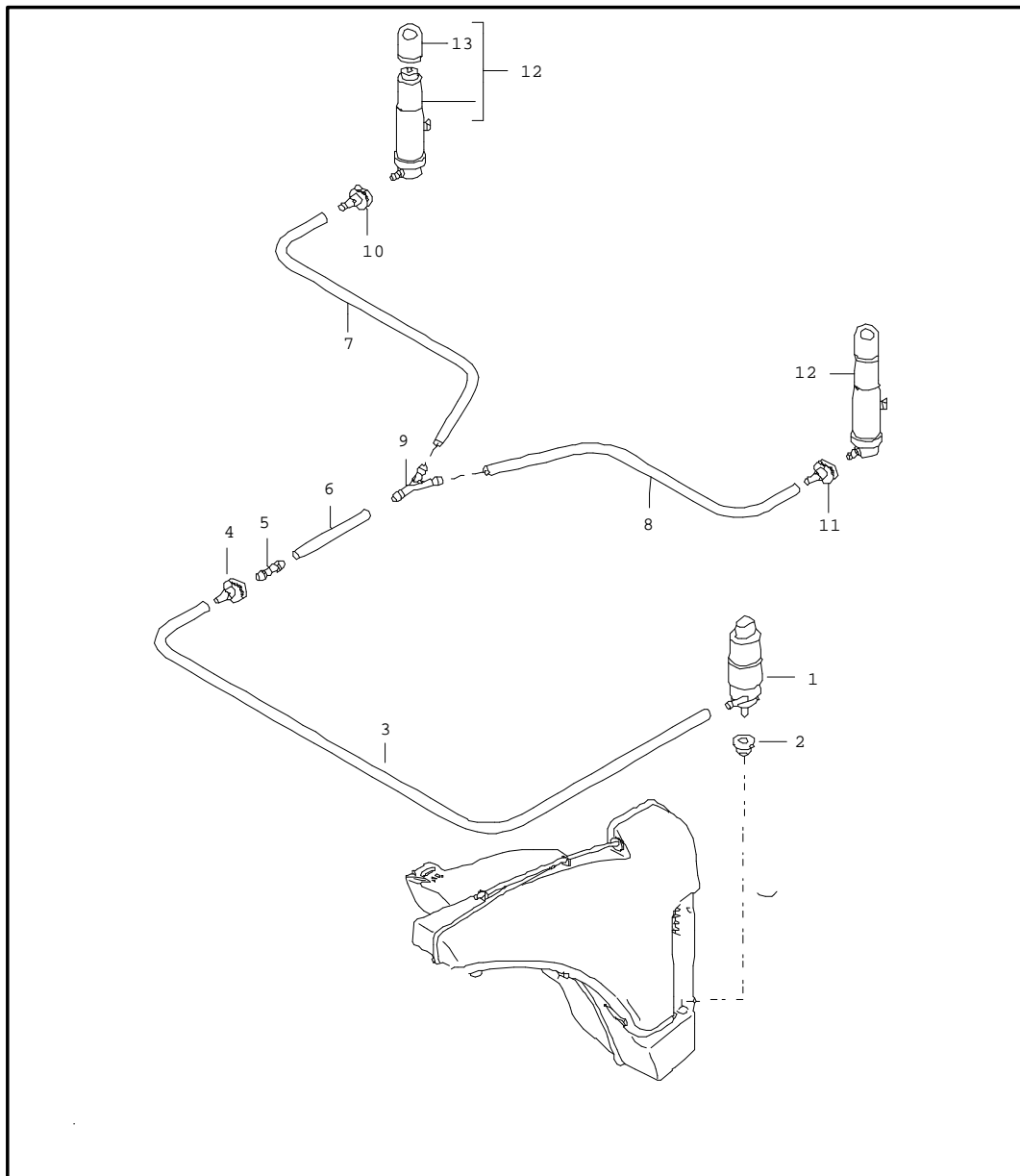


Pos	Part Number	Name	Remarks	Qty	Model
		windscreen washer system			
1	997 528 701 01	water reservoir		1	I288
(1)	997 528 701 00	water reservoir		1	
2	996 528 711 00	gasket		1	
3	997 528 605 00	filler neck		1	
4	996 528 607 00	cover		1	
5	997 528 621 00	strainer		1	
6	996 528 615 01	bracket		1	
-	999 137 091 40	socket repair material for bracket 996.528.615.01 M 6		X	
7	900 378 154 09	hexagon-head bolt AM 8 X 35 SB		1	
8	999 702 221 40	grommet		2	
9	997 628 182 00	pump		1	
10	431 955 465 B	gasket		2	
11	955 628 105 00	tank gauge		1	
12	955 528 721 00	gasket		1	
13	999 181 347 40	breather pipe 273 MM		*	
-	999 181 815 40	hose 5,0 X 2,5		*	
14	-	375 MM		1	
15	-	610 MM		1	
16	-	97 MM		1	
17	-	347 MM		1	
18	996 628 102 00	t-piece		1	
19	996 628 077 01	nozzle		2	

Model	Year	MG	SG	Illustration	Restrictions	Update	10:36	18.08.2004	PORSCHE	PET	PORSCHE
997	05	9	04	904-10		179					

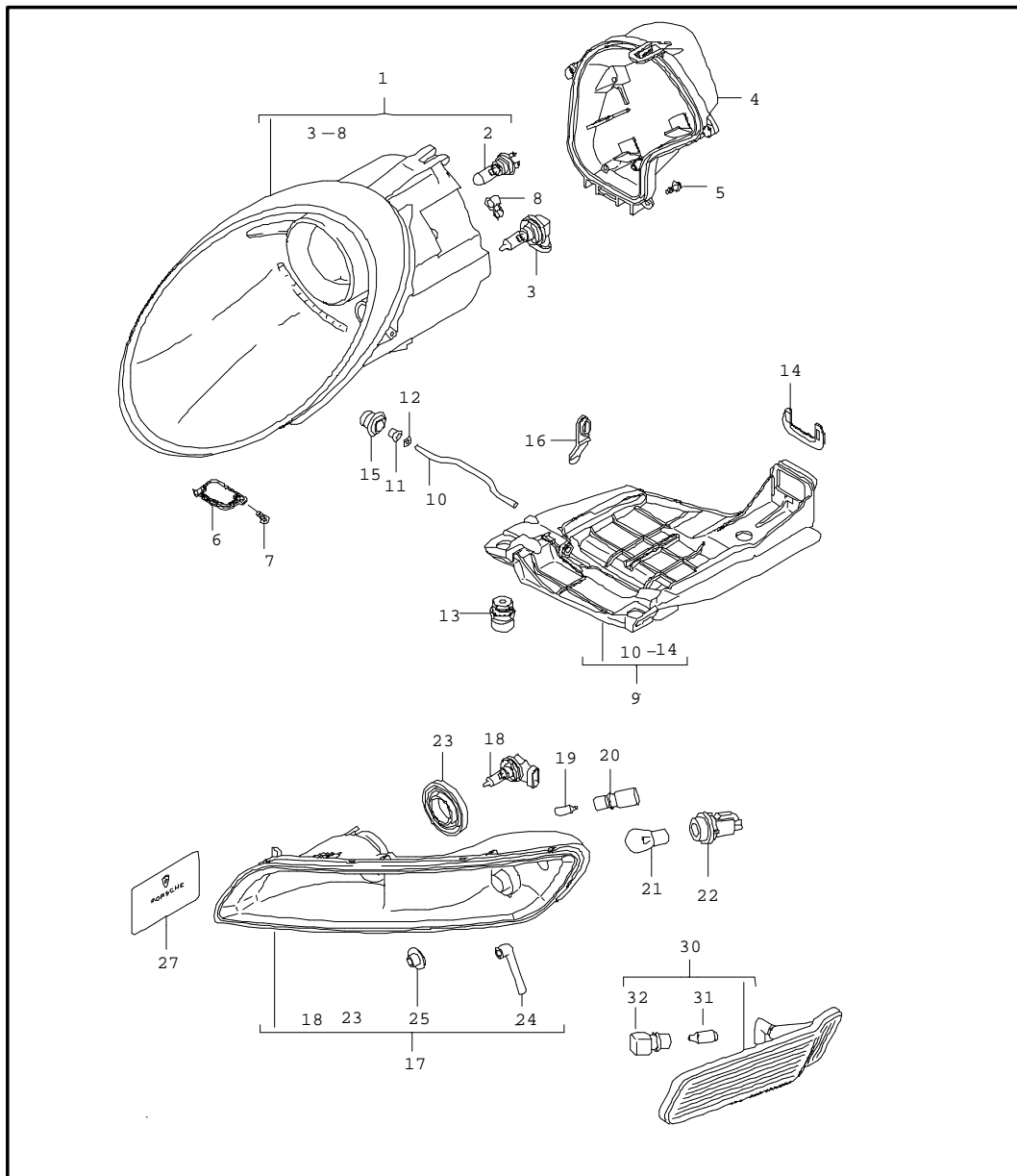
Pos	Part Number	Name	Remarks	Qty	Model	Pos	Part Number	Name	Remarks	Qty	Model
20	999 901 017 41	window cleaner 250 ML summer		X							
20	999 901 033 40	window cleaner 1000 ML winter		X							
- - - E N D - - -											

Model	Year	MG	SG	Illustration	Restrictions	Update	10:36	18.08.2004	PORSCHE	PET	PORSCHE
997	05	9	04	904-20		179					



Pos	Part Number	Name	Remarks	Qty	Model
		headlight washer system			I288
1	997 624 502 00	pump		1	
2	928 628 193 00	gasket		1	
-	000 043 204 79	hose 8 X 3		*	
3	-	890 MM		1	
4	996 628 204 00	quick-connecting lock		1	
5	997 628 208 00	hose connection		1	
-	999 181 760 40	hose 10 X 3		*	
6	-	440 MM			
7	-	80 MM			
8	-	1850 MM			
9	999 137 093 40	y-piece		1	
10	997 628 204 00	quick-connecting lock		1	
11	997 628 205 00	quick-connecting lock		1	
12	997 628 133 00	nozzle		2	
13	997 628 333 00	cap		2	
		- - - E N D - - -			

Model	Year	MG	SG	Illustration	Restrictions	Update	10:37	18.08.2004	PORSCHE	PET	PORSCHE
997	05	9	05	905-00		179					

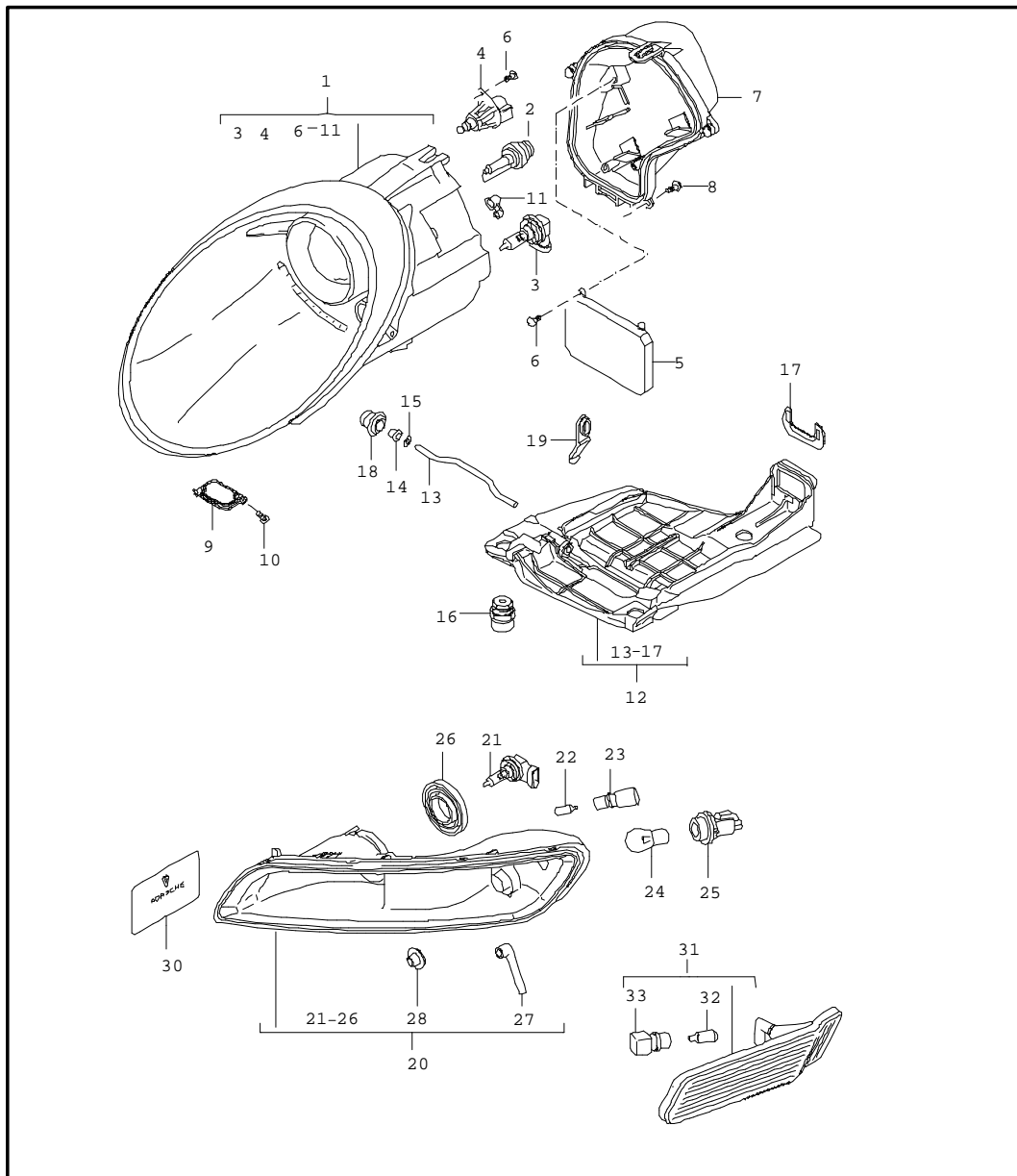


Pos	Part Number	Name	Remarks	Qty	Model
		headlamp additional headlamp side turn signal			
1	997 631 163 01	headlamp	/L	1	
1	997 631 164 01	headlamp	/R	1	
1	997 631 163 11	headlamp	/L	1	I492
1	997 631 164 11	headlamp	/R	1	I492
2	999 631 133 91	halogen bulb H 7		2	
3	999 631 143 90	halogen bulb H 9		2	
4	997 631 101 00	protective cap	/L	1	
(4)	997 631 102 00	protective cap	/R	1	
5	997 631 191 00	screw		8	
6	997 631 149 00	ventilation component	/L	1	
(6)	997 631 150 00	ventilation component	/R	1	
7	997 631 153 00	screw		4	
8	997 631 249 00	breather adapter		2	
9	997 631 073 00	mounting	/L	1	
(9)	997 631 074 00	mounting	/R	1	
10	997 631 273 00	clamping bow		2	
11	997 631 272 00	bearing sleeve		2	
12	900 116 004 09	lock washer		2	
13	997 631 194 00	fastening part		6	
14	997 631 245 00	locking device connector housing		2	
15	999 703 413 40	plug		2	
16	993 631 170 03	plug		6	
		additional headlamp			
17	997 631 081 01	additional headlamp	/L	1	

Model	Year	MG	SG	Illustration	Restrictions	Update	10:37	18.08.2004	PORSCHE	PET	PORSCHE
997	05	9	05	905-00		179					

Pos	Part Number	Name	Remarks	Qty	Model	Pos	Part Number	Name	Remarks	Qty	Model
(17)	997 631 082 01	additional headlamp	/R	1							
18	999 631 142 90	halogen bulb H 8		2							
19	999 631 033 90	bulb 5 W position light		2							
20	997 631 137 00	bulb holder position light		2							
21	900 631 021 90	bulb 21 W direction indicator light		2							
22	997 631 139 00	bulb holder direction indicator light		2							
23	997 631 145 00	cap		2							
24	997 631 147 00	breather adapter		2							
25	997 631 293 00	cover		4							
27	997 631 231 00	card for release additional headlamp BESTELLEN BEI: FA. ARVATO  side turn signal		1							
30	997 631 033 00	side turn signal	/L	1							
(30)	997 631 034 00	side turn signal	/R	1							
31	999 631 138 90	bulb 5 W yellow		2							
32	997 631 133 00	bulb holder		2							
		- - - E N D - - -									

Model	Year	MG	SG	Illustration	Restrictions	Update	10:37	18.08.2004	PORSCHE	PET	PORSCHE
997	05	9	05	905-01		179					



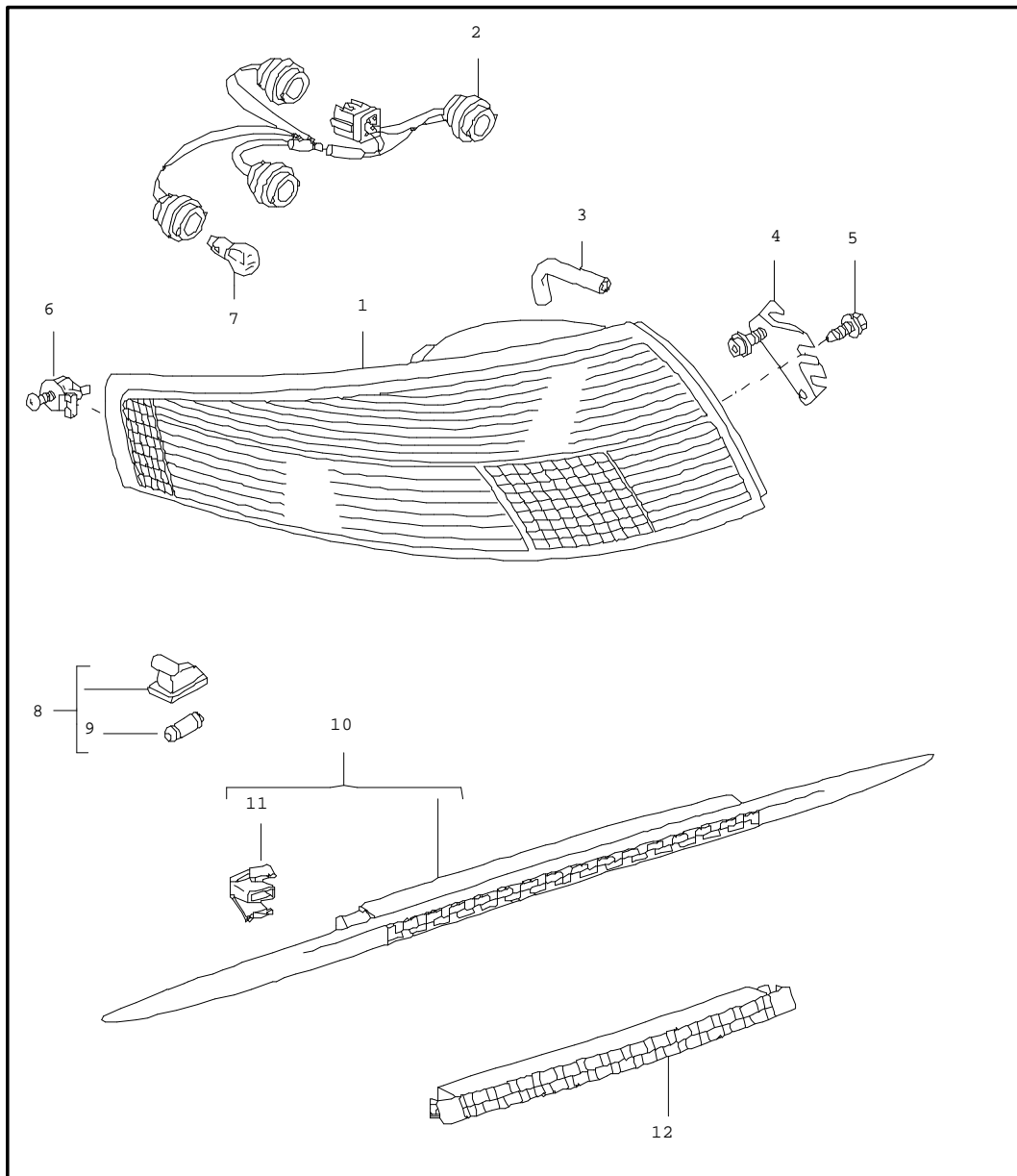
Pos	Part Number	Name	Remarks	Qty	Model
		headlamp additional headlamp side turn signal			I601
		headlamp without control unit and bulb XENON			
1	997 631 157 01	headlamp	/L	1	
1	997 631 158 01	headlamp	/R	1	
1	997 631 157 11	headlamp	/L	1	I492
1	997 631 158 11	headlamp	/R	1	I492
2	999 631 036 90	bulb - PHILIPS -		2	
3	999 631 144 91	halogen bulb H 11		2	
4	997 631 125 00	electric motor headlight levelling system	/L	1	
(4)	997 631 126 00	electric motor headlight levelling system	/R	1	
5	997 631 183 00	control unit		2	
6	997 631 199 00	screw		6	
7	997 631 101 00	protective cap	/L	1	
(7)	997 631 102 00	protective cap	/R	1	
8	997 631 191 00	screw		8	
9	997 631 149 00	ventilation component	/L	1	
(9)	997 631 150 00	ventilation component	/R	1	
10	997 631 153 00	screw		4	
11	997 631 249 00	breather adapter		2	
12	997 631 073 00	mounting	/L	1	
(12)	997 631 074 00	mounting	/R	1	
13	997 631 273 00	clamping bow		2	

Model	Year	MG	SG	Illustration	Restrictions	Update	10:37	18.08.2004	PORSCHE	PET	PORSCHE
997	05	9	05	905-01		179					

Pos	Part Number	Name	Remarks	Qty	Model	Pos	Part Number	Name	Remarks	Qty	Model
14	997 631 272 00	bearing sleeve		2		32	999 631 138 90	bulb 5 W yellow		2	
15	900 116 004 09	lock washer		2							
16	997 631 194 00	fastening part		6		33	997 631 133 00	bulb holder		2	
17	997 631 245 00	locking device connector housing		2				- - - E N D - - -			
18	999 703 413 40	plug		2							
19	993 631 170 03	plug		6							
		additional headlamp									
20	997 631 081 01	additional headlamp	/L	1							
(20)	997 631 082 01	additional headlamp	/R	1							
21	999 631 142 90	halogen bulb H 8		2							
22	999 631 033 90	bulb 5 W position light		2							
23	997 631 137 00	bulb holder position light		2							
24	900 631 021 90	bulb 21 W direction indicator light		2							
25	997 631 139 00	bulb holder direction indicator light		2							
26	997 631 145 00	cap		2							
27	997 631 147 00	breather adapter		2							
28	997 631 293 00	cover		4							
30	997 631 231 00	card for release additional headlamp order at: FA. ARVATO		1							
		side turn signal									
31	997 631 033 00	side turn signal	/L	1							
(31)	997 631 034 00	side turn signal	/R	1							

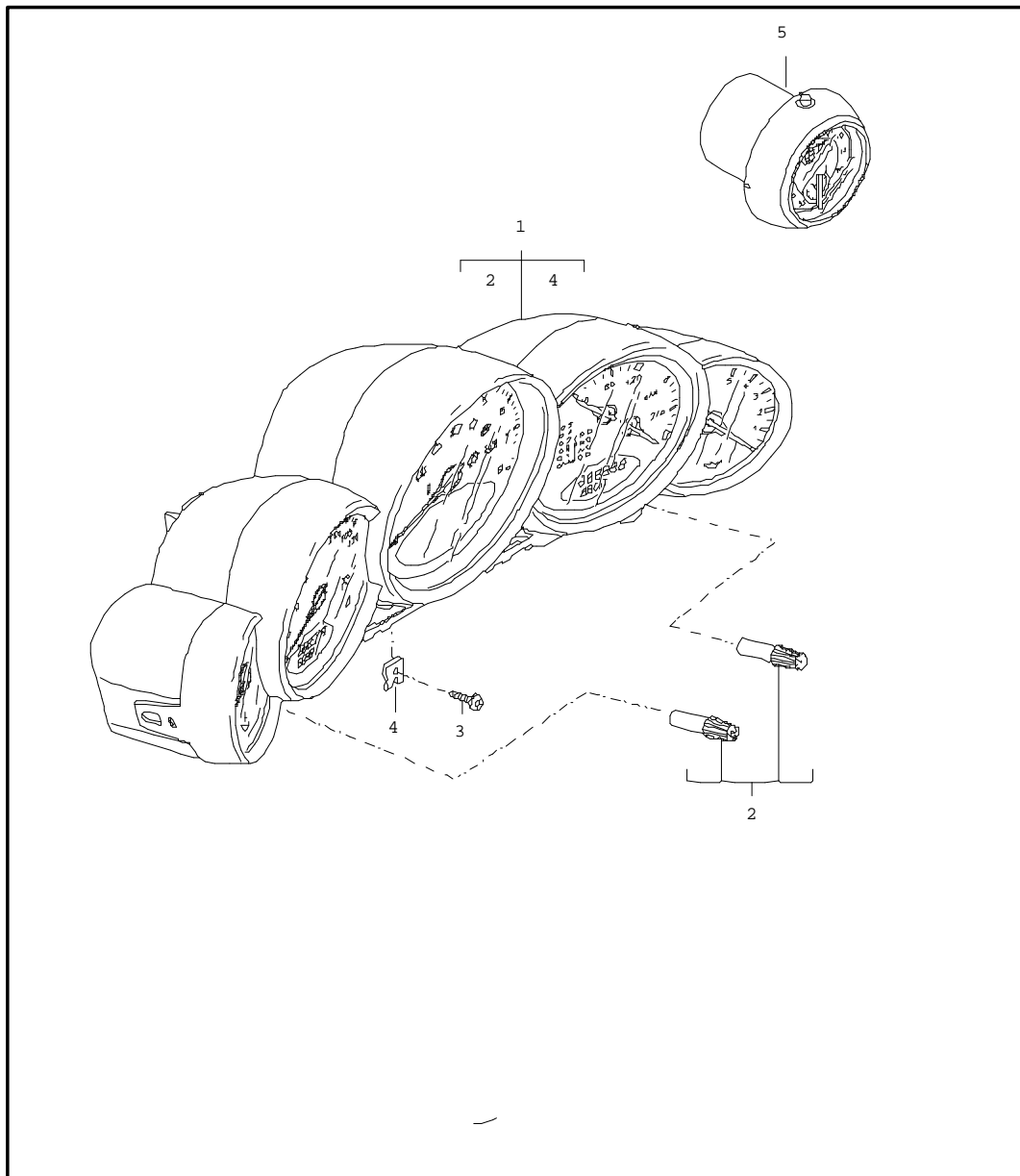


Model	Year	MG	SG	Illustration	Restrictions	Update	10:37	18.08.2004	PORSCHE	PET	PORSCHE
997	05	9	05	905-05		179					



Pos	Part Number	Name	Remarks	Qty	Model
		rear light license plate light additional stoplamp			
1	997 631 485 01	rear light housing	/L	1	
(1)	997 631 486 01	rear light housing	/R	1	
2	997 631 436 00	wiring harness		2	
3	997 631 451 00	breather adapter		4	
4	997 631 463 01	support	/L	1	
(4)	997 631 464 01	support	/R	1	
5	900 146 075 09	screw M 6 X 12		2	
6	997 631 471 00	mounting		2	
7	900 631 018 90	bulb 21 W white		X	
7	900 631 021 90	bulb 21 W yellow		X	
(7)	900 631 022 90	bulb 21/5 W		X	
7	900 631 017 90	bulb 21/4 W		X	
8	1J6 943 021 B	license plate light		2	
9	900 631 105 90	bulb 12V 5W		2	
10	997 631 050 02	additional stoplamp		1	COUPE
11	997 631 203 00	clip		6	
12	997 631 051 01	additional stoplamp in spoiler		1	
- - - E N D - - -					

Model	Year	MG	SG	Illustration	Restrictions	Update	10:37	18.08.2004	PORSCHE	PET	PORSCHE
997	05	9	06	906-01		179					

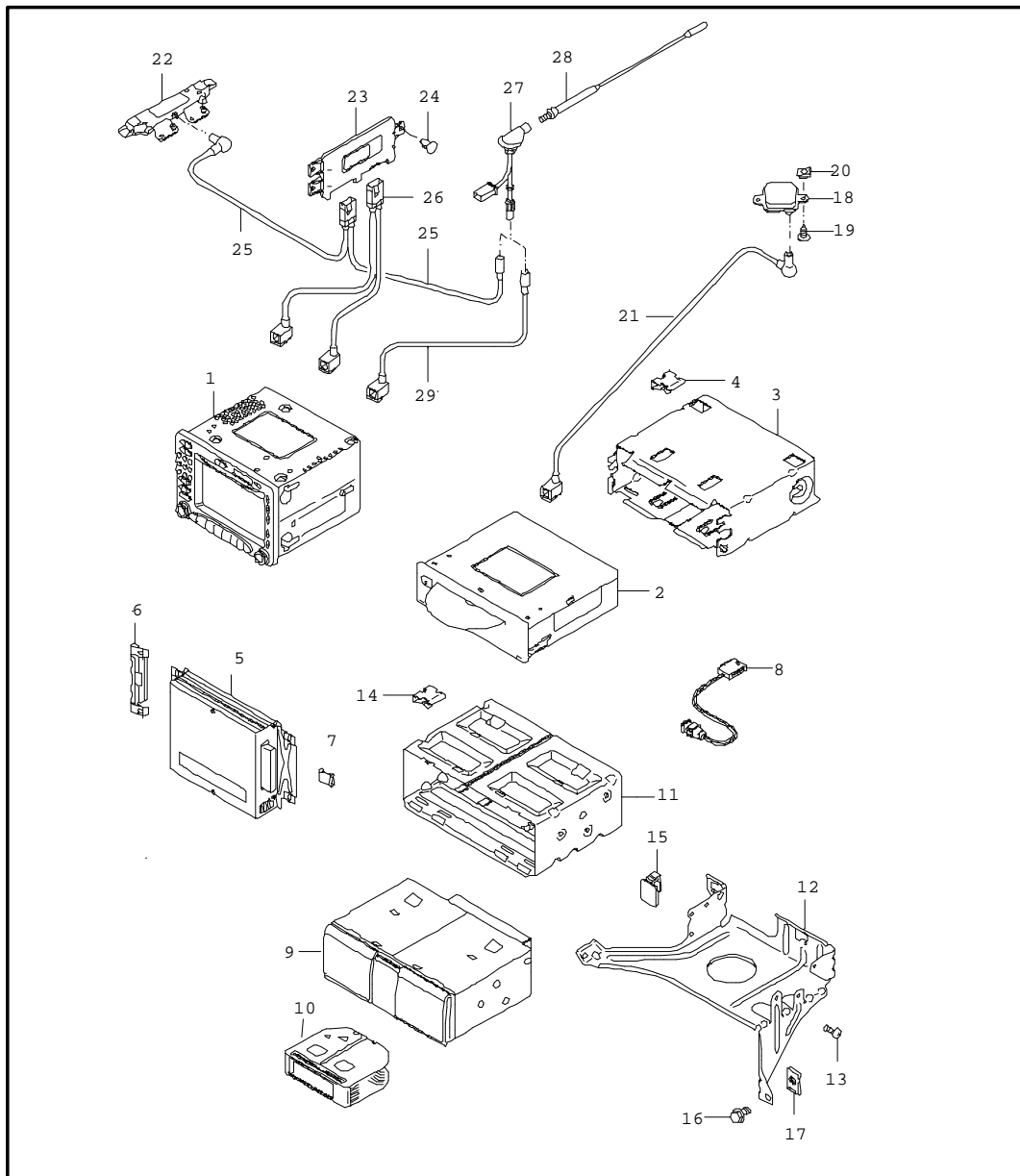


Pos	Part Number	Name	Remarks	Qty	Model
		instruments stopwatch			
(1)	N 997 641 105 03	instrument cluster complete		1	I022/480
		D07 volcano grey			
1	N 997 641 106 03	instrument cluster complete		1	I022/249
		D07 volcano grey			
(1)	997 641 107 03	instrument cluster complete		1	(GB) I022/ I480
		D07 volcano grey			
1	997 641 108 03	instrument cluster complete		1	(GB) I022/ I249
		D07 volcano grey			
(1)	N 997 641 115 03	instrument cluster complete		1	I023/480
		D07 volcano grey			
1	N 997 641 116 03	instrument cluster complete		1	I023/249
		D07 volcano grey			
(1)	997 641 117 03	instrument cluster complete		1	(GB) I023/ I480
		D07 volcano grey			
1	997 641 118 03	instrument cluster complete		1	(GB) I023/ I249
		D07 volcano grey			
(2)	997 641 911 00	knob actuator tripmeter and clock		1	

Model	Year	MG	SG	Illustration	Restrictions	Update	10:37	18.08.2004	PORSCHE	PET	PORSCHE
997	05	9	06	906-01		179					

Pos	Part Number	Name	Remarks	Qty	Model	Pos	Part Number	Name	Remarks	Qty	Model
3	999 073 339 09	oval-head screw 4,2 X 19		2							
4	999 507 403 02	u-clamp stopwatch		2							
5	997 641 301 03	stopwatch V05 galvano silver		1	I022/639/640						
(5)	997 641 311 03	stopwatch V05 galvano silver		1	I023/639/640						
		- - - E N D - - -									

Model	Year	MG	SG	Illustration	Restrictions	Update	10:38	18.08.2004	PORSCHE	PET	PORSCHE
997	05	9	11	911-00		179					

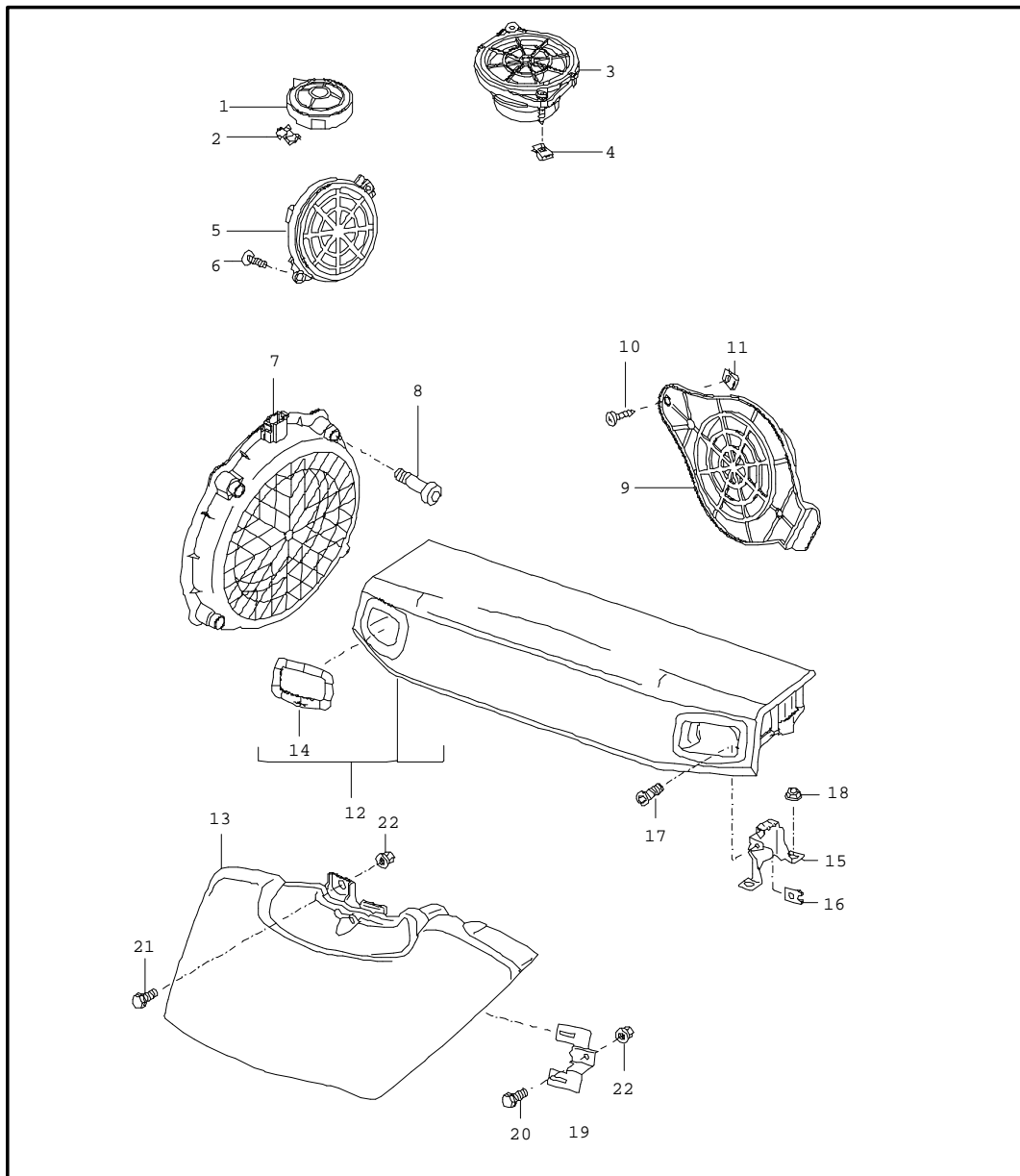


Pos	Part Number	Name	Remarks	Qty	Model
		radio control part navigation system booster			
		radio see catalogue T E Q U I P M E N T			
1	997 642 101 05	control part		1	I665
		FMH volcano grey/black mat			
(1)	997 642 103 05	control part		1	I665/680
		FMH volcano grey/black mat			
-	900 187 038 02	tapping screw ST4,2 X 19 for mount radio and control part centre console		1	
2	997 642 135 03	dvd device navigation system		1	I670
-	997 642 235 02	dvd navigation system		1	I610
-	997 642 239 02	dvd navigation system		1	I611
-	997 642 241 02	dvd navigation system		1	I612
-	997 642 243 02	dvd navigation system		1	I613
-	997 642 245 02	dvd navigation system		1	I614
3	997 642 231 00	support dvd device		1	I670
4	997 645 342 01	u-clamp		4	
5	997 645 331 01	booster		1	COUPE I490
(5)	997 645 333 04	booster		1	COUPE I680
6	997 645 340 00	clamp		1	I490/I680

Model	Year	MG	SG	Illustration	Restrictions	Update	10:38	18.08.2004	PORSCHE	PET	PORSCHE
997	05	9	11	911-00		179					

Pos	Part Number	Name	Remarks	Qty	Model	Pos	Part Number	Name	Remarks	Qty	Model
7	999 507 532 02	u-clamp		2	I490/I680	(25)	997 612 055 00	connecting line antenna booster control unit	/LL	1	I665
8	997 646 307 02	microphone		1	I680						
(8)	997 646 307 01	microphone		1	I618/666/680	(25)	997 612 056 00	connecting line antenna booster control unit	/RL	1	I665
9	997 645 140 02	cd changer CDC 4 adjustment installation attention		1	I692	(26)	997 612 058 00	connecting line control unit control part or radio		1	I665/I694 I665 I694
10	996 645 113 00	rack cd changer		1	I692						
11	997 645 222 00	support		1	I692	27	997 647 231 00	antenna base		1	COUPE I461
12	997 645 221 00	support		1	I664/692	28	997 647 233 00	antenna rod		1	COUPE I461
13	N 014 128 13	oval-head screw M 5 X 8		6	I692			- - - E N D - - -			
14	997 645 342 01	u-clamp		4	I692						
15	999 703 501 40	fastening part		2	I664/692						
16	900 378 179 09	hexagon-head bolt M 6 X 16		2	I664/692						
17	999 507 766 02	speed nut M 6		2	I664/692						
18	997 642 105 00	antenna GPS		1	I670						
19	999 073 210 00	tapping screw 4,8 X 13		1	I670						
20	999 507 441 02	speed nut 4,8		1	I670						
21	997 612 060 25	connecting line antenna dvd device navigation system		1	I670						
22	997 647 117 00	antenna booster	/L	1	I440						
(22)	997 647 118 00	antenna booster	/R	1	I440						
23	997 647 124 00	control unit		1	I440						
24	999 591 904 40	fastening part		2	I440						

Model	Year	MG	SG	Illustration	Restrictions	Update	10:38	18.08.2004	PORSCHE	PET	PORSCHE
997	05	9	11	911-05		179					

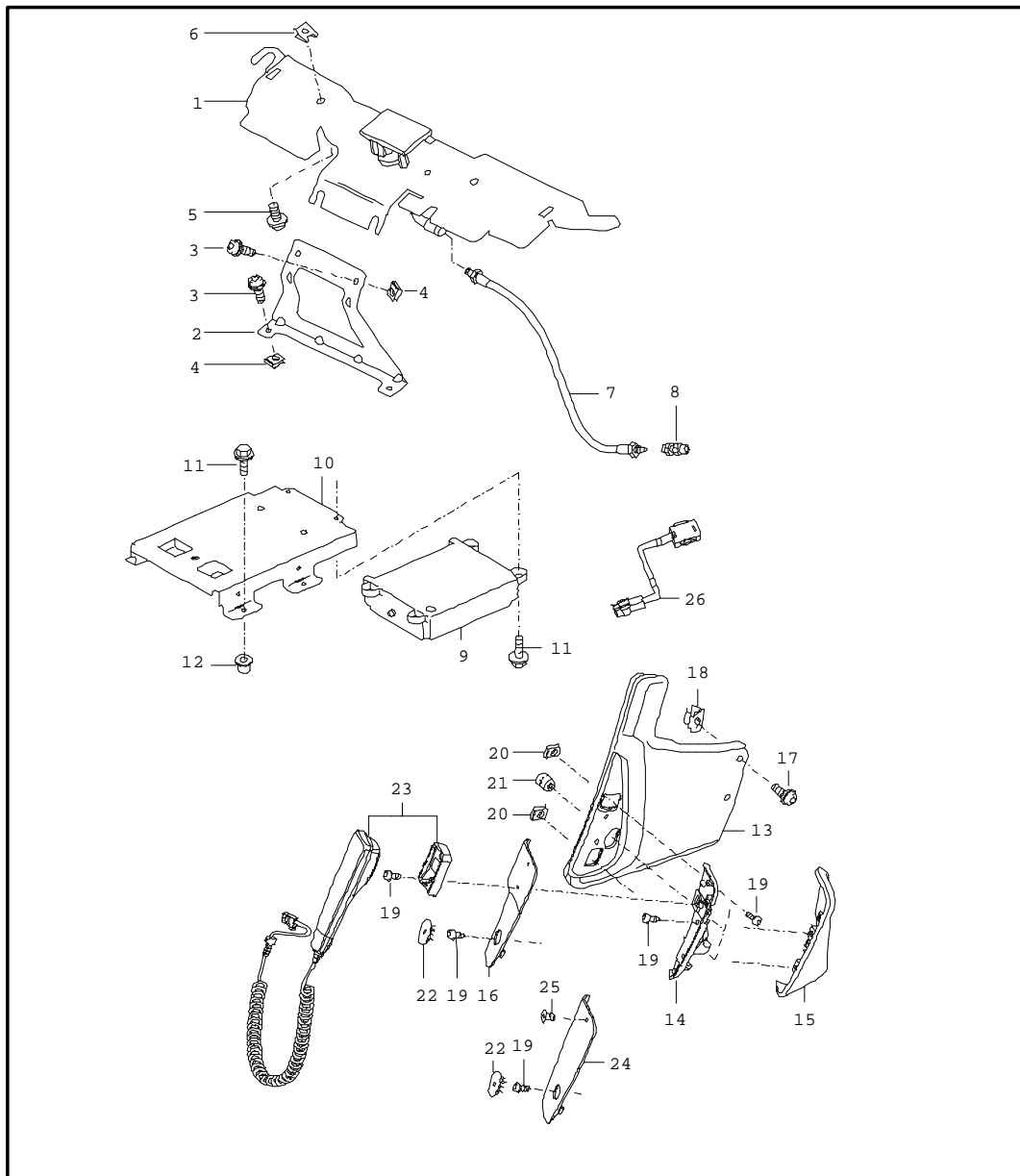


Pos	Part Number	Name	Remarks	Qty	Model
1	997 645 021 00	loudspeaker tweeter dashboard		2	I490
(1)	997 645 025 00	tweeter dashboard		2	I680
2	999 591 303 01	u-clamp		4	
3	997 645 033 00	loudspeaker dashboard centre		1	I490
(3)	997 645 035 00	loudspeaker dashboard centre		1	I680
4	999 507 971 01	speed nut 4,2		4	
5	997 645 543 00	mid-range loudspeaker door		2	I490
(5)	997 645 545 00	mid-range loudspeaker door		2	I680
6	999 919 164 09	oval-head screw 5,0 X 12		4	
7	997 645 553 00	woofer		2	I490
(7)	997 645 555 00	woofer		2	I680
8	N 014 743 2	pan-head screw M 6 X 30		8	
9	997 645 041 00	loudspeaker rear		2	I490
(9)	997 645 045 00	loudspeaker rear		2	I680
10	999 073 225 09	tapping screw 4,8 X 16		2	
11	999 507 441 09	speed nut 4,8		2	
12	997 645 564 00	subwoofer		1	COUPE I680
	FMP	black			

Model	Year	MG	SG	Illustration	Restrictions	Update	10:38	18.08.2004	PORSCHE	PET	PORSCHE
997	05	9	11	911-05		179					

Pos	Part Number	Name	Remarks	Qty	Model	Pos	Part Number	Name	Remarks	Qty	Model
	FMG	stone grey									
	FMM	sand beige									
	FMN	sea blue									
	FMO	palmgreen									
	FMP	terracotta									
	FMQ	cocoa									
	FMR	dark grey/natural									
	FMS	brown/natural									
14	996 645 568 00	rose		2	COUPE I680						
	A10	black									
	5V7	stone grey									
	5Z1	sand beige									
	8W7	sea blue									
	5Y2	palmgreen									
	8X8	terracotta									
	8P9	cocoa									
	T13	brown/natural									
(15)	996 645 245 00	support	/L	1	COUPE I680						
15	996 645 246 00	support	/R	1	COUPE I680						
16	999 507 766 02	speed nut M 6		2	COUPE I680						
17	999 073 113 09	oval-head screw M 6,0 X 50 ASP		2	COUPE I680						
18	900 380 015 09	hexagon nut VM 6		4							
		- - - E N D - - -									

Model	Year	MG	SG	Illustration	Restrictions	Update	10:38	18.08.2004	PORSCHE	PET	PORSCHE
997	05	9	11	911-10		179					



Pos	Part Number	Name	Remarks	Qty	Model
		telephone			I618/I666
1	997 647 125 01	antenna	/LL	1	
(1)	997 647 126 01	antenna	/RL	1	
2	997 647 127 00	support	/LL	1	
(2)	997 647 128 00	support	/RL	1	
3	999 073 236 0A	round head screw M 6 X 10		4	
4	999 507 550 0A	speed nut M 6		4	
5	999 073 210 00	tapping screw 4,8 X 13		2	
6	999 507 441 02	speed nut 4,8		2	
7	997 612 061 00	connecting line		1	I618
(7)	997 612 065 00	connecting line		1	COUPE I666
8	964 646 318 00	adapter plug		1	I618
9	997 646 207 01	control unit telephone		1	COUPE I666
10	997 642 216 00	support		1	I666
11	900 378 035 09	hexagon-head bolt M 6 X 16		4	I666
12	999 500 078 00	sheetmetal press nut M 6		2	I666
13	997 553 118 04	cover lateral	/LL	1	
	FSA	black/grey			
	FSB	stone grey/stone grey			
	FSC	sand beige/sand beige			
	FSD	seeblue/grey			
	FSE	palm-green/palm-green			
	FSF	terrakotta/terrakotta			



Model	Year	MG	SG	Illustration	Restrictions	Update	10:38	18.08.2004	PORSCHE	PET	PORSCHE
997	05	9	11	911-10		179					

Pos	Part Number	Name	Remarks	Qty	Model	Pos	Part Number	Name	Remarks	Qty	Model
	FSG	cocoa/cocoa					5X6	stone grey			
	FSH	darkgrey natural/grey					8G2	sand beige			
	FSJ	brown nat./brown nat.					3S9	sea blue			
(13)	997 553 117 04	cover lateral	/RL	1			4P2	palmgreen			
	FSA	black/grey					9S5	terracotta			
	FSB	stone grey/stone grey					9V6	cocoa			
	FSC	sand beige/sand beige					D12	dark grey/natural			
	FSD	seeblue/grey					T12	brown/natural			
	FSE	palm-green/palm-green				16	997 553 522 00	plate	/LL	1	I668
	FSF	terrakotta/terrakotta					01C	satin black			
	FSG	cocoa/cocoa				(16)	997 553 521 00	plate	/RL	1	I668
	FSH	darkgrey natural/grey					01C	satin black			
	FSJ	brown nat./brown nat.				17	999 073 226 09	tapping screw 4,2 X 16		2	
14	997 553 520 00	adapter	/LL	1		18	999 591 508 02	captive nut 4,2		2	
(14)	997 553 519 00	adapter	/RL	1		19	999 073 155 09	tapping screw 4,2 X 13		7	
15	997 553 418 01	cover	/LL	1		20	999 507 971 01	speed nut 4,2		2	
	A11	black				21	999 507 645 02	threaded piece 4,2		1	
	5X6	stone grey				22	997 553 751 00	cap		1	
	8G2	sand beige					01C	satin black			
	3S9	sea blue				23	996 642 212 01	receiver telephone		1	I668
	4P2	palmgreen				24	997 553 522 01	plate	/LL	1	I618
	9S5	terracotta					01C	satin black			
	9V6	cocoa				(24)	997 553 521 01	plate	/RL	1	I618
	D12	dark grey/natural					01C	satin black			
	T12	brown/natural					01C	satin black			
(15)	997 553 417 01	cover	/RL	1			01C	satin black			
	A11	black									

Model	Year	MG	SG	Illustration	Restrictions	Update	10:38	18.08.2004	PORSCHE	PET	PORSCHE
997	05	9	11	911-10		179					

Pos	Part Number	Name	Remarks	Qty	Model	Pos	Part Number	Name	Remarks	Qty	Model
25	999 919 230 00	countersunk-head screw 3 X 10		1	I618						
26	997 646 307 00	microphone		1	I618/I666						
(26)	997 646 307 01	microphone		1	I618/I666/ I680						
		- - - E N D - - -									

I XAA AEROKIT CUP  
I XCZ SWITCH TRAVEL SHORTENING  
I XD9 WHEEL PAINTED IN BODY COLOUR  
I XFD INSTRUMENT DIALS IN SAND BEIGE  
I XFE INSTRUMENT DIALS IN TERRAKOTTA  
I XFF INSTRUMENT DIALS IN BROWN/NATURAL  
I XFG INSTRUMENT DIALS IN GUARDS RED  
I XFH INSTRUMENT DIALS IN SPEEDYELLOW  
I XFJ INSTRUMENT DIALS IN CARRARA WHITE  
I XKD SIDE AIR VENT IN CARBON  
I XKJ DEFROSTER TRIM IN CARBON/LEATHER  
I XLF SPORTS EXHAUST SYSTEM  
I XMA ROOFLINING IN LEATHER  
I XME REAR SECTION OF CENTRE CONSOLE PAINTED  
I XMJ REAR SECTION OF CENTRE CONSOLE IN CARBON  
I XMP LEATHER SUN VISOR, 2 LIT MAKE-UP MIRRORS  
I XMP ILLUMINATED  
I XMR SUN VISOR IN LEATHER, 2 ILLUMINATED VANITY MIRRORS, MAP LIGHT  
I XMZ REAR SECTION OF CENTRE CONSOLE IN LEATHER  
I XNG INSTRUMENT SURROUND IN LEATHER  
I XN3 DASHBOARD SIDE AIR VENT IN LEATHER  
I XPA 3-SPOKE SPORTS STEERING WHEEL IN LEATHER INTERIOR COLOUR  
I XSC PORSCHE CREST EMBOSSED IN HEADREST  
I XSX SEAT BELTS IN GUARDS RED  
I XSY SEAT BELTS IN SPEED YELLOW  
I TTL DOOR FEATURES IN CARBON  
I XV1 DEFROSTER TRIM IN LEATHER  
I XX1 FLOOR MATS, LOGO, LEATHER BORDER  
I X69 DOOR ENTRY GUARDS IN CARBON WITH LOGO  
I X70 DOOR ENTRY GUARDS IN STAINLESS STEEL WITH LOGO  
I 022 BLACK-COLOURED INSTRUMENT DIALS  
I 023 silver-coloured instrument dials  
I 024 VERSION FOR GREECE  
I 029 STANDARD CHASSIS  
I 030 SPORT-TYPE RUNNING GEAR  
I 032 TOURING SUSPENSION  
I 034 VERSION FOR ITALY  
I 058 IMPACT ABSORBERS FRONT AND REAR  
I 061 VERSION FOR GREAT BRITAIN  
I 062 VERSION FOR SWEDEN  
I 063 VERSION LUXEMBURG  
I 064 VERSION FOR NETHERLANDS  
I 065 VERSION FOR DENMARK  
I 066 VERSION FOR NORWAY  
I 067 VERSION FOR FINLAND  
I 068 PAP RIGHT-HAND DRIVE VERSION  
I 069 OTHER COUNTRY VERSION  
I 071 EU COUNTRY VERSION  
I 072 VERSION FOR MEXICO  
I 073 VERSION FOR RUSSIA

I 074 PAP LEFT-HAND DRIVE VERSION  
I 098 LEFT-HAND DRIVE VERSION  
I 099 RIGHT-HAND DRIVE VERSION  
I 111 VERSION FOR AUSTRIA  
I 113 VERSION FOR CANADA  
I 114 VERSION FOR TAIWAN  
I 119 VERSION FOR SPAIN  
I 124 VERSION FOR FRANCE  
I 126 CONTROL AND INDICATIONS IN FRENCH LETTERING  
I 127 CONTROL AND INDICATIONS IN SCHWEDISCH  
I 130 CONTROL AND INDICATIONS IN ENGLISH LETTERING  
I 150 OPERATES WITH LEADED GAS  
I 193 VERSION FOR JAPAN  
I 197 STRONGER BATTERY  
I 210 LICENCE PLATE HOLDER VERSION 2  
I 211 LICENCE PLATE HOLDER VERSION 3  
I 215 VERSION FOR SAUDI ARABIA  
I 218 LICENCE PLATE HOLDER VERSION 4  
I 219 DIFFERENTIAL  
I 220 LOCKING DIFFERENTIAL 40 %  
I 225 VERSION FOR BELGIUM  
I 249 TIPTRONIC TRANSMISSION  
I 265 AUTOMATIC ANTI-DAZZLE INTERIOR MIRROR WITH RAIN  
I 265 SENSOR  
I 266 AUTOMATIC ANTI-DAZZLE EXTERIOR MIRROR  
I 267 AUTOMATICALLY DIMMABLE INTERIOR  
I 267 AND EXTERIOR MIRROR  
I 268 RAIN SENSOR  
I 270 OUTSIDE MIRROR -PLAN- DRIVER'S SIDE,  
I 270 ELECTRICALLY ADJUSTABLE AND HEATABLE  
I 271 OUTSIDE MIRROR -ASPHERICAL- DRIVER'S SIDE,  
I 271 ELECTRICALLY ADJUSTABLE AND HEATABLE  
I 273 OUTSIDE MIRROR,  
I 273 ELECTRICALLY ADJUSTABLE AND HEATABLE  
I 274 MAKE-UP MIRROR ILLUMINATED  
I 277 VERSION FOR SWITZERLAND  
I 288 HEADLAMP WASHER  
I 325 VERSION FOR SOUTH AFRICA/NEW ZEALAND  
I 335 AUTOMATIC SAFETY BELT, 3-POINT,  
I 335 REAR  
I 338 REAR-WHEEL DRIVE  
I 339 4-WHEEL DRIVE  
I 342 SEAT HEATING SYSTEM, LEFT/RIGHT SEAT  
I 369 SERIES SEAT, LEFT  
I 370 SERIES SEAT, RIGHT  
I 375 SPORTSEAT, BACKREST SHELL, LEFT  
I 376 SPORTSEAT, BACKREST SHELL, RIGHT  
I 392 17" CARRERA WHEEL  
I 402 CARRERA 3 WHEEL 18"  
I 403 CARRERA S WHEEL 19"

I405 CARRERA CLASSIC WHEEL 19"  
I406 CARRERA GT WHEEL 19"/20"  
I407 SPORTDESIGN WHEEL 19"  
I411 18" CARRERA-WHEEL  
I424 CD COMPARTMENT  
I425 REAR WINDOW WIPER  
I426 WITHOUT REAR WINDOW WIPER  
I431 MULTI-FUNCTION STEERING WHEEL, TOUCH & FEEL  
I432 STEERING WHEEL WITH TIPTRONIC CONTROL  
I435 SPORTS STEERING WHEEL  
I436 3-SPOKE AIRBAG STEERING WHEEL  
I437 COMFORT SEAT LEFT,  
I437 ELECTRICALLY ADJUSTABLE  
I438 COMFORT SEAT RIGHT,  
I438 ELECTRICALLY ADJUSTABLE  
I439 ELECTRICAL  
I439 ROOF CATCH  
I440 ANTENNA DIVERSITY  
I441 PREPARED FOR RADIO  
I446 CONCAVE HUB CAPE  
I446 WITH COLOURED ESCUTCHEON  
I447 EMERGENCY WHEEL  
I450 CERAMIC BRAKE (PCCB)  
I451 MULTI-FUNCTION STEERING WHEEL, MAKASSAR,  
I451 TOUCH & FEEL  
I452 MULTI-FUNCTION STEERING WHEEL, SYCAMORE WOOD,  
I452 TOUCH & FEEL  
I453 MULTI-FUNCTION STEERING WHEEL, CARBON, TOUCH & FEEL  
I454 AUTOMATIC SPEED CONTROL  
I459 3-SPOKE AIRBAG STEERING WHEEL, TOUCH & FEEL  
I460 SPORTS STEERING WHEEL, TOUCH & FEEL  
I461 ROD ANTENNA  
I465 REAR FOG LIGHT, LEFT  
I466 REAR FOG LIGHT, RIGHT  
I475 PASM ELECTRONIC DAMPER CONTROL  
I476 PORSCHE STABILITY MANAGEMENT (PSM)  
I479 VERSION FOR AUSTRALIA  
I480 6-SPEED MANUAL TRANSMISSION  
I482 TYRE PRESSURE MONITORING SYSTEM TPMS, 433 MHZ  
I483 315-MHZ RDK, TYRE PRESSURE MONITORING SYSTEM  
I484 VERSION FOR USA  
I488 INSCRIPTIONS IN GERMAN LANGUAGE  
I490 SOUND SYSTEM "ASK"  
I492 FOR LEFT-HAND TRAFFIC  
I498 WITHOUT VEHICLE-TYPE-LETTERING ON REAR END  
I499 VERSION FOR GERMANY  
I509 FIRE EXTINGUISHER  
I513 BACK-SUPPORT (LORDOSE) RIGHT SEAT  
I532 DELETED REMOTE CONTROL ANTI-THEFT DEVICE  
I533 RADIO CONVERTIBLE-TOP OPERATION OMITTED

I 534 THEFT SECURITY SYSTEM 433 MHZ  
I 535 THEFT SECURITY SYSTEM 315 MHZ  
I 536 ALARM SIREN AND TILT SENSOR  
I 537 SEATING POSITION CONTROL FOR  
I 537 CONFORT SEAT, LEFT  
I 538 SEATING POSITION CONTROL  
I 538 FOR CONFORT SEAT, RIGHT  
I 539 MECHANICAL SEAT-HEIGHT ADJUSTMENT LEFT  
I 540 MECHANICAL SEAT-HEIGHT ADJUSTMENT RIGHT  
I 549 ROOF RACK SYSTEM  
I 550 HARDTOP  
I 551 WIND DEFLECTOR  
I 553 VERSION FOR USA, CANADA  
I 562 AIRBAGDRIVER'S SIDE AND FRONT PASSENGER'S SIDE  
I 563 SIDE AIRBAG  
I 566 FOG-HEADLAMPS, WHITE  
I 567 WINDSHIELD TINTED, UPPER PART  
I 567 DARKER COLOURED  
I 571 ACTIVATED CHARCOAL FILTER  
I 573 AIR CONDITIONER  
I 574 WITHOUT AIR CONDITIONER  
I 581 CENTER CONSOLE FRONT  
I 586 BACK-SUPPORT (LORDOSE) LEFT SEAT  
I 601 XENON LIGHT  
I 602 ARAISED STOP LAMP  
I 606 DAYTIME RUNNING LAMP  
I 607 GARAGE DOOR OPENER "HOMELINK" 315MHZ  
I 608 GARAGE DOOR OPENER "HOMELINK" 433MHZ  
I 610 DVD NAVIGATION "PAKET EUROPA"  
I 611 DVD NAVIGATION SOUTH AFRICA  
I 612 DVD NAVIGATION MIDDLE EAST  
I 613 DVD NAVIGATION AUSTRALIA  
I 614 DVD NAVIGATION ASIA-PACIFIC  
I 618 PREPARATION OF TELEPHONE INSTALLATION  
I 620 E-ACCELERATOR  
I 625 KESSY PORSCHE ENTRY AND DRIVE  
I 635 PARKING ASSISTENT  
I 639 SPORTS CHRONO PACKAGE  
I 640 SPORTS CHRONO PACKAGE PLUS  
I 650 ELECTRICAL SLIDING ROOF  
I 651 ELECTRIC WINDOW OPENER  
I 652 WITHOUT SLIDING/TILTING ROOF  
I 657 POWER ASSISTED STEERING  
I 659 COMPUTER  
I 660 OBD 2  
I 661 STRICTER EMISSION-CONTROL CONCEPT  
I 664 ORVR  
I 665 PCM2 BASIC MODULE INCLUDING RADIO  
I 666 PCM2 TELEPHONE (GSM)  
I 668 PCM2 TELEPHONE HANDSET

I 670 PCM2 NAVIGATION  
I 680 BOSE SOUND PACKAGE  
I 685 REAR SEATS, DEVIDED  
I 689 PREPERATION OF CD-CHANGER  
I 692 CD-CHANGER "PORSCHE "  
I 694 CD-RADIO "PORSCHE CDR 24"  
I 801 MAKASSAR WOOD PACKAGE, DARK DULLED SATIN  
I 802 SYCAMORE WOOD PACKAGE, LIGHT DULLED SATIN  
I 803 CARBON PACKAGE  
I 936 SEAT COVERS REAR, LEATHER  
I 937 SEAT COVERS REAR, LEATHERETTE  
I 939 SEAT COVERS REAR, DRAPED LEATHER  
I 946 SEAT COVERS FRONT,  
I 946 LEATHER/LEATHER/LEATHERETTE  
I 981 LEATHER EQUIPMENT, WITHOUT SEAT COVERS  
I 982 SEAT COVERS FRONT,  
I 982 DRAPED LEATHER/LEATHER/LEATHER  
I 983 SEAT COVERS FRONT, LEATHER  
I 990 SEAT COVERS FRONT,  
I 990 CLOTH/CLOTH/LEATHERETTE  
I 999 PASSENGER COMPARTMENT MONITORING SENSOR  
I 999 FOR LEATHER COLOUR OF CHOICE

**PET  
V-PAGES**

Model	Year	MG	SG	Illustration	VIN No.	Update		
997	05	9	11	911-10		179	10:38	18.08.2004

TR203

THIS PARTS CATALOGUE CONTAINS ALL ORDER INFORMATION OF  
TYPE 997 FROM MODEL YEAR 2005

IT IS AVAILABLE IN TWO EDITIONS IN THE FOLLOWING LANGUAGES:

EDITION

USA, CANADA - \*

EDITION

ALL OTHER COUNTRIES - GERMAN

\* - ENGLISH

- FRENCH

- ITALIAN

- SPANISH

UPDATING IS BEING PERFORMED BY CHANGING OF UPDATE.

THE EDITION CAN BE RECOGNIZED BY THE CURRENT NO.  
IN THE BOTTOM LINE OF SUBJECT UPDATE.

THE PREVIOUS UPDATE SHOULD NO LONGER BE USED.

ALL ILLUSTRATIONS ARE SUBJECT TO CHANGE WITHOUT OBLIGATION.

THE SEATS FOR EACH MODEL ARE AVAILABLE IN THE PARTS CATALOGUE  
"SEATS (STZ 19)".



# PET V-PAGES

Model	Year	MG	SG	Illustration	VIN No.	Update	10:38	18.08.2004
997	05	9	11	911-10		179		

TR203

EXPLANATION OF THE ABRIDGED VERSION OF THE VEHICLE IDENT. NUMBERS (VIN)  
 =====  
 USED IN THE CATALOGUE  
 =====

DIGIT:	1	2	3	4	5	6	7	8	9	10	11	12	13	14	15	16	17
EXAMPLE:	W	P	0	Z	Z	Z	9	9	Z	5	S	7	0	0	1	2	5
							==			=	=	=					=====
							!			!	!	!					!
VEHICLE TYPE 1ST+2ND DIGIT-----+																	
										!	!	!					!
MODEL YEAR-----+											!	!					!
											!	!					!
MANUFACTURING LOCATION-----+												!					!
												!					!
VEHICLE TYPE 3RD DIGIT-----+																	!
																	!
SERIAL NUMBER-----+																	!

PORSCHE

# PET V-PAGES

PORSCHE

Model	Year	MG	SG	Illustration	VIN No.	Update		
997	05	9	11	911-10		179	10:39	18.08.2004

FR203

VEHICLE TYPE	MY	VIN	ENGINE TYPE
997 COUPE	05 5	995S7 00061>10000	M96.05 235 KW
997 COUPE (USA.CDN.MEX.BR)	05 5	995S7 15061>30000	M96.05 235 KW
997 COUPE S	05 5	995S7 30061>40000	M97.01 261 KW
997 COUPE S (USA.CDN.MEX.BR)	05 5	995S7 40061>50000	M97.01 261 KW

# PET V-PAGES

Model	Year	MG	SG	Illustration	VIN No.	Update		
997	05	9	11	911-10		179	10:39	18.08.2004

TR203

EXPLANATION OF THE MOTOR-NUMBERS USED IN THE CATALOGUE  
 =====

DIGIT:	1	2	3	4	5	6	7	8
EXAMPLE:	6	9	5	0	0	1	3	6
	=	=	=	=====				
				!	!	!		!
ENGINE TYPE (6 = 6-CYL.-ENGINE)-----+				!	!			!
				!	!			!
ENGINE VERSION-----+								!
								!
MODEL YEAR-----+								!
								!
SERIAL NUMBER-----+								!

PORSCHE

# PET V-PAGES

PORSCHE

Model	Year	MG	SG	Illustration	VIN No.	Update		
997	05	9	11	911-10		179	10:39	18.08.2004

MR203

VEHICLE TYPE	ENGINE TYPE	MY	ENGINE NO.	TECHNICAL DATA
997 COUPE	M96.05	05 5	695 00501>20000	6ZYL/3,6L /235 KW
997 COUPE S	M97.01	05 5	685 00501>60000	6ZYL/3,8L /261 KW

# PET V-PAGES

Model	Year	MG	SG	Illustration	VIN No.	Update	10:39	18.08.2004
997	05	9	11	911-10		179		

TR203

EXPLANATION OF THE TRANSMISSION-NUMBERS USED IN THE CATALOGUE

=====

DIGIT:		1	2	3	4	5		6	7	8	9	10	11
EXAMPLE:		G	9	7	0	1		1	0	0	5	4	3
		=	=====					=	=====				
		!		!				!			!		!
		!		!				!			!		!
TRANSMISSION TYPE-----+				!				!			!		!
TRANSMISSION VERSION-----+								!			!		!
								!			!		!
INDEX OF VARIANTS-----+											!		!
											!		!
SERIAL NUMBER-----+												!	!

PORSCHE

# PET V-PAGES

PORSCHE

Model	Year	MG	SG	Illustration	VIN No.	Update		
997	05	9	11	911-10		179	10:39	18.08.2004

GR203

VEHICLE TYPE	TYPE	MY	TRANSMISSION NO.	TECHNICAL DATA
997 CARRERA	G97.01	05 5	G9701 1 002001>999999	6-GANG
997 CARRERA TIPTRONIC	A97.01	05 5	A9701 1 002001>999999	5-GANG

# PET V-PAGES

Model	Year	MG	SG	Illustration	VIN No.	Update	10:39	18.08.2004
997	05	9	11	911-10		179		

TR203

LEGENDS AND NOTICES  
=====

IN COLUMN -S- STATUS  
-----

- N NEW ADDITION
- P PART ALREADY IN PROGRAMME, BUT NEW AT THIS APPLICATION
- W DELETED AT THIS APPLICATION, BUT CONTINUED TO BE CARRIED
- A STOCK TO BE USED UP
- U DELETED WITHOUT REPLACEMENT
- \* PART ALSO OR ONLY AVAILABLE IN REPAIR KIT
- > ALSO AVAILABLE IN EXCHANGE

IN COLUMN - ILL. -  
-----

- 1 IDENTIFICATION NO. IN ILLUSTRATION
- (1) PART ONLY SIMILAR AS ILLUSTRATED
- PART IS NOT ILLUSTRATED

FIG.-NUMBERS FOR WHICH THERE IS SHOWN NO TEXT ARE NOT VALID FOR THIS EDITION OF CATALOGUE

IN COLUMN -PART NUMBER/CODE-  
-----

000 000 000 00 PART NUMBER EQUALS ORDERING NO., IF A CODE IS SHOWN, IT WILL HAVE TO BE PART OF ORDERING NUMBER

01C COLOUR CODE

IN COLUMN -TEXT  
-----

INSTALLATION WITH ENGINE OR CHASSIS NUMBER-RANGE

EXAMPLE:

M 695 00389>> FROM ENGINE NO.  
F >>995S7 00889 UP TO CHASSIS NO.

# PET V-PAGES

Model	Year	MG	SG	Illustration	VIN No.	Update	10:39	18.08.2004
997	05	9	11	911-10		179		

TR203

IN COLUMN - A -  
-----

IDENTIFICATION LETTER FOR PERIOD OF INSTALLATION  
THAT IS REPEATED SEVERAL TIMES IN THE CATALOG GROUP.

EXPLANATION PLEASE FIND IN TEXT COLUMN OF THE CATALOG GROUP

IN COLUMN - QU - = NO. OF PIECES  
-----

1 NUMBER PER APPLICATION

X NUMBER AS NEEDED

\* AVAILABLE ONLY IN RUNNING LENGTHS 1 = 1 METRE

IN COLUMN - MODEL/SYMBOL -  
-----

M650 OPTIONAL EQUIPMENT - SEE M-NO. LIST

-98 LIMITATION OF MODEL YEAR FOR INSTANCE: VALID UP TO  
END OF MODEL YEAR 1997

/LL LHD

/RL RHD

/V FRONT I  
I

/H REAR I  
I----> APPLIES TO

/L LEFT I DIRECTION OF TRAVEL  
I

/R RIGHT I  
-----+

WW THE PART CAN BE USED INSTEAD OF THE  
PRECEDING ONE.



# PET V-PAGES

Model	Year	MG	SG	Illustration	VIN No.	Update	10:40	18.08.2004
997	05	9	11	911-10		179		

TR203

EQUIPMENT BY COUNTRY REGULATIONS  
=====

- (A) AUSTRIA
- (AG) ARABIAN GULF STATES
- (AUS) AUSTRALIA
- (B) BELGIUM
- (BR) BRAZIL
- (CDN) CANADA
- (CH) SWITZERLAND
- (CN) PEOPLE'S REPUBLIC OF CHINA
- (D) FEDERAL REPUBLIC OF GERMANY
- (DK) DENMARK
- (E) SPAIN
- (F) FRANCE
- (GB) GREAT BRITAIN
- (GR) GREECE
- (HK) HONGKONG
- (I) ITALY
- (J) JAPAN
- (L) LUXEMBURG
- (N) NORWAY
- (NL) NETHERLANDS
- (NZ) NEW ZEALAND
- (P) PORTUGAL
- (RC) TAIWAN
- (THA) THAILAND
- (S) SWEDEN
- (SA) SAUDI ARABIA
- (SF) FINLAND
- (USA) UNITED STATES OF AMERICA
- (ZA) SOUTH AFRICA